



Telehook Mobile TV Cart | Powered TH-EMC

Designed for Displays from 32" to 65"

The Atdec mobile cart is designed for display, presentation and training functions. It is compatible with large flat-screen TV's and features integrated mounting support for Audio Visual and computing equipment. High quality casters enable easy relocation while a powered lifting system provides for OH&S compliant height adjustment.

The TH-EMC is perfect for events, education and video conference applications. It is also a great solution for entry halls, government offices and heritage buildings. Quality styling has been matched with quality components and superior functionality. The display head is fully adjustable so no matter what the installation situation, your audience will receive the best possible presentation experience.

- Universal compatibility up to 800x450mm
- Medium weight LCD/LED/Plasma compatibility
- Tilt and Pan adjustable display head
- 450mm (17.7") of motor driven height adjustment



Product key features:

- Supports flat screen displays up to 50Kg (110lbs)
- Supports displays with mounting patterns from 200x200mm up to 800x450mm
- Motor driven height adjustment from 1m to 1.45m (39.3" to 57") with dual remote controls and an integrated safety sensor
- Head unit can be tilted forward up to 10° and panned +/- 15° left and right
- Removable A/V / PC equipment shelf with three height settings
- Integrated cable and power management
- Removable head unit allows for easy display mounting
- Attachment locking covers provide added display security
- Supplied with display mounting hardware and installation guide



Motorized height adjustment

Dual hand-held cabled and infra-red remote controls

Removable display mounting head with tilt and pan adjustment

Integrated Cable management

Integrated safety sensor guards against hand crush

Adjustable equipment shelf

Power board holder (at rear)

Lockable easy-glide casters



Product information, single unit

Product Code	Load capacity	Material	Style
THEMC	50kg (110lbs) max	Steel superstructure with glass shelf	Matt Charcoal/ Black

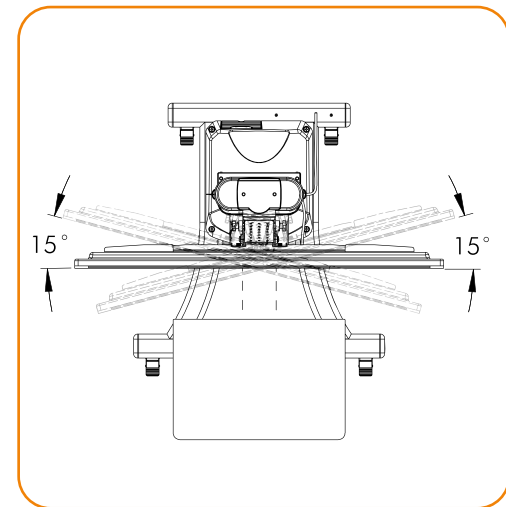
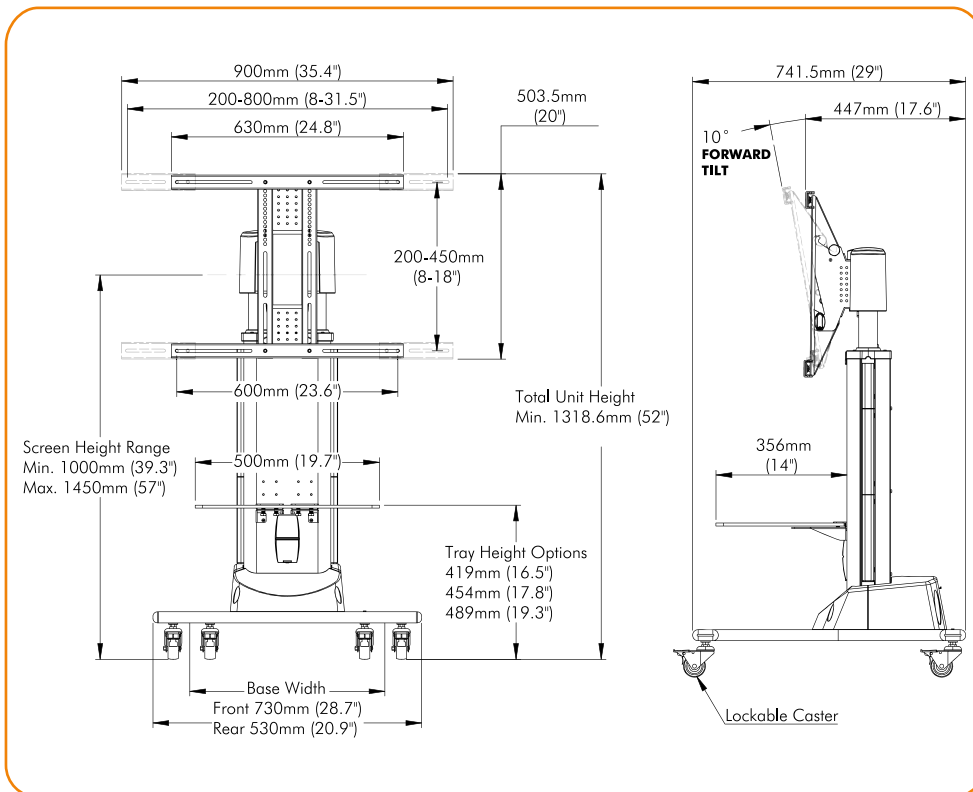
Package information, single unit

Size (L x W x H)	Ship weight	UPC code	Contents
880mmx190mmx70mm (34.6"x7.5"x2.8")	59.2kg (132lbs)	881493006782	Main unit (partially disassembled), A/V shelf, shelf brackets x 2, display bracket extensions x 4, power transformer, wired & wireless remote controls, M4x8/M8x16/M8x25 display mounting screws, cable covers and screw spacers

Package information, master pack

Size (L x W x H)	Ship weight	UPC	Units per master pack
N/a	N/a	N/a	N/a

Technical drawings



Power Requirements and Compliance:
120V AC @ 60Hz,
3A 2pin Power Plug

Atdec mounts are designed, developed and tested in Australia. We manufacture an extensive range of display and projector mountings for a variety of user types and situations. While all efforts have been made to ensure the information in this brochure was correct as of the date of printing, we reserve the right to change specifications without notice. Please refer to the web site for our full range along with the latest details on specifications, compatibility and dealer location. atdec and telehook are registered trademarks with all rights reserved.
Copyright Mar 2011 V1.0



Atdec Global www.atdec.com.au
Atdec North America www.atdec.com

