



Slim wall mount | Tilt Adjustable TH-3060-UT



Suits mounting hole patterns 100-600mm (4-23.5") W x 75-405mm (3-16") H



Flexible wall mount



Suits displays up to 50kg (110lbs)



Detachable mounting head



User adjustable tilt



Enhanced security support



User adjustable horizontal position

This mounting solution is designed to suit the latest range of mid weight flat screens. It features a quality steel construction with a slim profile and a sleek matt black finish. It can be installed on walls in a variety of environments and is easy to set up. The display bracket allows for height and horizontal adjustment during installation as well as tilt and horizontal adjustment post installation. The detachable bracket allows the display to be easily cabled before being lifted and slotted into place. For added security the the bracket can be locked to the wall plate**.

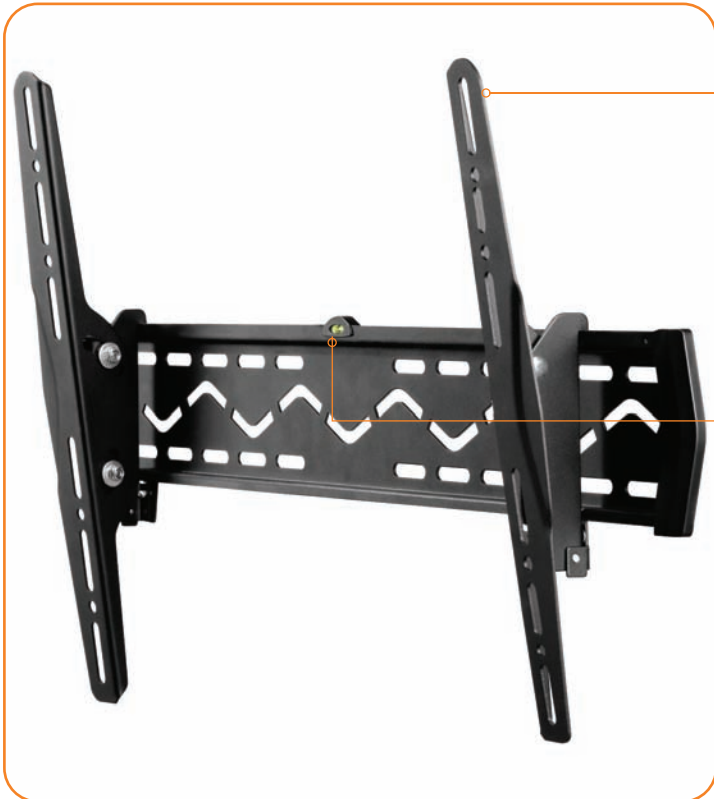


Product key features:

- Quality steel construction with a durable powder coat finish
- Designed for displays of up to 50Kg / 110lbs with mounting patterns from 100x75mm to 600x405mm
- Designed for easy installation with in-built spirit level and slotted mounting holes for alignment
- Designed for flexible operation with adjustable horizontal positioning post-installation.
- Provides for optimum viewing +15/-5° forward and backward tilt*
- Designed for enhanced safety with a lockable** display bracket
- Suitable for attachment to timber stud and masonry walls***
- Supplied with mounting hardware and installation guide.



Detachable display brackets allows for easy installation and provide up to 20° of tilt adjustment*



Quality steel construction with slotted holes for easy installation and adjustment



Bracket can be locked for added display security**



Integrated spirit level for easy installation alignment



* Maximum adjustment is 15 degrees forward and 5 degrees back. Larger displays may have a reduced adjustment due to the screen/bezel overhang
 ** Lock not included
 *** Drywall / plasterboard attachment is possible however additional dry wall anchors will be required (see your hardware supplier).



Atdec Global www.atdec.com.au
 Atdec North America www.atdec.com

Product information

Load capacity	Material	Style
50kg (110lbs) Max	Steel	Matt Black

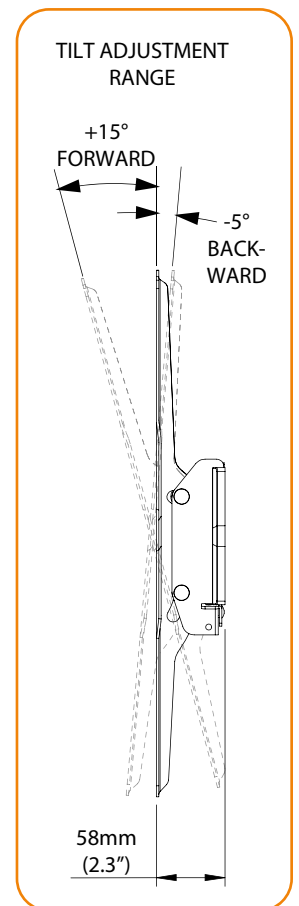
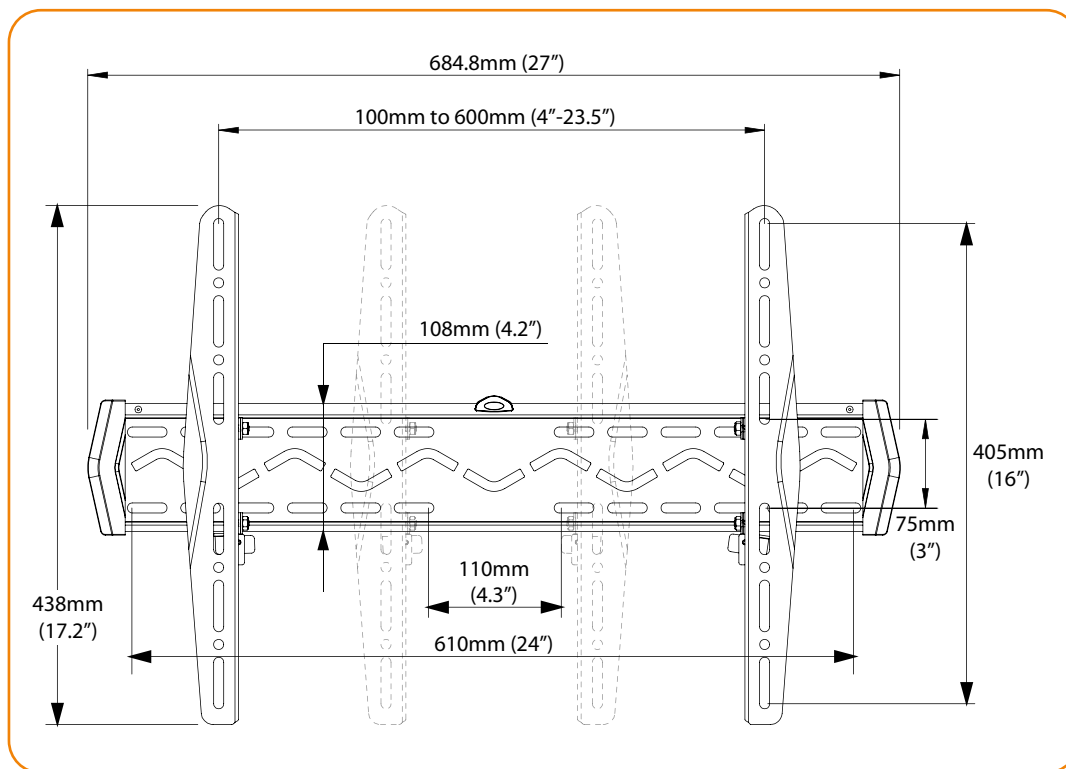
Package information, single unit

Size (L x W x H)	Ship weight	UPC code	Contents
711mmx137mmx74mm (28"x 5.4"x 2.9")	2.5kg (5.4lbs)	881493006904	wall plate, display brackets (x2), wall mounting screws, wall plugs, display mounting screws and spacer adaptors

Package information, master pack

Size (L x W x H)	Ship weight	UPC	Units per master pack
716mmx284mmx307mm (28.2"x 11.2"x 11.1")	20.6Kg (45.2lbs)	881493006928	10

Technical drawings



Related Products:

TH-3060-UF	Slim fixed mounting
TH-3060-LPT	Ultra-slim tilt adjustable mounting
TH-3070-UT	Fixed mounting for large/ heavy screens

Atdec mounts are designed, developed and tested in Australia. We manufacture an extensive range of display and projector mountings for a variety of user types and situations. While all efforts have been made to ensure the information in this brochure was correct as of the date of printing, we reserve the right to change specifications without notice. Please refer to the web site for our full range along with the latest details on specifications, compatibility and dealer location. Atdec and Telehook are registered trademarks with all rights reserved. Copyright Aug 2011 V2.0



Atdec Global www.atdec.com.au
Atdec North America www.atdec.com