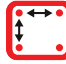











Full Motion | Large swing arm **TH-3060-SAU**

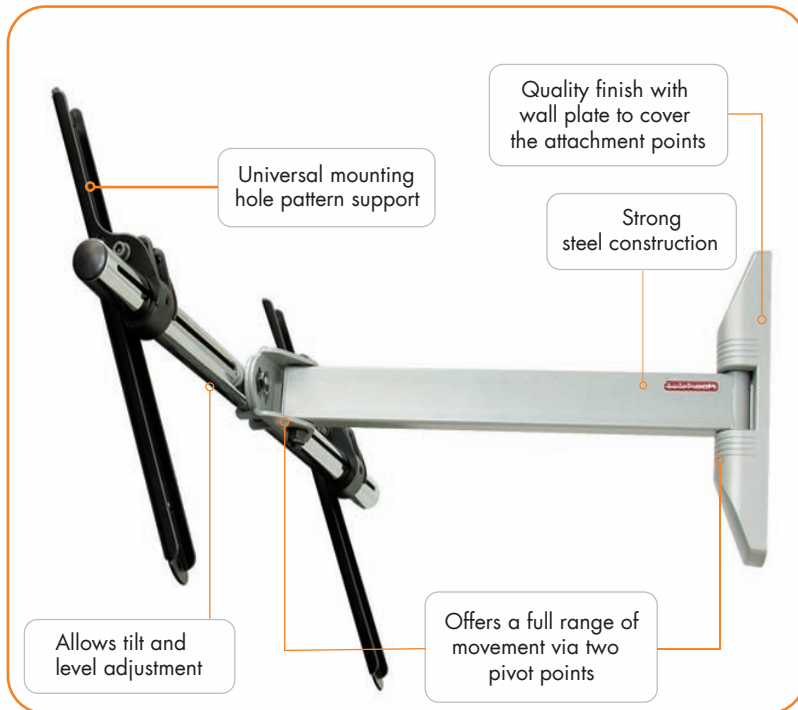
-  Suits mounting hole patterns 180-685mm (7-27") W x 100-430mm (4-17") H
-  Flexible wall mount
-  Suits displays up to 65kgs (143lbs)
-  Swing arm wall extension
-  Adjustable tilt and pan
-  Detachable mounting head
-  Allows horizontal position adjustment
-  Enhanced security

The Telehook Large Swing Arm is a flexible wall mount which combines a high weight capacity with superior operational flexibility and enhanced security support. The Full Motion design allows the display to be extended from the wall and rotated to the required viewing position. The removable display bracket features Universal mounting hole support for compatibility with the widest range of monitors and television screens. The bracket allows fine levelling adjustment and supports locking for added security with public area installation. Once installed you're guaranteed a quality professional finish with a sleek look and a stylish dress cover that hides the wall plate.



Product key features:

- Suits a wide range of installation and usage situations
- Swing design enables wall extension from 100mm (4") to 554mm (22")
- Allows 180° rotation at the wall and 180° at the display head
- Detachable mounting head enables easy installation and maintenance with support for physical locking (lock not included)
- Allows tilt adjustment from -5° to +25°.
- Allows +/-5° horizontal adjustment for screen levelling
- Comes with mounting hardware to enable masonry or timber stud wall installation
- Durable construction with 10 year warranty



Atdec Global www.atdec.com.au
Atdec North America www.atdec.com

Product information, single unit

Model code	Load capacity	Material	Color
TH-3060-SAU	65kg (143lbs)	All steel construction with chrome & powder-coat finish, plastic trim	Matt/polished silver with black brackets

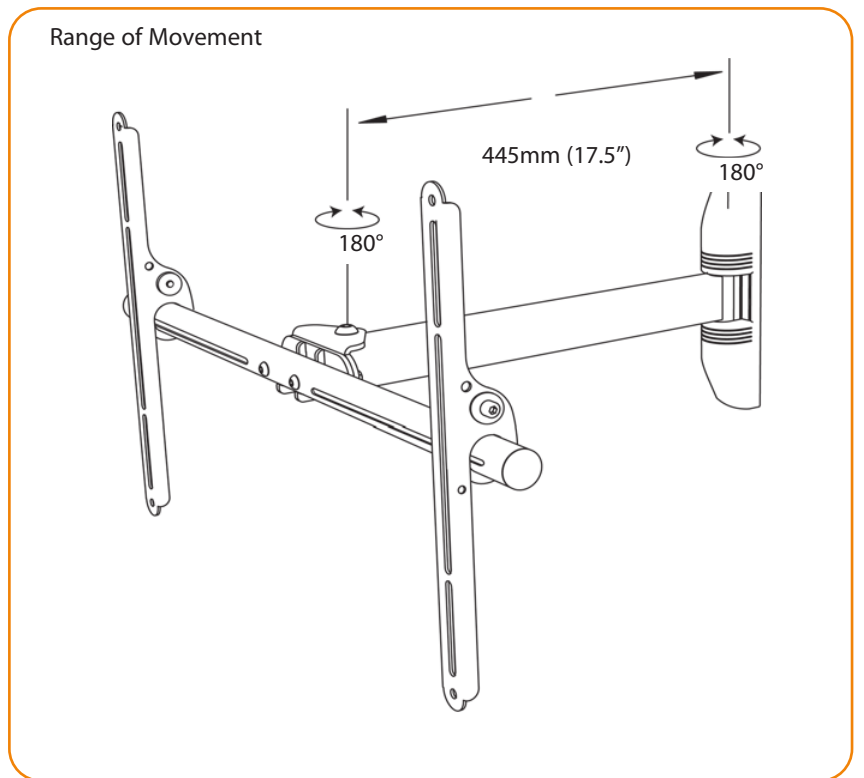
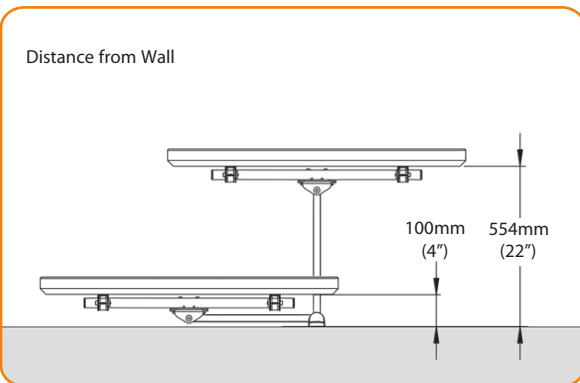
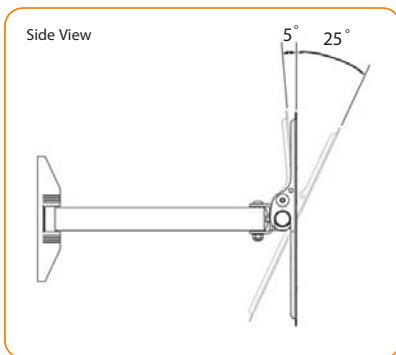
Package information, single unit

Size (W x H x D)	Ship weight	UPC code	Contents
840 x 330 x 70mm (32.8" x 12.9" x 2.7")	7.5kg (16.5lbs)	881493004801	Mount (pre-assembled) with wall cover, security screw, install guide, install templates, display and wall attachment hardware

Package information, master pack

Size (W x H x D)	Ship weight	UPC	Units per master pack
(33.9" x 13.7" x 6.6")	16kg (35.2lbs)	881493004870	2

Technical drawings



Other models in this range

TH-1032-VF	Low weight Full Motion swing arm
TH-1040-VF	Low weight Full Motion articulated arm
TH-2050-VF	Medium weight Full Motion articulated arm
TH-3270-UF	High weight articulated arm