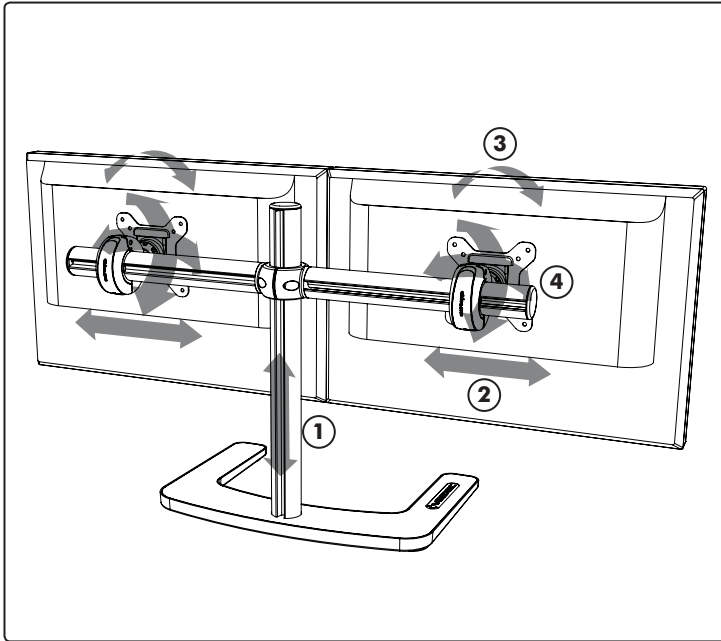


General Features



Display Compatibility:

Visidec Freestanding Double Horizontal is compatible with most Flat Panel Displays between 12" (30cm) and 24" (61cm) that feature either 75mm x 75mm or 100mm x 100mm VESA mounting hole patterns.

Display Weight Compatibility:

Each Quickshift Donut supports a maximum weight of 12kg (26.5lbs)

Cable Management:

Cable Slot, Cable Clips and Cable Balls (included in package)

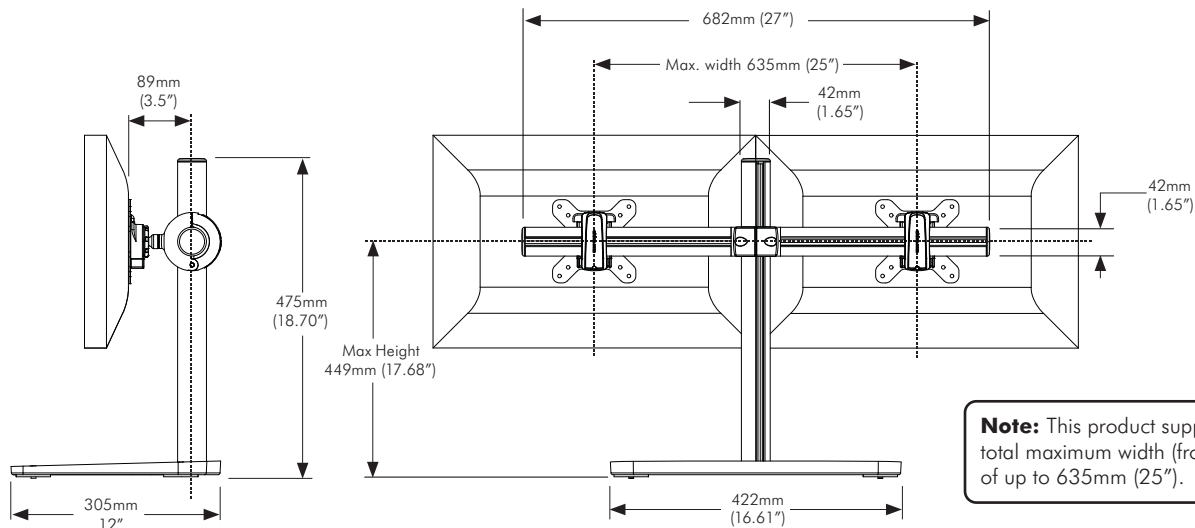
Colour Options:

- Pole available in Matt Silver Anodised only
- Quickshift Donut available in Black only
- Base available in Black/Silver only

Warranty:

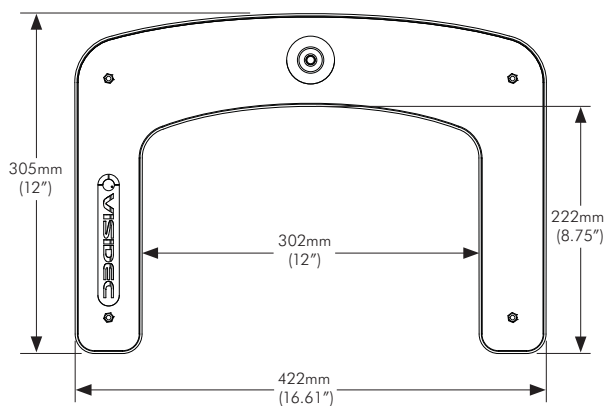
10 years limited

- ① Vertical height adjustment
- ② Horizontal adjustment
- ③ 360°Portrait/Landscape adjustment
- ④ ±20° Pan/Tilt adjustment



Note: This product supports displays with a total maximum width (from edge to edge) of up to 635mm (25").

Base Dimensions



VESA Display Mounting Options

