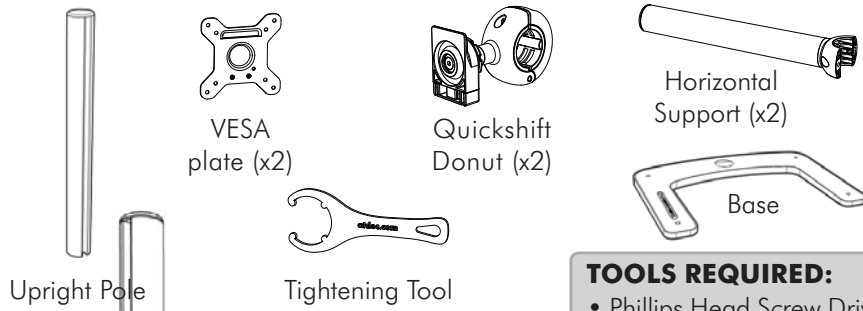


IMPORTANT INFORMATION

- ! Each Quickshift Donut supports Flat Panel Displays from 12" (30cm) to 24" (61cm) and supports a maximum weight of 12kg (26½lbs).
- ! This product suits VESA compliant displays with 75mm x 75mm (3" x 3") and 100mm x 100mm (4" x 4") mounting hole patterns.
- ! The manufacturer does not accept responsibility for incorrect installation.

Component Checklist

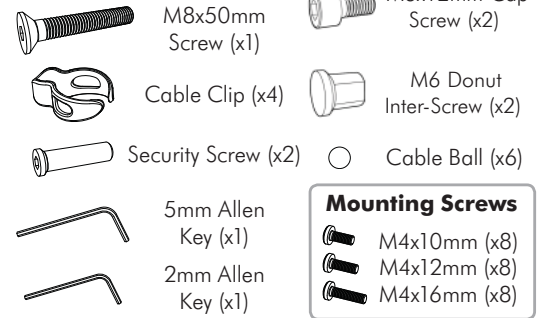
Check you have received all parts against this component checklist prior to installation



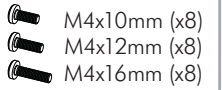
TOOLS REQUIRED:

- Phillips Head Screw Driver

Hardware

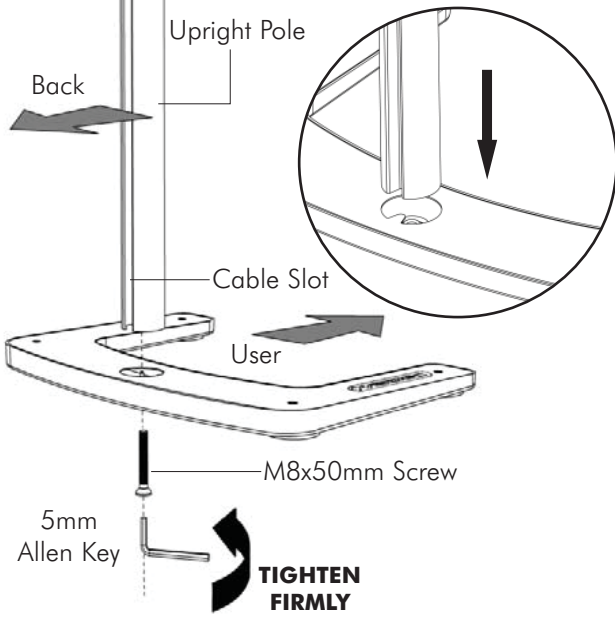


Mounting Screws



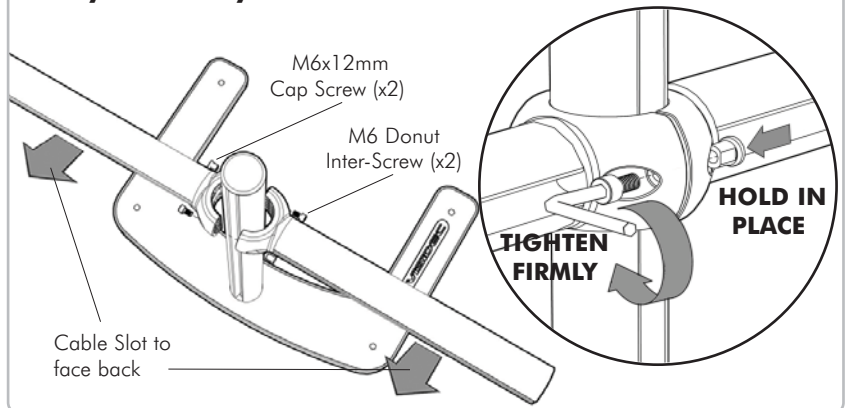
Step 1. Attach Upright Pole to Base

Attach the Upright Pole to the Base as shown below. Ensure Cable Slot faces towards the rear.



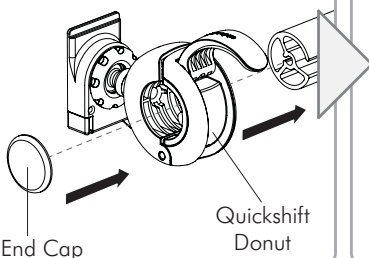
Step 2. Attach Horizontal Supports

Position the Horizontal Supports at the required height on the Upright Pole. Ensure the Slots in all the Poles are facing to the rear. Tighten supports using the M6x12mm Cap Screws, M6 Donut Inter-Screws and 5mm Allen Key supplied. Take care to tighten clamp **firmly and evenly!**

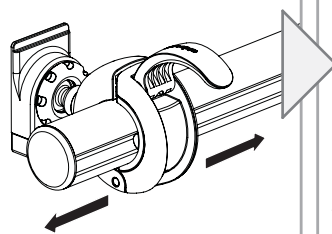


Step 3. Attach Quickshift Donuts to the Horizontal Supports (Ensure the Cable Slots in both Poles are facing to the rear)

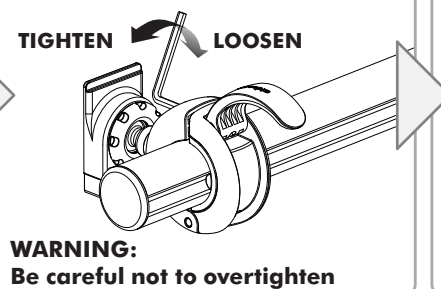
With the lever open, slide the Quickshift Donut onto the pole.



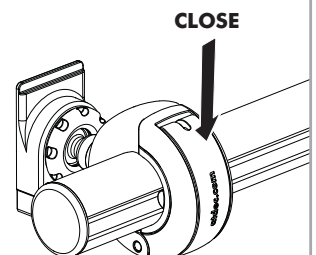
Slide the Quickshift Donut to the desired position.



If necessary, adjust the tension between the Donut and the Pole using the 5mm Allen key supplied.



Close the lever to lock the Quickshift Donut in place.

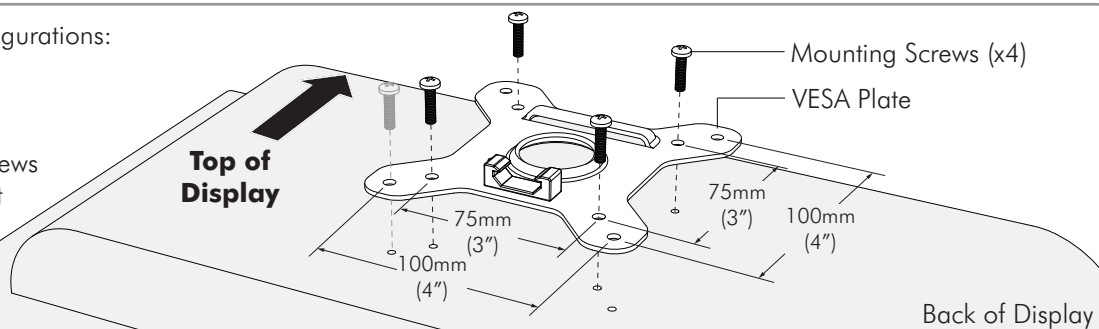


Step 4. Attach the VESA plate to your Display (Repeat Steps 4 to 7 for each Display)

There are two mounting hole configurations:

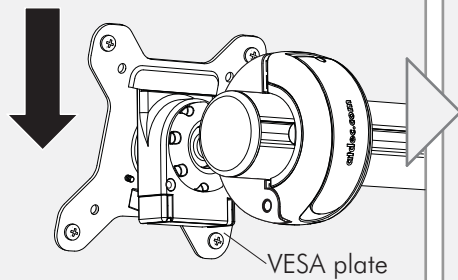
- 75 x 75mm
- 100 x 100mm

Choose appropriate Mounting Screws from the Hardware supplied to suit your Display.

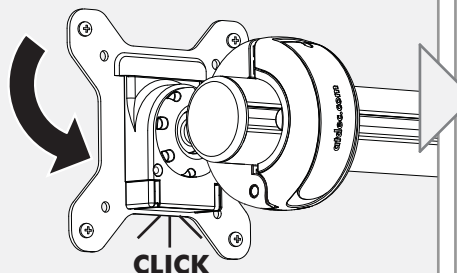


Step 5. Attach your Display to the Quickshift Donut

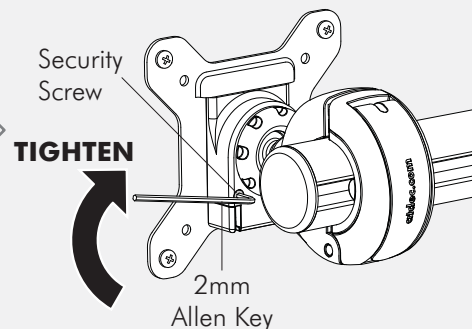
Hook the top of the VESA plate onto the Quickshift Donut.



Gently push the bottom of the Display into the Quickshift Donut until you hear a 'CLICK'.

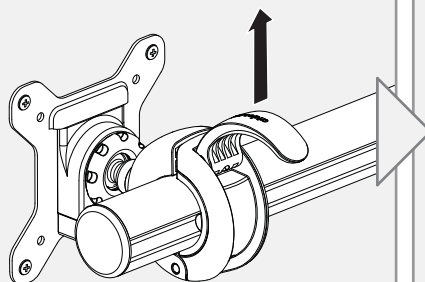


Insert the Security Screw, and tighten using the 2mm Allen Key.

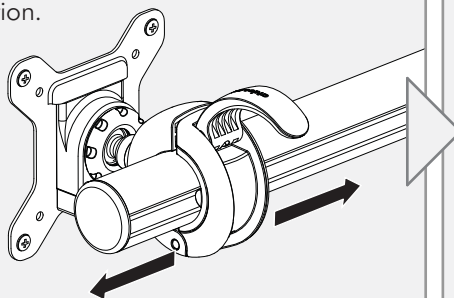


Step 6. Adjust the position of the Quickshift Donut

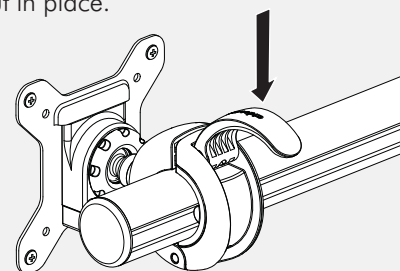
Open the lever to loosen the Quickshift Donut.



Slide the Quickshift Donut to desired position.

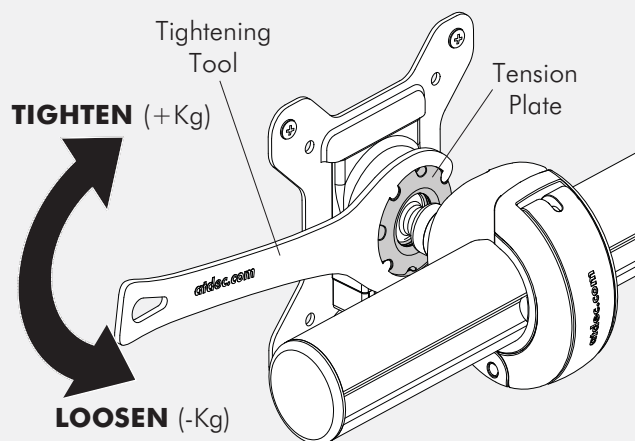


Close the lever to lock the Quickshift Donut in place.



Step 7. Adjust the VESA Ball Mount

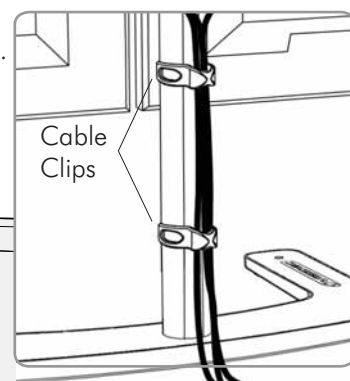
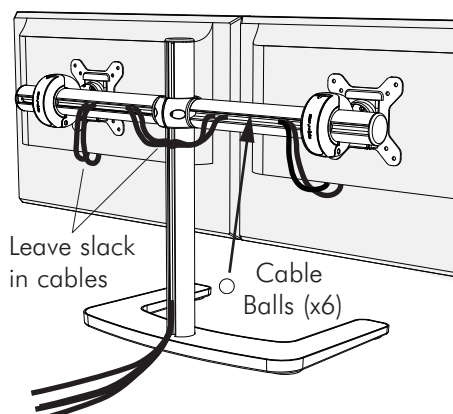
Position your Display to the desired viewing angle, using the 40° angular movement allowed by the VESA Ball Mount. If the display does not hold its position, or is too resistant, adjust the Tension Plate (see diagram below). To make any adjustments, use the Tightening Tool supplied.



Step 8. Cable Management

Connect cables to your Displays, routing them down the rear of the poles.

Push the cables into the slots, using either the Cable Balls or Cable Clips to secure them to the pole as shown.



Note: Ensure enough slack is left in cables to allow for movement. When the slot in each pole cannot be used, use the supplied Cable Clips to secure the display cables.

