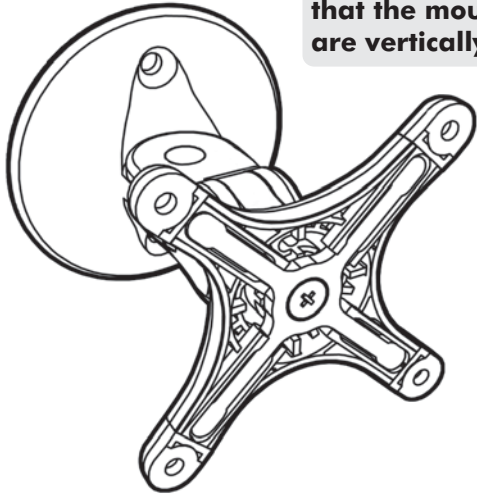


Installation Instructions

Component Checklist

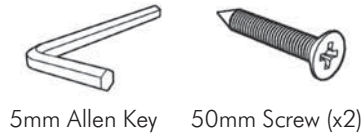
IMPORTANT: Ensure you have received all parts against the component checklist prior to installing.

Wall Direct Assembly



NOTE: When attaching the base to the wall, ensure that the mounting holes are vertically aligned.

Bits Bag



5mm Allen Key 50mm Screw (x2)



Wall Plug (x2)

Mounting Fasteners



M4x10mm Screw (x4)

M4x12mm Screw (x4)

M4x16mm Screw (x4)

Visidec Focus Wall Direct supports a maximum weight of 8kgs (17.5lbs)

TOOLS REQUIRED:

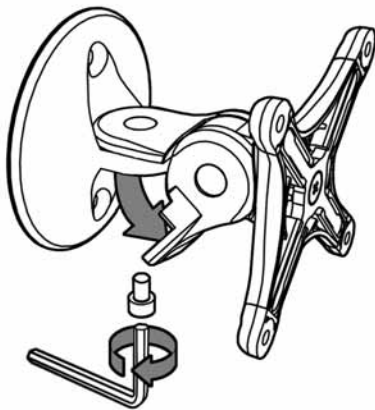
- Power Drill
- 5.5mm (1/4") Drill Bit
- 8mm (5/16") Drill Bit
- Phillips Head Screwdriver

NOTE: This product is designed to support a flat panel monitor in a noninteractive environment. i.e. It should not be used in a situation where the display's position will be frequently changed.

A Disassemble

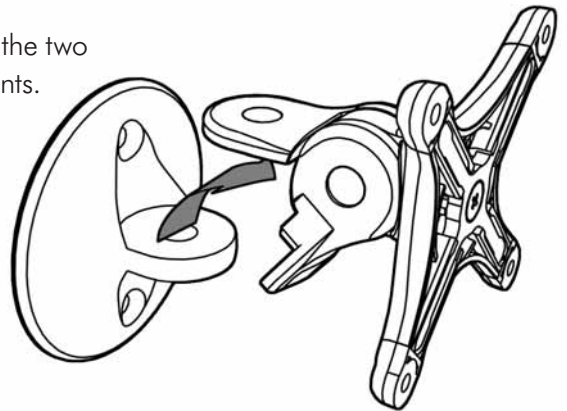
Step 1

Using the supplied Allen Key, remove the bottom screw.



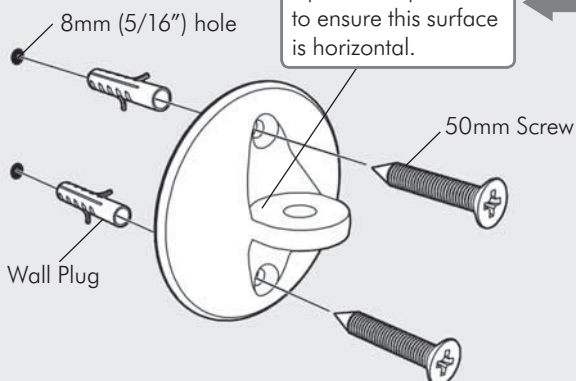
Step 2

Separate the two components.



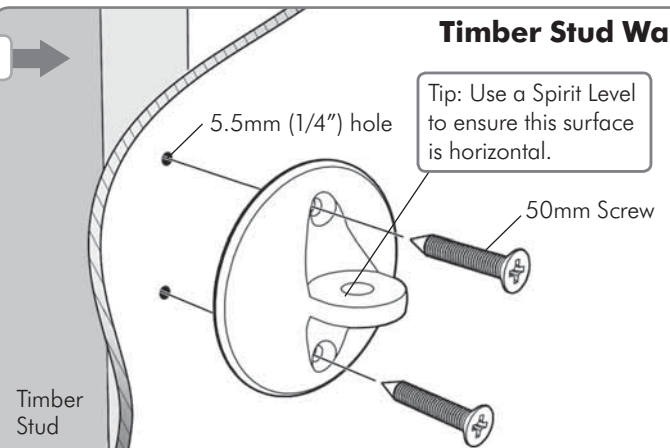
B Attach Base to Wall

Masonry Wall

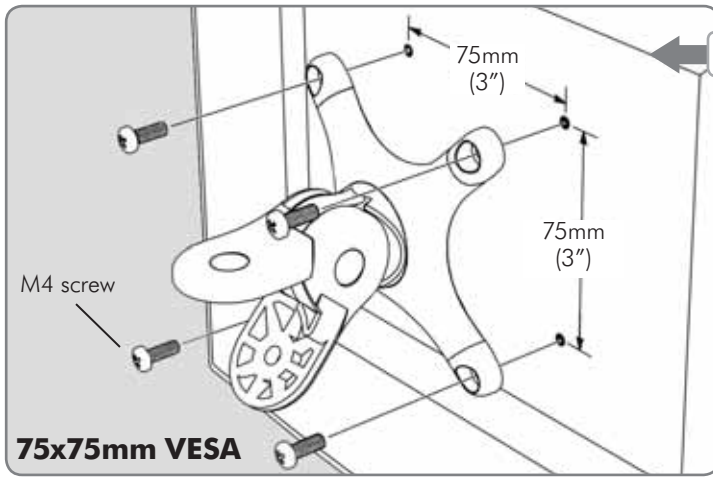


OR

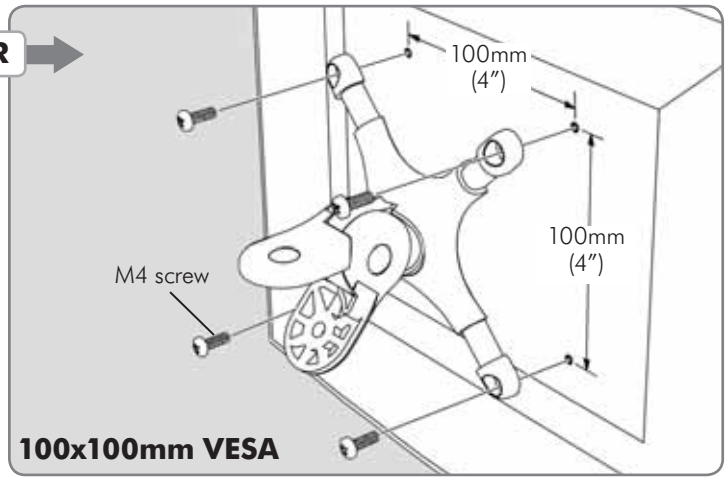
Timber Stud Wall



D Attach Head to Display



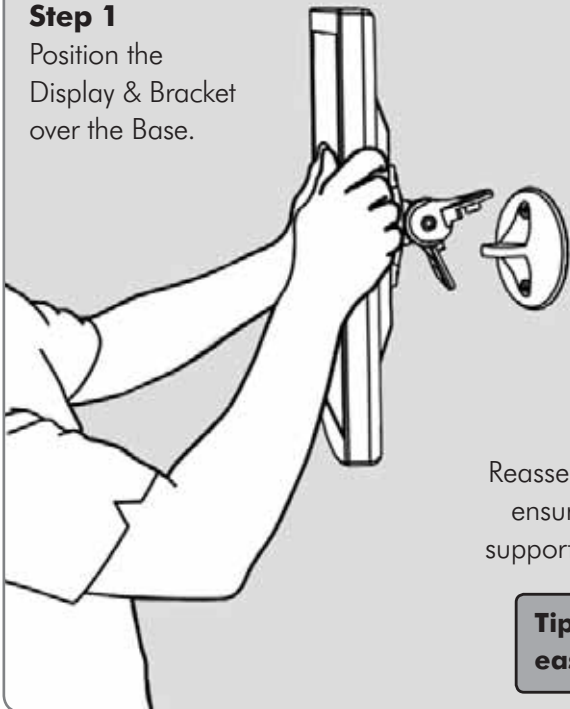
OR



E Attach Display to Wall

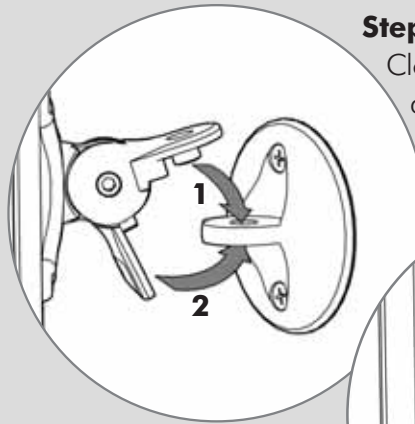
Step 1

Position the Display & Bracket over the Base.



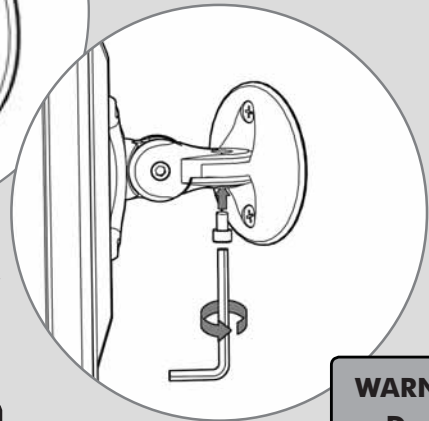
Step 2

Close the two halves of the Bracket around the Base by firstly positioning the top half and then the bottom half.



Step 3

Reassemble the Wall Direct Assembly ensuring the weight of the display is supported until the screw is tightened.



Tip: This step can be made easier by using two people.

WARNING:
Do not overtighten.

F Adjust Display Position

Step 1

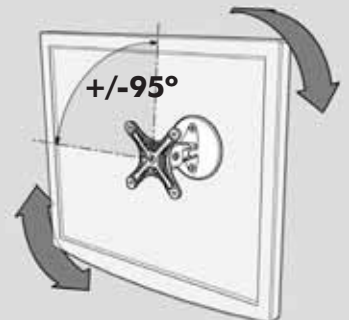
Adjust the display to the desired viewing angle then lock it in place by tightening the tilt screw in the direction shown.



WARNING:
Do not overtighten.

Step 2

Adjust the display's position between landscape and portrait. The display can rotate through $\pm 95^\circ$.



NOTE:
Screen does not rotate 360°

