



FOCUS MICRO

Technical Specifications

A General Features

Maximum Load:

8kg (17.5lbs)

Display Compatibility:

The Visidec Focus Micro is compatible with most Flat Panel Displays between 12" and 24" (30cm and 61cm) that feature either 75mm x 75mm or 100mm x 100mm VESA mounting hole patterns.

Mounting Options:

Visidec Focus Micro package includes Bolt Through and Desk Clamp mounting options.

- Bolt Through
Suits desktop thicknesses of 12mm - 40mm (0.5"-1.5")
- Desk Clamp
Suits desktop thicknesses of 12mm - 38mm (0.5"-1.5")

Included Hardware:

All fasteners and mounting hardware is included

Tools Required:

Power drill, 9mm (3/8") drill bit, Phillips Head screwdriver

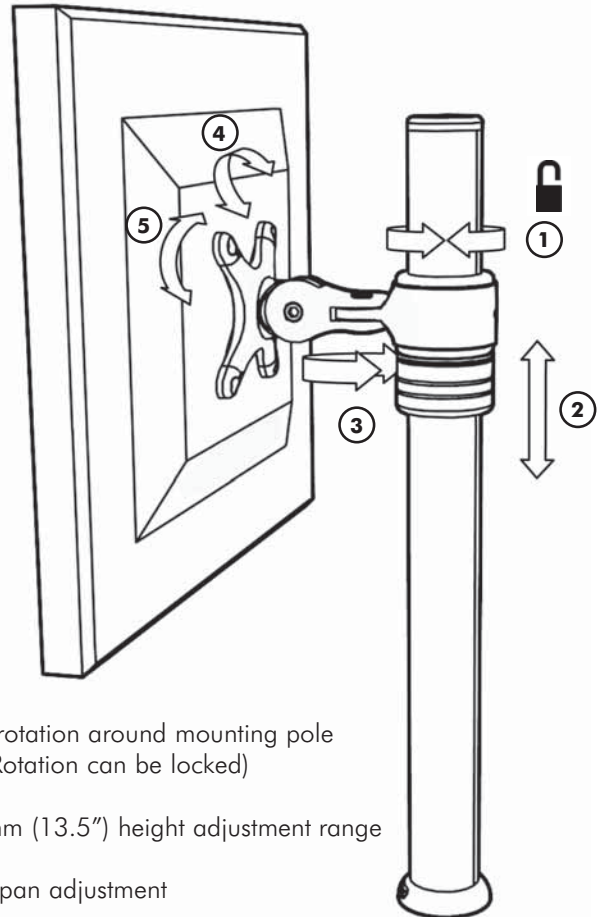
Cable Management:

Cable management system includes cable slot, cable balls (x2) and cable management clips

Colour:

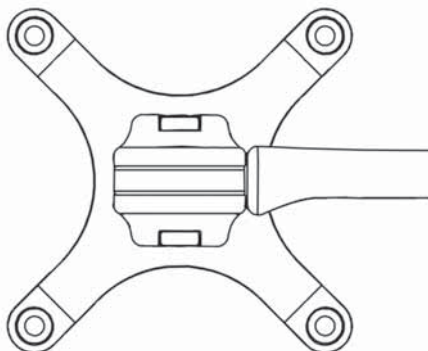
Polished Silver

Warranty: 10 years limited

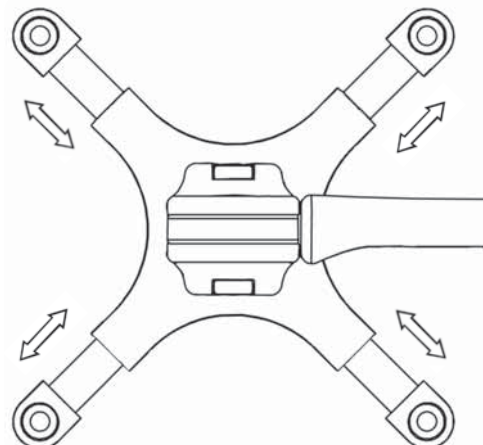


- ① 360° rotation around mounting pole
(This Rotation can be locked)
- ② 345mm (13.5") height adjustment range
- ③ 140° pan adjustment
- ④ ±70° tilt adjustment
- ⑤ ±95° portrait/landscape adjustment

B The FlexiStar™ mechanism

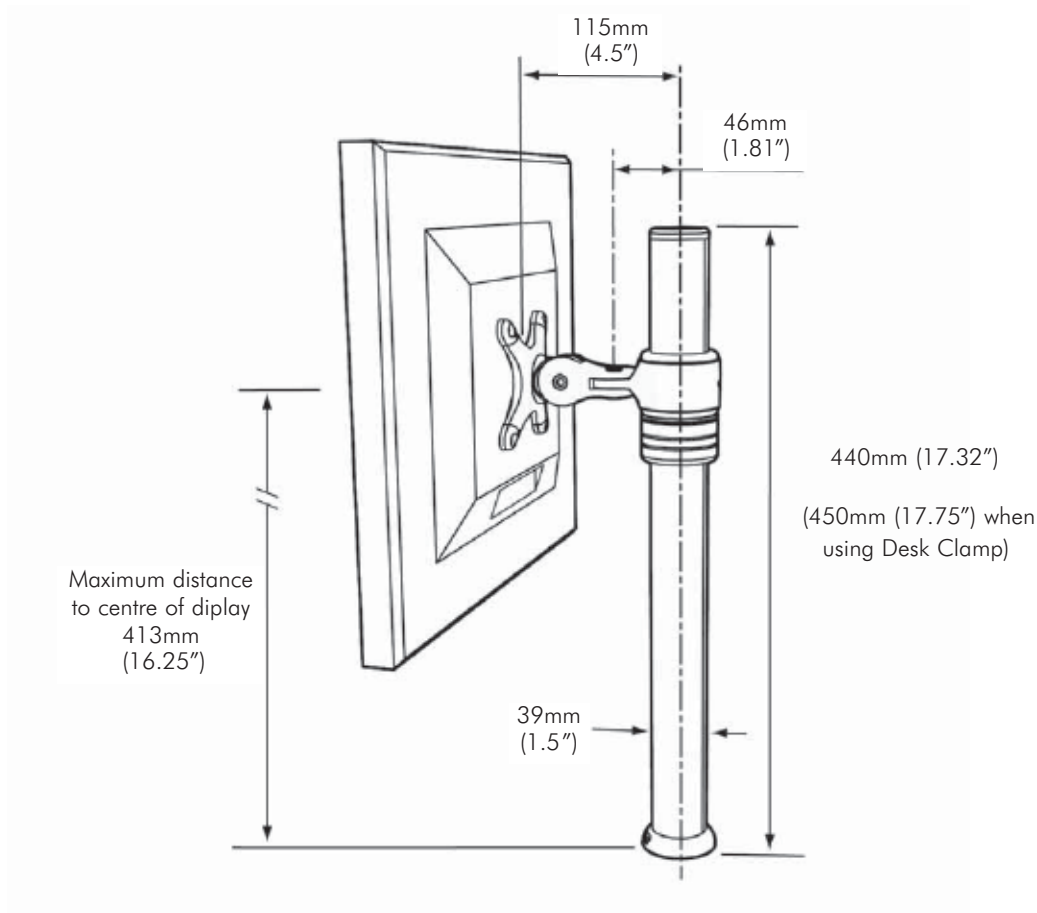


75mm x 75mm
VESA hole pattern



100mm x 100mm
VESA hole pattern

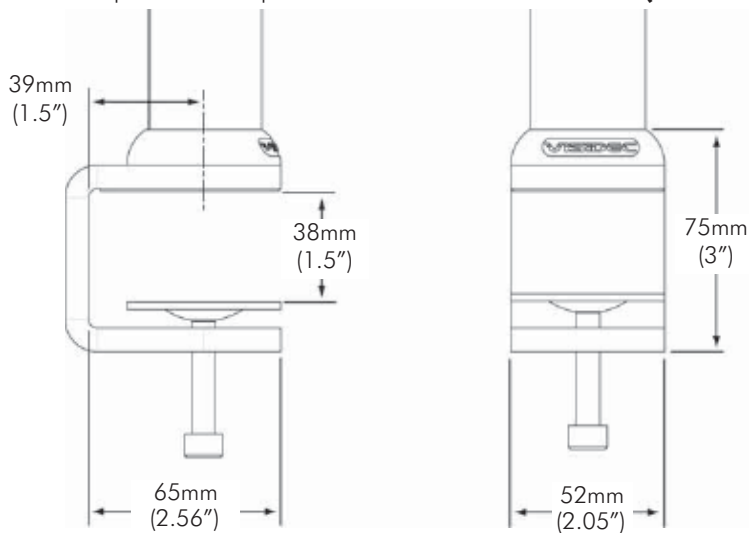
C Overall Dimensions



D Desk Mounting Options

Desk Clamp

Desk Clamp suits desktop thicknesses of **12mm - 38mm (0.5" - 1.5")**



Bolt Through

Bolt Through suits desktop thicknesses of **12mm - 40mm (0.5" - 1.5")**

