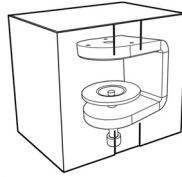
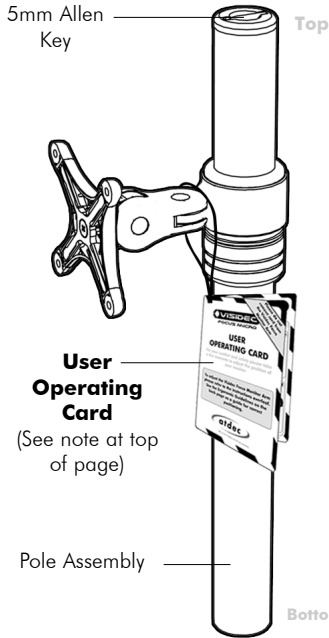


IMPORTANT:
The "User Operating Card" must be left with Visidec Focus Micro once installed

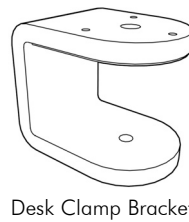


FOCUS MICRO Installation Instructions

A Component Checklist - Check you have received all parts against the component checklist prior to installing



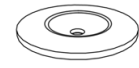
Desk Clamp Box



Desk Clamp Bracket



5mm Allen Key



Pressure Plate



M8 Desk Clamp Screw

Bits Box



2mm Allen Key



M8x30mm Screw



Cable Balls (x2)



Bolt Through Base



Cable Clip



Steel Washer

Display Mounting Screws



M4x10mm (x4)



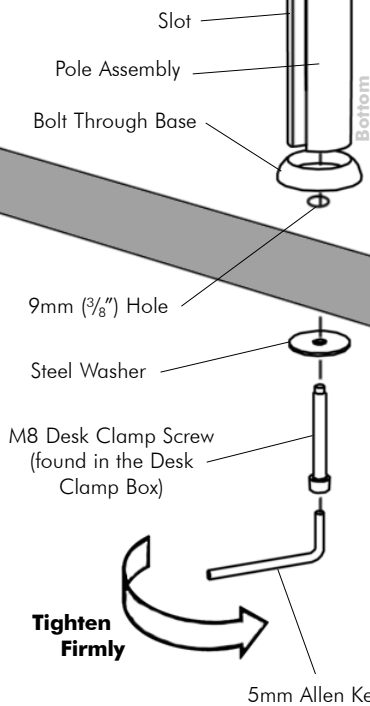
M4x12mm (x4)



M4x16mm (x4)

B1 Bolt Through

Drill a 9mm ($\frac{3}{8}$ ") hole in the work surface at the desired position and assemble as shown below.



Tighten Firmly

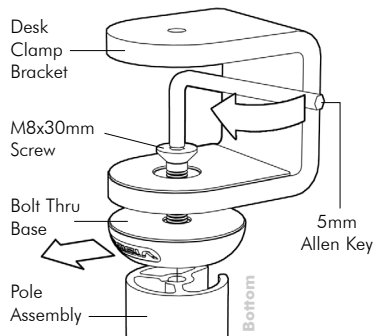
NOTE:

Ensure the slot in the Pole Assembly faces away from the user.
It is recommended that the Pole Assembly be mounted towards the rear edge of the work surface

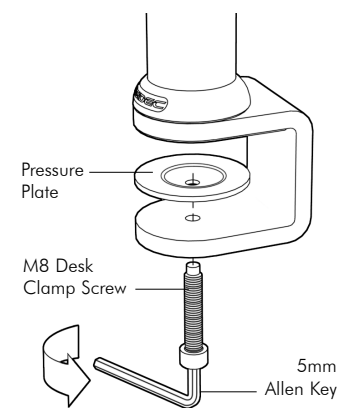
OR

B2 Desk Clamp

Step 1: Attach the Desk Clamp Bracket to the bottom of the Pole Assembly using the M8x30mm Screw. **Tighten firmly** using the 5mm Allen Key. Ensure the Visidec logo is facing the front as shown.



Step 2: Install the M8 Desk Clamp Screw and Pressure Plate as shown.



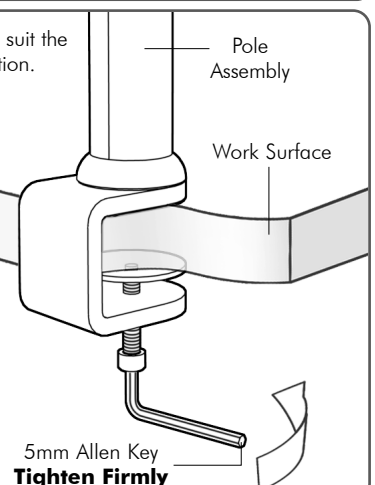
Step 3: Adjust the height of the Pressure Plate to suit the work surface and tighten firmly in the desired location.

ADJUSTMENT RANGE



Suits 12mm ($\frac{1}{2}$ ") to 38mm ($1\frac{1}{2}$ ") thick work surfaces

NOTE: It is recommended that the Pole Assembly be clamped to the rear or side edge of the work surface



Tighten Firmly

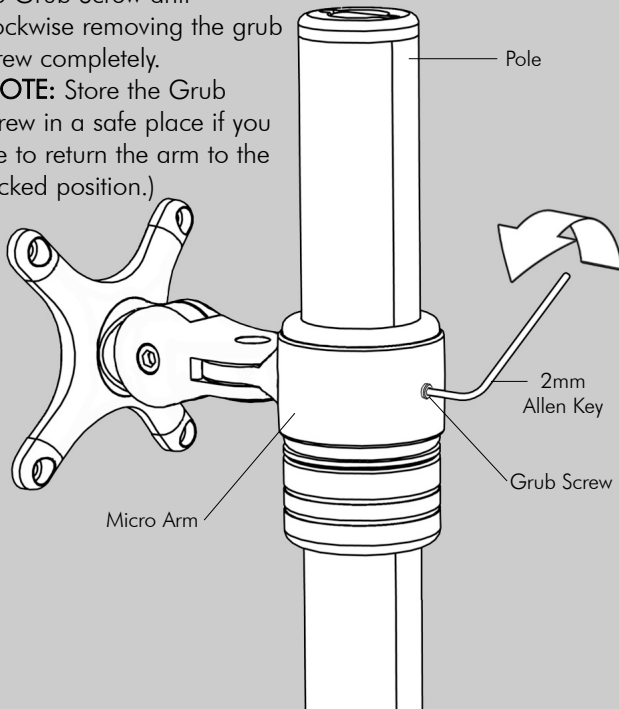
C Unlock/Lock Arm Rotation (Note: Focus Micro comes assembled in the "Locked" position.)

UN-LOCK:

If you wish your Focus Micro Arm to have 360° rotation about the Pole you will need to un-lock the arm's rotation.

Step 1:

Unlock the arm by turning the Grub Screw anti-clockwise removing the grub screw completely. (NOTE: Store the Grub Screw in a safe place if you are to return the arm to the Locked position.)



OR

LOCK:

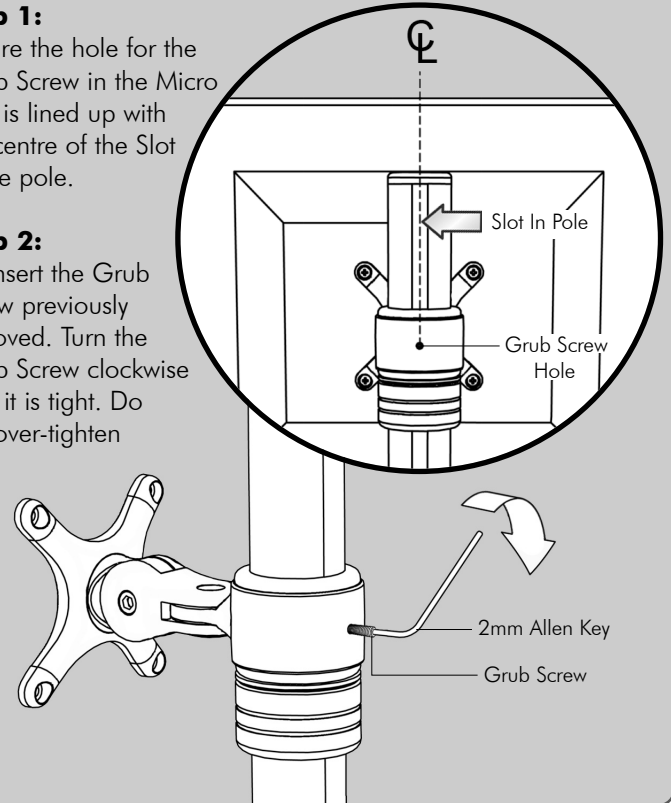
If you have un-locked the Focus Micro Arm, but wish to fix rotation around the pole, you will need to lock the arm.

Step 1:

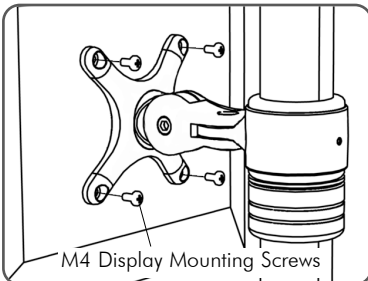
Ensure the hole for the Grub Screw in the Micro Arm is lined up with the centre of the Slot in the pole.

Step 2:

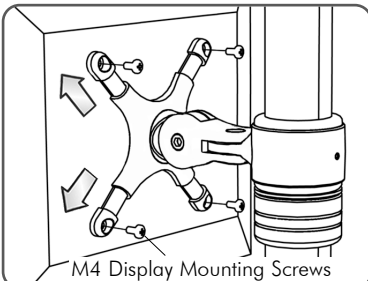
Re-insert the Grub Screw previously removed. Turn the Grub Screw clockwise until it is tight. Do not over-tighten



D Mount the Display

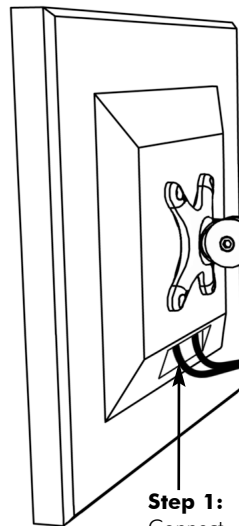


For Displays with 75mm x 75mm (3" x 3") mounting hole patterns



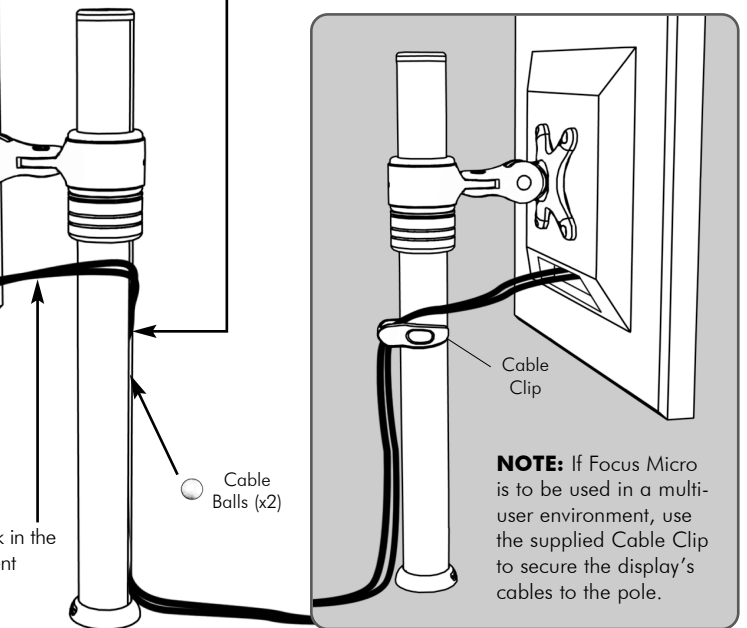
For Displays with 100mm x 100mm (4" x 4") mounting hole patterns

E Cable Management



NOTE: Leave enough slack in the cables to allow for movement

Step 2: Insert cables into slot, using cable balls to hold them in place (single user only)



NOTE: If Focus Micro is to be used in a multi-user environment, use the supplied Cable Clip to secure the display's cables to the pole.

F Leave the "User Operating Card" with Visidec Focus Micro

Leave the "User Operating Card" secured to the Visidec Focus Micro for the user's reference.

