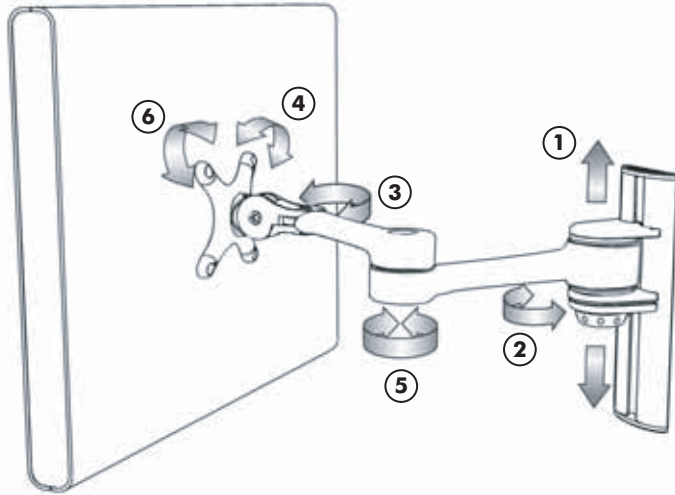


# Technical Specifications



## A General Features

- ① Vertical adjustment 128mm (5")
- ② Rotation 180°
- ③ Pan 180°
- ④ Portrait/Landscape adjustment
- ⑤ Rotation 360°
- ⑥ Tilt ±70°



### Display Compatibility:

Suits displays from 12" (30cm) to 24" (61cm)

### Display Weight Compatibility:

Max. 8kg (17.5lbs)

### Display Mounting Options:

Suits 75mm x 75mm to  
100mm x 100mm mounting hole patterns

### Cable Management:

Cable Covers (included in package)

### Colours:

Polished Arm with Matt Silver Wall Plate

### Warranty:

10 years limited

## B Overall Dimensions

