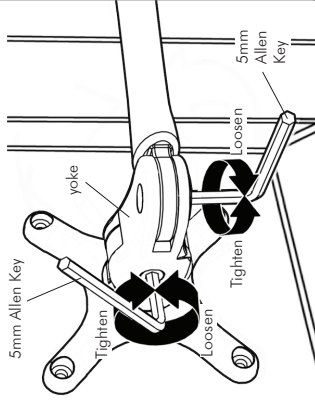


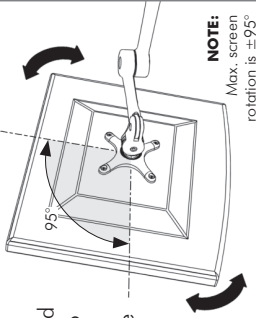
H Adjusting Display Position

Adjust the position of your display as shown.

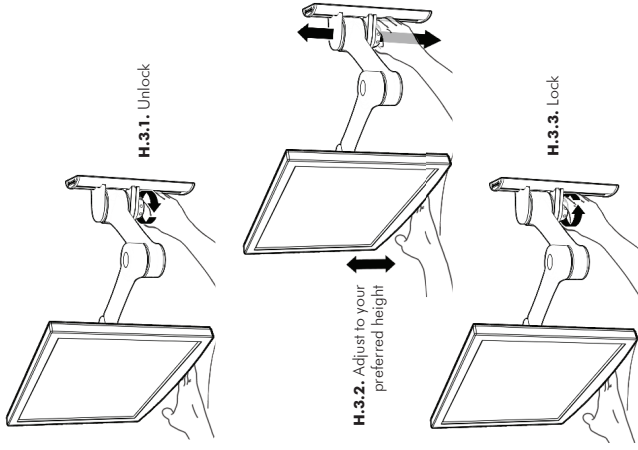
H.1.1. Use the supplied 5mm Allen Key to adjust the tension of the yoke to suit the weight of your display.



H.1.2. The display can also be moved from landscape to portrait mode by simply rotating the display.



H.1.3. Adjust the height of your display as shown.



Important Notes

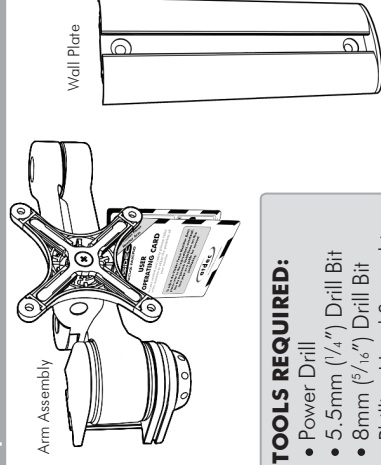
- Visidec Focus Articulated Arm Wall supports a maximum weight of 8kgs (17.5lbs)
- The "User Operating Card" must be left with Visidec Focus Articulated Arm Wall once installed

Installation Instructions

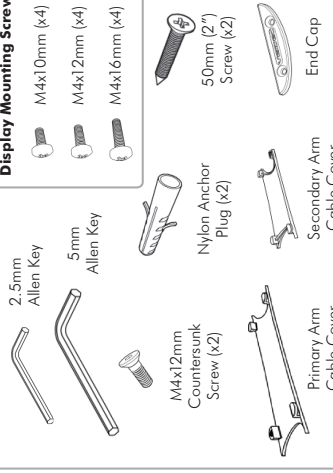
VISIDEC

FOCUS ARTICULATED ARM WALL

Component Checklist



Bits Box



TOOLS REQUIRED:

- Power Drill
- 5.5mm (1/4") Drill Bit
- 8mm (5/16") Drill Bit
- Phillips Head Screwdriver

A Component Checklist

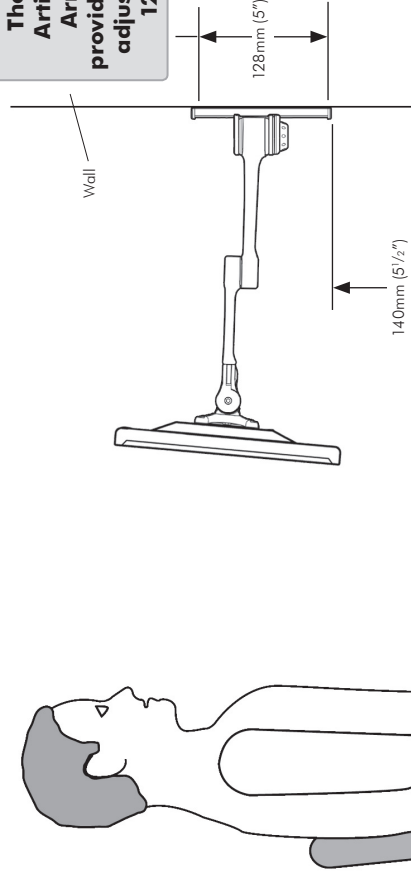
Check you have received all parts against the Component Checklist above.

B Positioning the Wall Plate

As a guide, it is recommended that the bottom of the Wall Plate be positioned approximately 140mm (5 1/2") above the desktop.

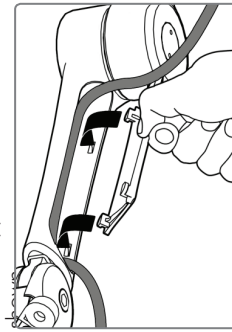
For further Ergonomic Guidelines, please refer to the User Operating Card.

NOTE:
The Focus Articulated Arm Wall provides vertical adjustment of 128mm



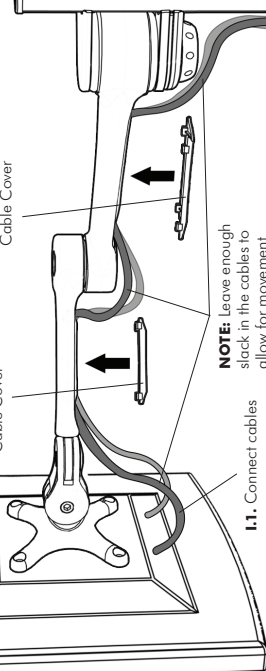
1 Cable Management

To utilise Focus Articulated Arm Wall cable management, use the Cable Covers supplied in the Bits Box as



1.1. Insert 1st Cable Cover

1.2. Insert 2nd Cable Cover



1.1. Connect cables

NOTE: Leave enough slack in the cables to allow for movement

J Leave the "User Operating Card" with Visidec Focus Articulated Arm Wall

Leave the "User Operating Card" secured to the Visidec Focus Articulated Arm Wall for the user's reference.

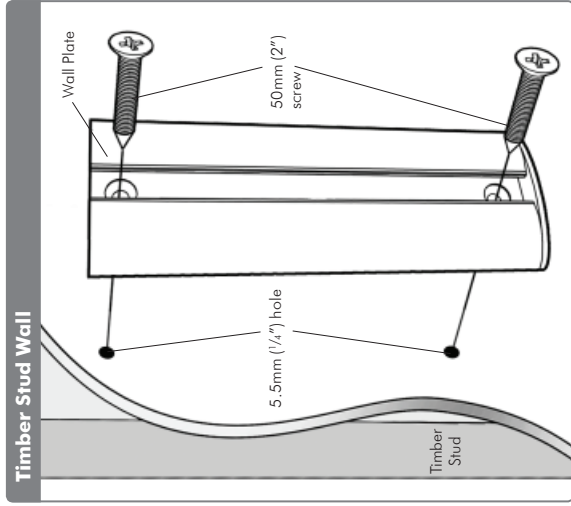
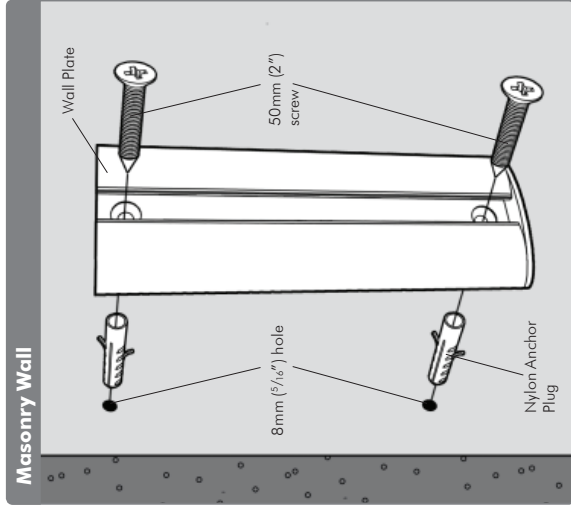


Installation Complete



C Installing the Wall Plate

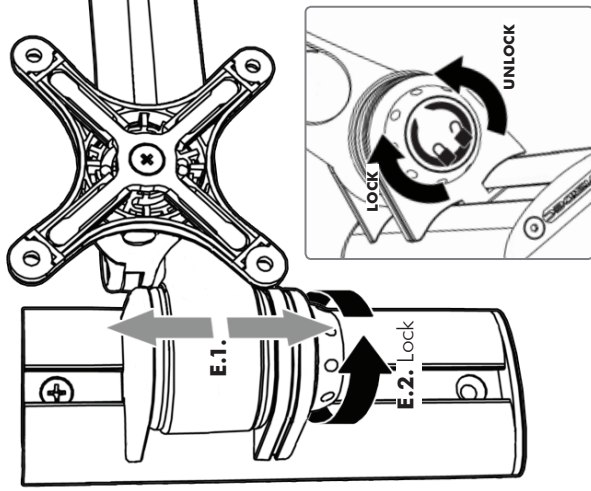
Choose the appropriate installation procedure depending on your wall type.



Tip: Use a Spirit Level to ensure Wall Plate is installed vertically.

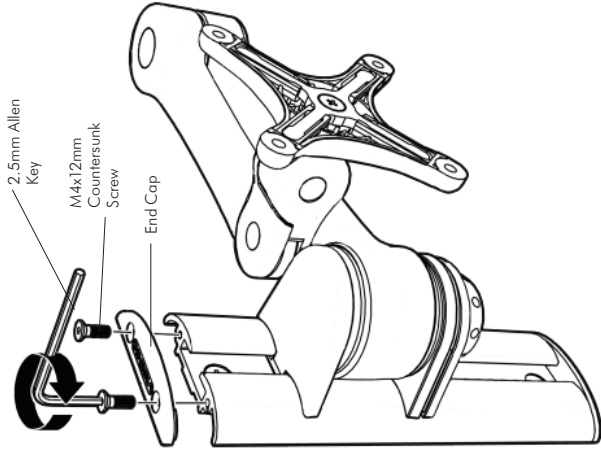
E Positioning and Securing the Arm

- E.1.** Adjust the arm to your preferred height
- E.2.** Lock to secure the arm



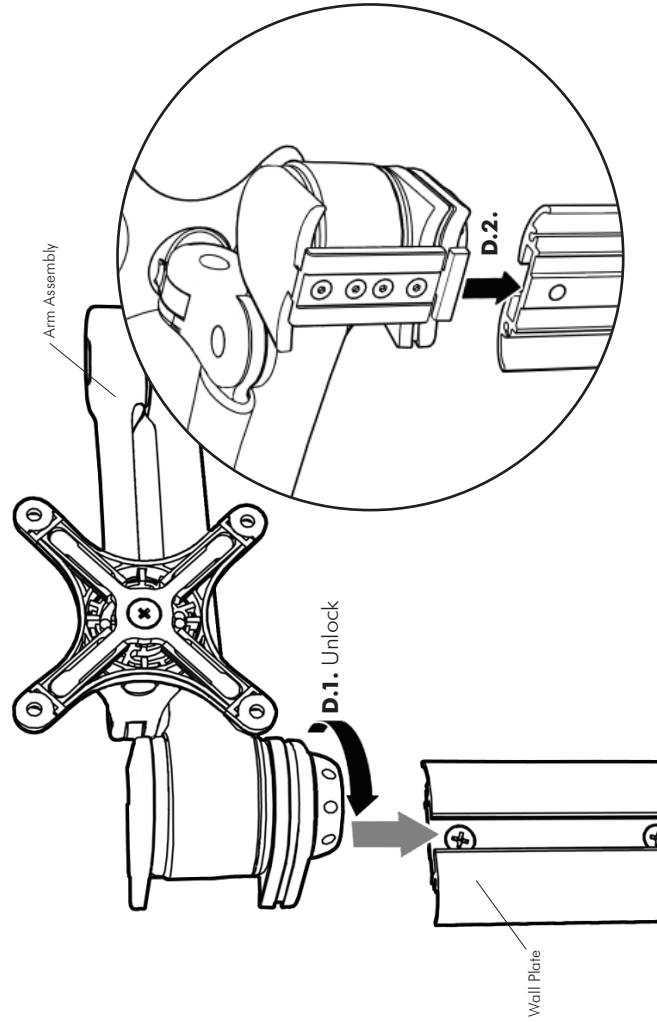
F Securing the End Cap

Secure the End Cap with the supplied M4x12mm Countersunk Screws and 2.5mm Allen Key.



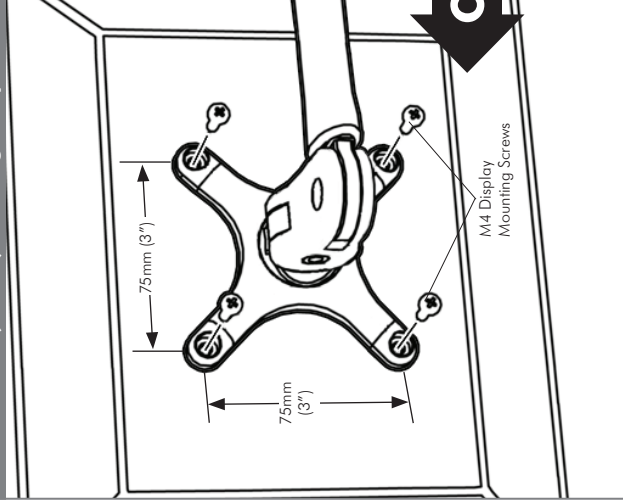
D Installing the Arm

- D.1.** Unlock the Locking Dial as shown
- D.2.** Insert the arm into the Wall Plate



G Attaching the Display using The FlexiStar™ mechanism

75mm x 75mm (3 inch x 3 inch) mounting hole pattern



OR

100mm x 100mm (4 inch x 4 inch) mounting hole pattern

