



### General Features

#### MAXIMUM LOAD:

8kg (17.5 lbs)

#### NOTEBOOK COMPATIBILITY:

Notebook Mount supports Notebooks up to 18".

#### Mounting Option:

Visidec Focus Notebook Mount Accessory to be used in conjunction with Visidec pole products:

VF-AT

VF-AT-D

VF-AT-M

#### Cable Management:

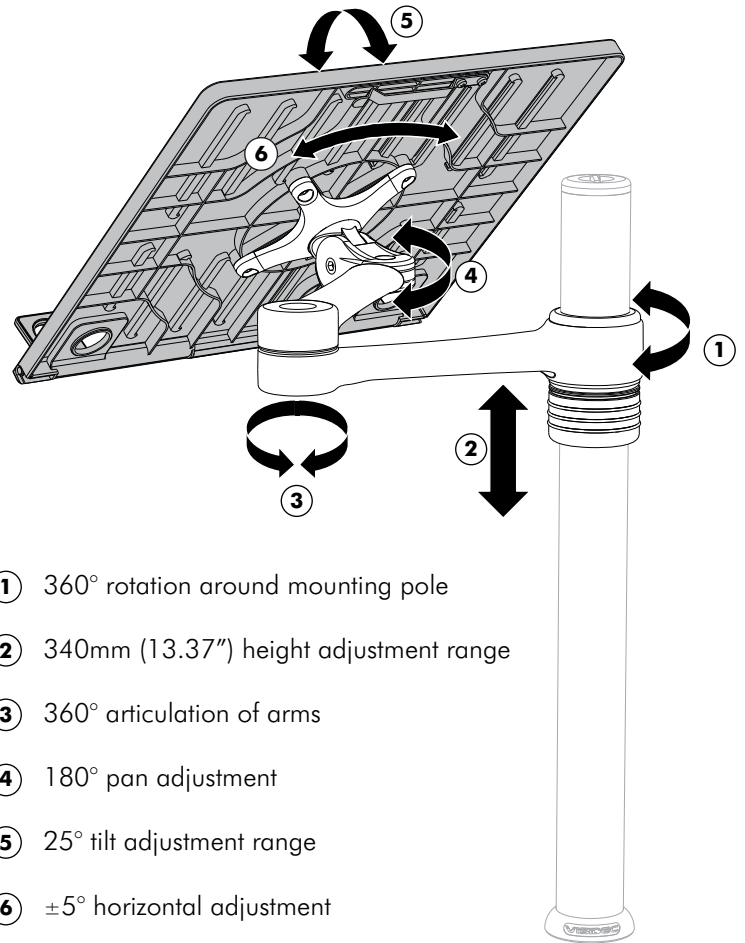
Cable management system includes cable slot and cable management clips.

#### Colour:

Polished Silver

#### Warranty:

10 years limited

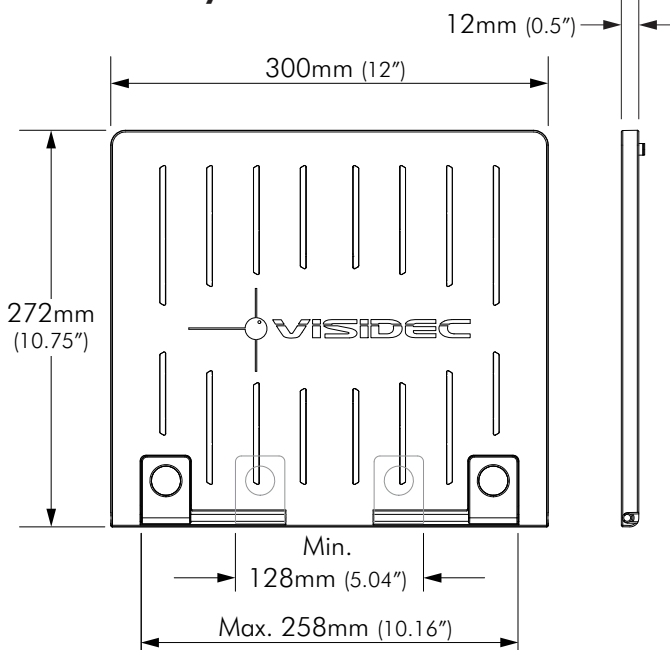


- ① 360° rotation around mounting pole
- ② 340mm (13.37") height adjustment range
- ③ 360° articulation of arms
- ④ 180° pan adjustment
- ⑤ 25° tilt adjustment range
- ⑥ ±5° horizontal adjustment

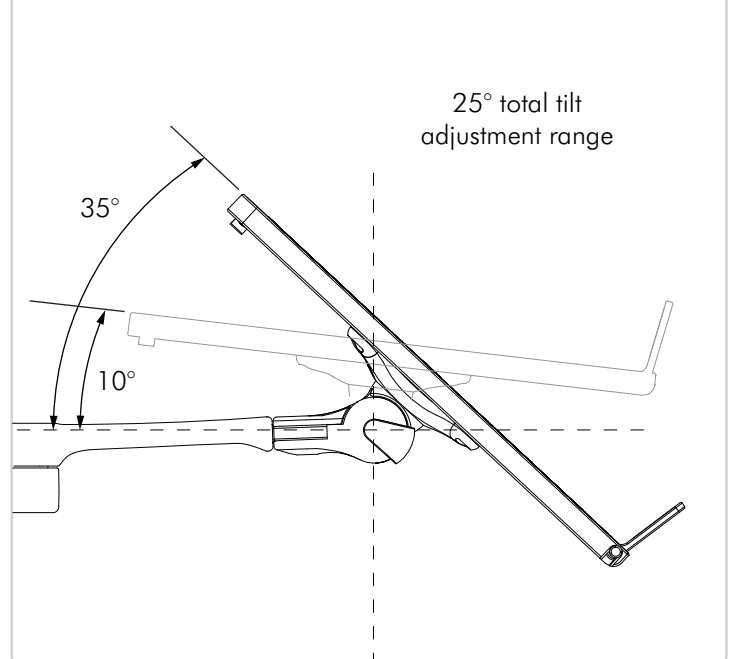
Note: Pole not included

### Dimensions

#### Notebook Tray



#### Side View



## Overall Dimensions

