











Professional mounting solutions for the home and office

Focus | Dual desk monitor arm VF-AT-D

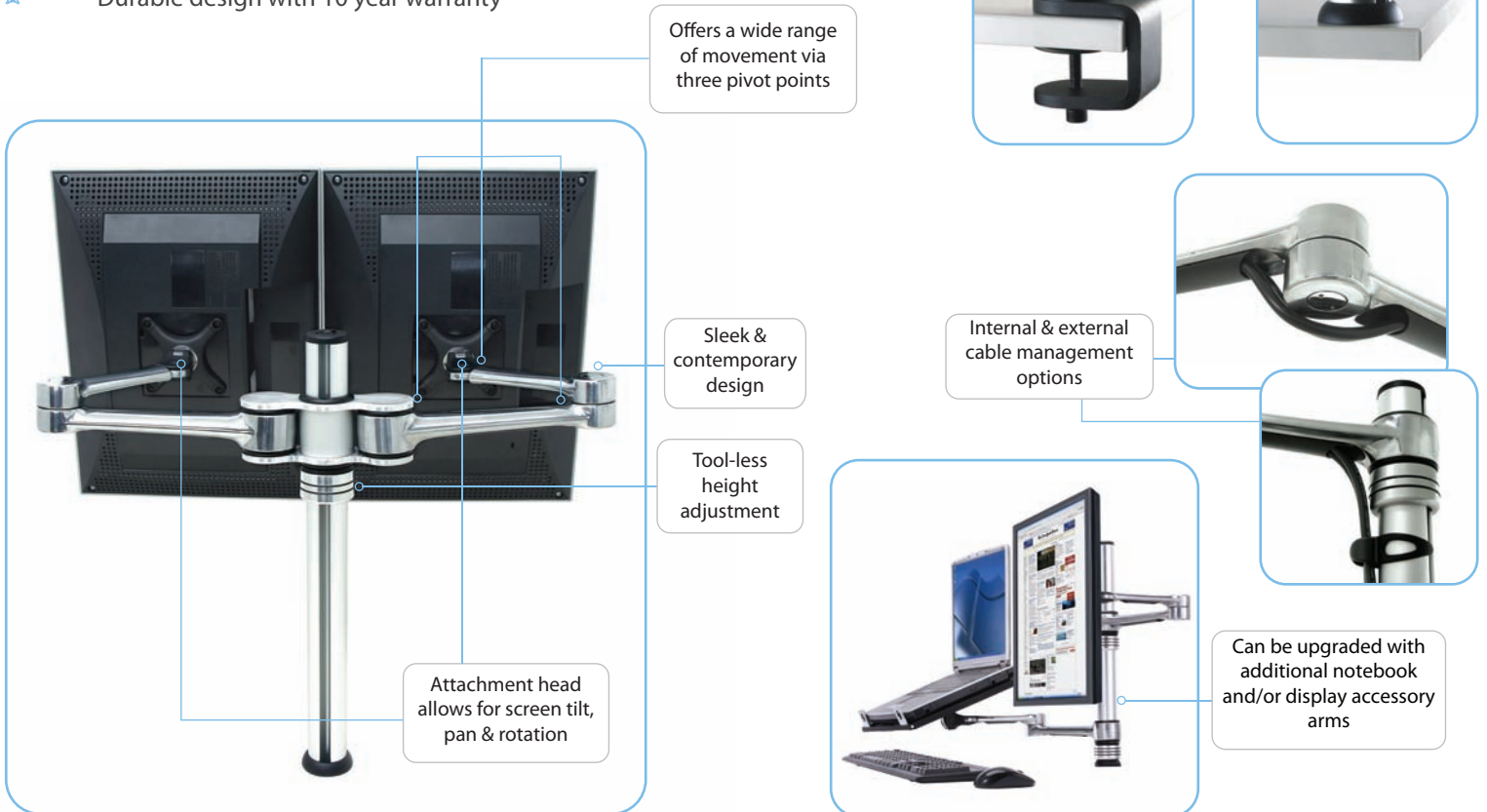
The Visidec Focus VF-AT-D can revolutionize a work environment with reduced clutter and enhanced ergonomics. It supports two flat screens in an elevated position to free up desk space, increase operational flexibility, reduce neck and eye strain. Cabling is managed to improve presentation and reduce clutter while enhanced position adjustment aids productivity each display independently adjustable for tilt, pan, and portrait/landscape orientation. Position and orientation are adjustable with fingertip control while the height can be adjusted through a simple twist and lock mechanism. The can be upgraded with additional display and notebook arms if required for a truly integrated work solution.

-  Suits 75x75mm & 100x100mm mounting (100x200mm optional)*
-  Flexible desk mounting
-  max display weight: 8kg (17.5lbs)
-  Tool-less height adjustment
-  Dual monitor support with articulated position adjustment
-  Allows rotation around Pole
-  Adjustable tilt and pan
-  Adjustable screen orientation



Product key features:

- ✕ Dual articulated arms provide for an extended range of movement
- ✕ Designed for monitors 12" or larger up to 8kg (17.5lbs) each
- ✕ Each arm allows 240° rotation at the shoulder
- ✕ Allows 360° rotation around the pole
- ✕ Adjustable +/-70° tilt and +/-90° pan
- ✕ Allows landscape to portrait screen rotation
- ✕ Max arm reach: 467mm (18.25")
- ✕ Display height adjustment range: 315mm (12.5")
- ✕ Bolt through and desk clamp mounting options included
- ✕ Integrated cable management
- ✕ Comes with all mounting hardware
- ✕ Durable design with 10 year warranty

Offers a wide range of movement via three pivot points

Bolt through & desk clamp mounting options included

Sleek & contemporary design

Internal & external cable management options

Tool-less height adjustment

Attachment head allows for screen tilt, pan & rotation

Can be upgraded with additional notebook and/or display accessory arms

* 200x100 VESA mounting support via optional adaptor accessory



Atdec Global www.atdec.com.au
Atdec North America www.atdec.com

Product information, single unit

Load capacity	Material	Color
8kg (17.5lbs) per arm	Aluminum	Polished

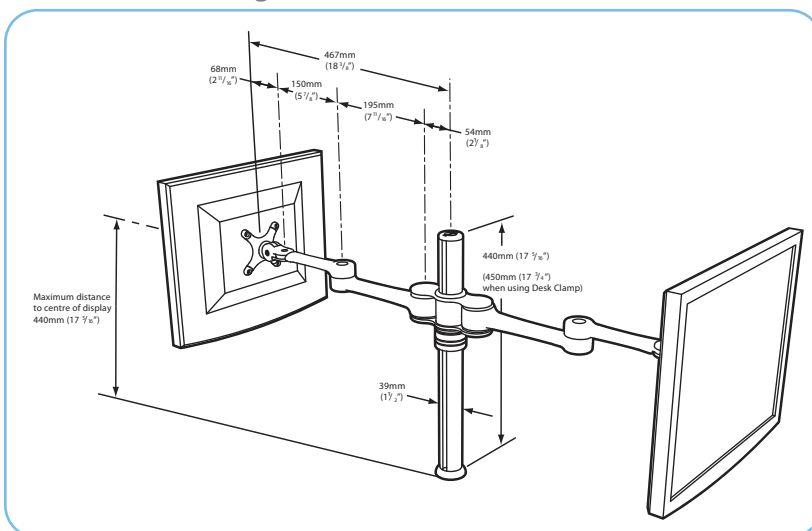
Package information, single unit

Size	Ship weight	UPC code	Contents
56cm x 23cm x 12cm (22.75" x 9" x 5")	3.7kg (8.2lbs)	881493004351	All hardware required for installation supplied

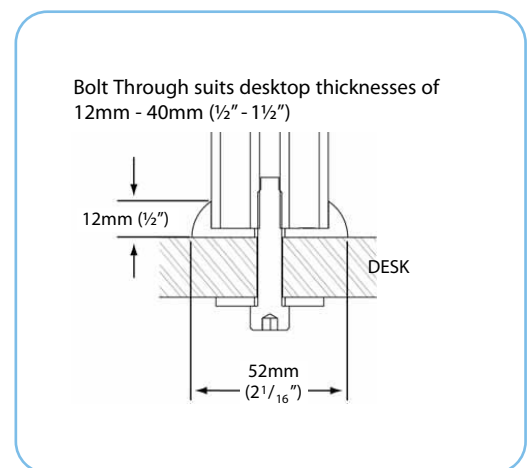
Package information, master pack

Size	Ship weight	UPC	Units per master pack
56cm x 47cm x 27cm (23.5" x 18.75" x 10.25")	16kg (35.2lbs)	881493004368	4

Technical drawings



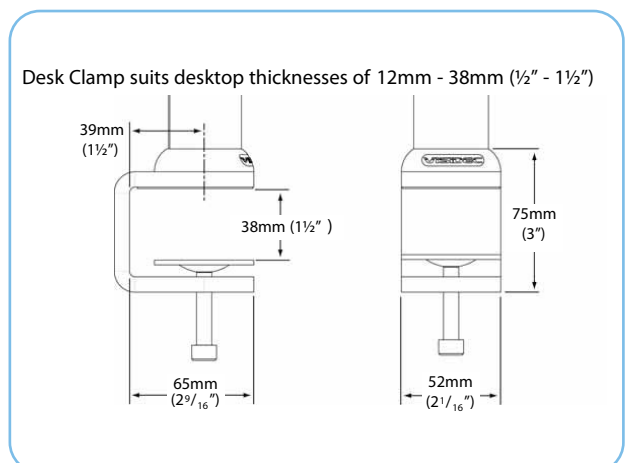
Bolt Through



Accessory Options

VF-AT-AA	Additional Display Accessory Arm
VF-AT-NK	Additional Notebook Accessory Arm
AC-AP-2010	100x200mm VESA Adaptor

Desk Clamp



Atdec mounts are designed, developed and tested in Australia. We manufacture an extensive range of display and projector mountings for a variety of user types and situations. While all efforts have been made to ensure the information in this brochure was correct as of the date of printing, we reserve the right to change specifications without notice. Please refer to the website for our full range along with the latest details on specifications, compatibility and dealer location. Atdec and telehookare registered trademarks with all rights reserved. Copyright May 2011 V2.0



Atdec Global www.atdec.com.au
Atdec North America www.atdec.com