



## VF-AT-D / FOCUS ARTICULATED ARM DOUBLE

# Technical Specifications

### A General Features

**Maximum Load:**

8kg (17.5lbs) per display.

**Display Compatibility:**

Visidec Focus Articulated Arm Double is compatible with most Flat Panel Displays between 12" and 24" (30cm and 61cm) that feature either 75mm x 75mm or 100mm x 100mm VESA mounting hole patterns.

**Mounting Options:**

Visidec Focus Articulated Arm Double includes Bolt Through and Desk Clamp mounting options. **NOTE: Desk Clamp mounting option is only suitable for displays in side by side configuration.**

- Bolt Through  
Suits desktop thicknesses of 12mm - 40mm (0.5"-1.5")
- Desk Clamp  
Suits desktop thicknesses of 12mm - 38mm (0.5"-1.5")

**Included Hardware:**

All fasteners and mounting hardware are included.

**Tools Required:**

Power drill, 9mm (3/8") drill bit, Phillips Head screwdriver.

**Cable Management:**

Cable management system includes cable slot and cable management clips.

**Colour:**

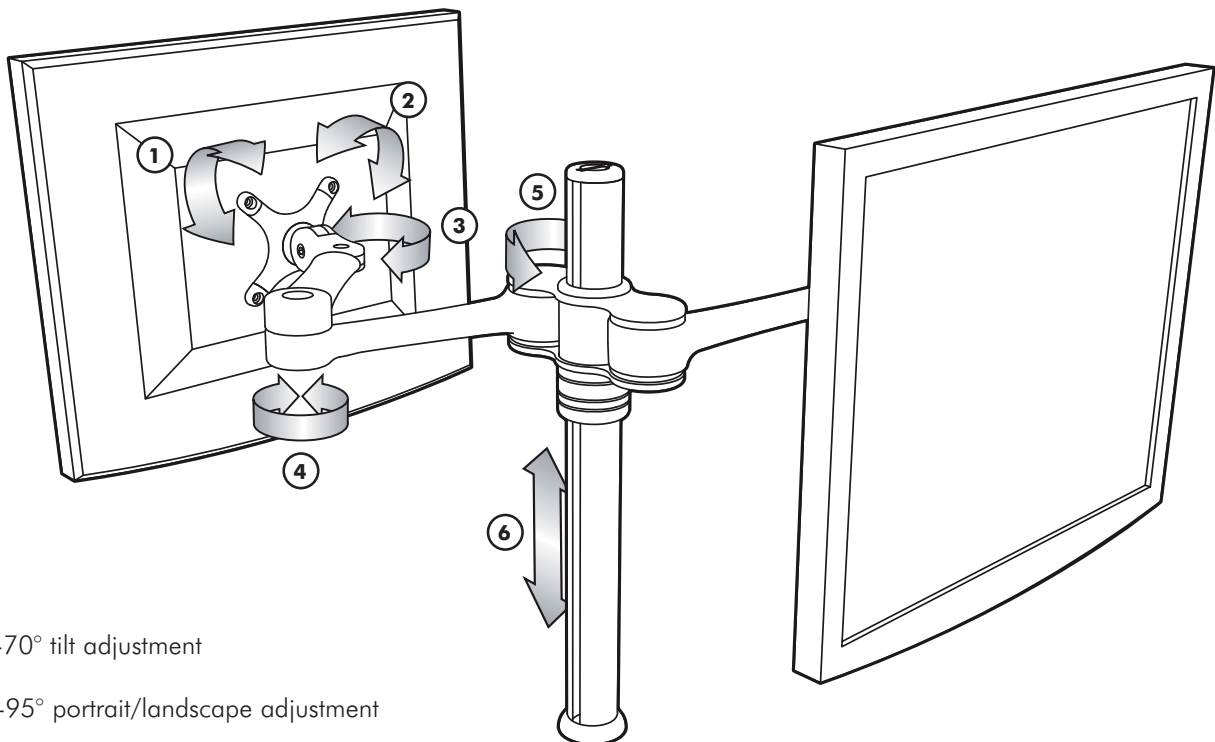
Polished Silver.

**Warranty:** 10 years limited

**IMPORTANT:**

**Please read the Installation Instructions before mounting Visidec Focus Articulated Arm Double**

### B Range of Movement



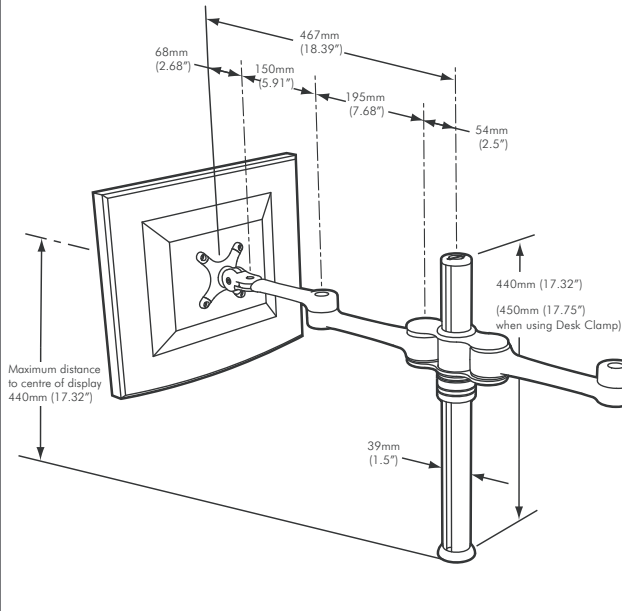
- ① +/-70° tilt adjustment
- ② +/-95° portrait/landscape adjustment
- ③ 180° pan adjustment
- ④ 360° articulation of arms
- ⑤ 240° rotation at shoulder
- ⑥ 315mm (12.5") height adjustment range

**NOTE:**

**The back to back display configuration shown can only be used in conjunction with the Bolt Through mounting option.**

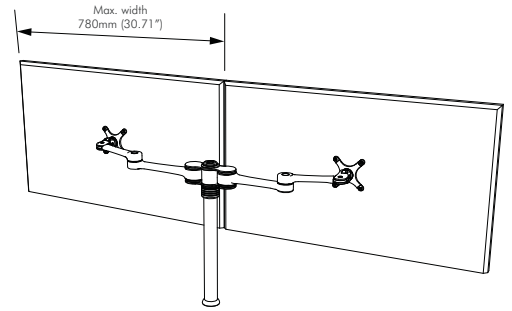
**The range of movement shown here applies to both arms of Visidec Focus Articulated Arm Double.**

## C Overall Dimensions



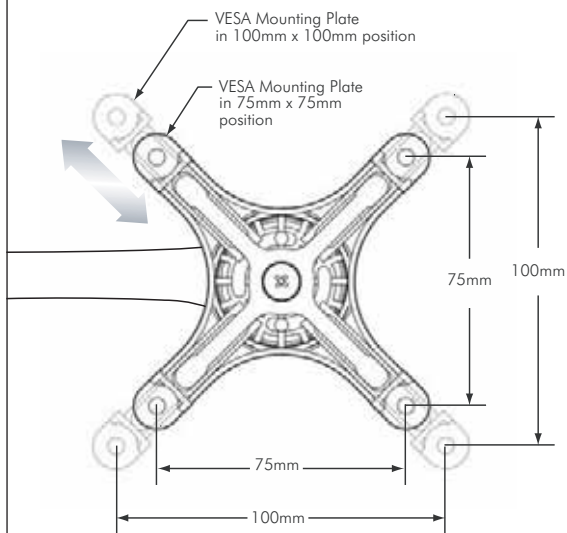
**NOTE:** The back to back display configuration shown (below left) can only be used in conjunction with the Bolt Through mounting option.

The range of movement shown here applies to both arms of Visidec Focus Articulated Arm Double.

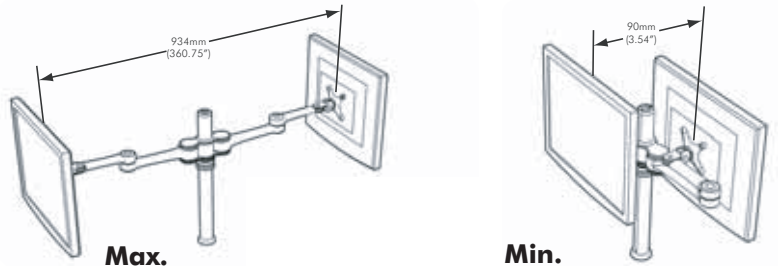


When positioning displays side-by-side (above) the maximum display width is 780mm (30.71")

## D The FlexiStar™ mechanism



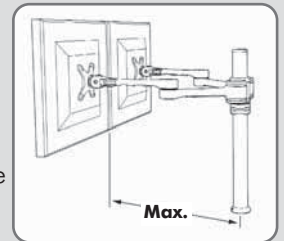
## E Min/Max Display Distance



**NOTE:**

The Visidec Focus Articulated Arm Double can be configured so that the displays are positioned side by side.

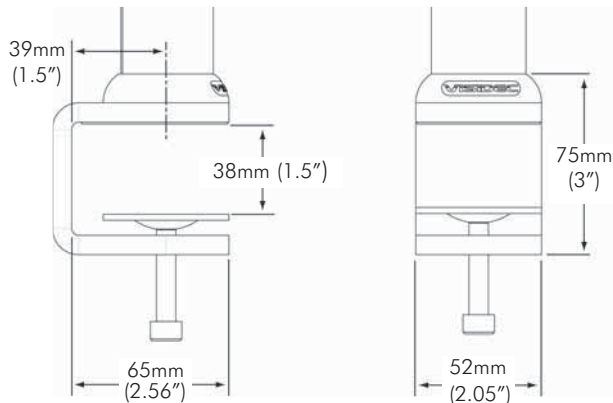
The maximum distance from the pole to the back of the display will be determined by the size of the displays.



## F Desk Mounting Options

### Desk Clamp

Desk Clamp suits desktop thicknesses of **12mm - 38mm (0.5"-1.5")**



### Bolt Through

Bolt Through suits desktop thicknesses of **12mm - 40mm (0.5" - 1.5")**

