











Professional mounting solutions for the home and office

Focus | Desk monitor arm VF-AT

The Visidec Focus VF-AT is an ergonomic and space saving desk mount for use in office, home and retail environments. It is designed to lift your monitor into an elevated position to free up desk space and help reduce neck and eye strain. Cabling is managed to reduce clutter while productivity is enhanced through improved operational flexibility with facility to adjust screen position, tilt/ pan, and portrait/landscape orientation. Height and focal distance are adjustable with fingertip control while the mount while upgraded with additional display and/or notebook arms for a truly integrated workstation solution.

-  Suits 75x75mm & 100x100mm mounting (100x200mm optional)*
-  max display weight: 8kg (17.5lbs)
-  Articulated positional adjustment
-  Adjustable tilt and pan
-  Flexible desk mounting
-  Tool-less height adjustment
-  Allows rotation around Pole
-  Adjustable screen orientation



Product key features:

- ✘ Articulated design with 3 pivot points for an extended reach, improved positional adjustment and a flush retracted position
- ✘ Designed for monitors 12" or larger up to 8kg (17.5lbs)
- ✘ Allows 360° rotation around the pole
- ✘ Adjustable tilt: +/- 70°
- ✘ Adjustable pan: +/- 90°
- ✘ Allows landscape to portrait screen rotation
- ✘ Maximum arm reach: 413mm (16.25")
- ✘ Display height adjustment range: 345mm (13.5")
- ✘ Bolt through and desk clamp mounting options included
- ✘ Integrated cable management
- ✘ Comes with all mounting hardware
- ✘ Durable design with 10 year warranty



Articulated design for a wider range of movement

360° rotation around the pole

Sleek & contemporary design

Attachment head allows for screen tilt, pan & rotation

Tool-less height adjustment

Bolt through & desk clamp mounting options included

Internal & external cable management options

Can be upgraded with additional notebook and/or display accessory arms



* 200x100 VESA mounting support via optional adaptor accessory



Atdec Global www.atdec.com.au
Atdec North America www.atdec.com

Product information, single unit

| Load capacity | Material | Color |
|---------------|----------|----------|
| 8kg (17.5lbs) | Aluminum | Polished |

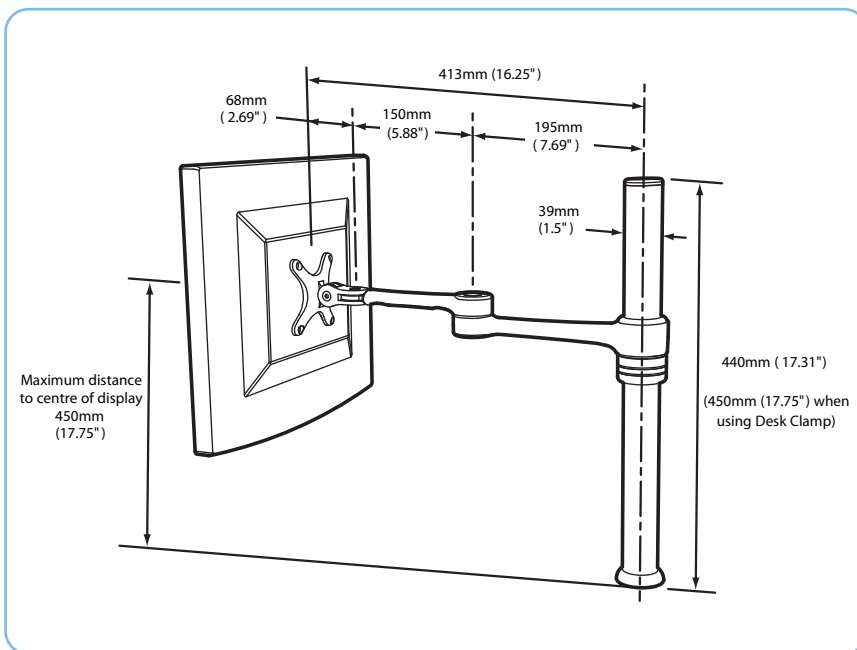
Package information, single unit

| Size | Ship weight | UPC code | Contents |
|--|----------------|--------------|--|
| 50cm x 20cm x 10cm (19.75" x 7.75" x 3.75") | 2.6kg (5.4lbs) | 881493004337 | Install guide, display mounting hardware, bolt through and clamp attachments |

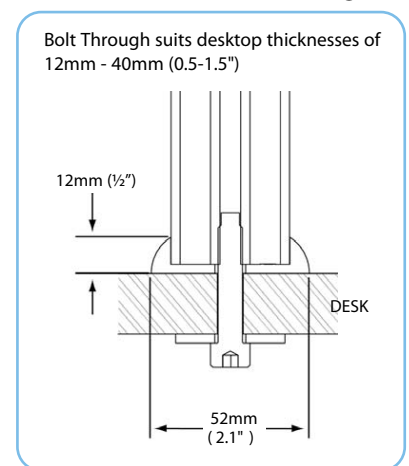
Package information, master pack

| Size | Ship weight | UPC | Units per master pack |
|--|----------------|--------------|-----------------------|
| 62cm x 56cm x 22cm (24" x 20" x 9") | 17kg (35.6lbs) | 881493002661 | 6 |

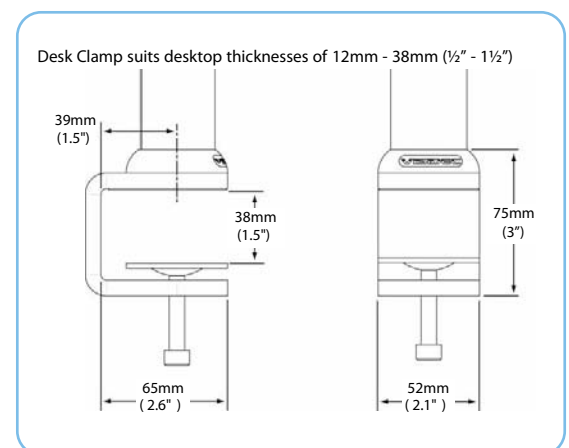
Technical drawings



Bolt Through



Desk Clamp



Related Products and accessories:

| | |
|------------|-----------------------------------|
| VF-AT-NP | Notebook Desk Mount |
| VF-AT-AA | Additional Display Accessory Arm |
| VF-AT-NK | Additional Notebook Accessory Arm |
| AC-AP-2010 | 100x200mm VESA Adaptor |

Atdec mounts are designed, developed and tested in Australia. We manufacture an extensive range of display and projector mountings for a variety of user types and situations. While all efforts have been made to ensure the information in this brochure was correct as of the date of printing, we reserve the right to change specifications without notice. Please refer to the website for our full range along with the latest details on specifications, compatibility and dealer location. Atdec and telehookare registered trademarks with all rights reserved. Copyright May 2011 V2.0



Atdec Global www.atdec.com.au
Atdec North America www.atdec.com