

Technical Specifications

TELEHOOK

30"-50" UNIVERSAL ROTATING MOUNT

A General Features

Display Compatibility

Suits Displays from 30" (76cm) to 50" (127cm)

Display Weight Compatibility

Max. 85kgs (187lbs)

Display Mounting Options

Configuration 1: Suits VESA compliant 100mmx100mm (4"x4") and 100mmx200mm (4"x8")

Configuration 2: Suits 200mm x 200mm to 400mm (8"x8"-15 3/4")

Configuration 3: Suits 260mm to 660mm (10 1/4"-26") x 200mm to 400mm (8"-15 3/4")

Colour

Silver

Warranty

5 years warranty

Security Feature

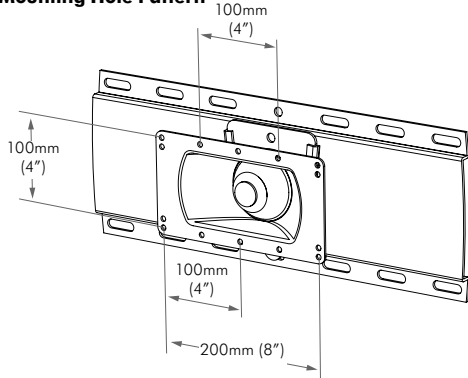
Padlock Tab: suits max. \varnothing 4mm ($3/16"$) Shackle. (Padlock Not Included)

Shipping Carton

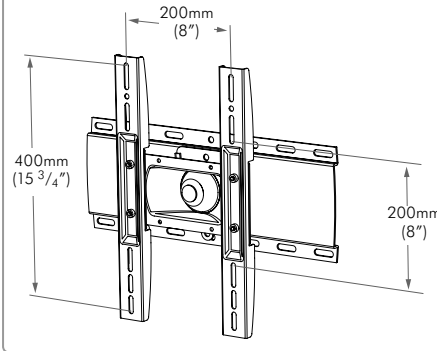
Dimensions (LxWxH): 768mmx256mmx95mm ($30^{5/16}" \times 10^{1/4}" \times 3^{3/4}"$)

Weight: 8.5kgs (18.7lbs)

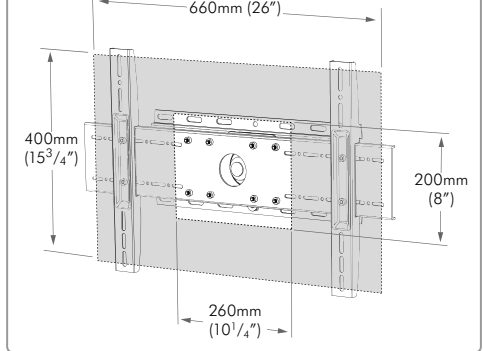
Configuration 1: Mounting Hole Pattern



Configuration 2 Mounting Hole Pattern

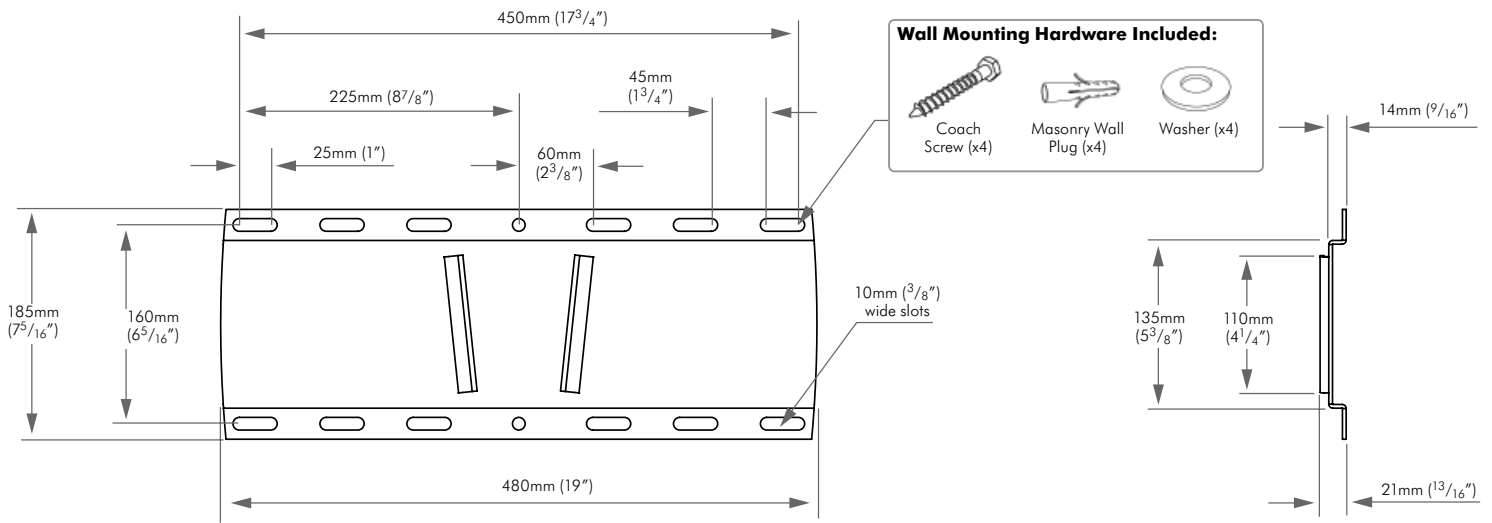


Configuration 3 Minimum and Maximum Mounting Hole Pattern

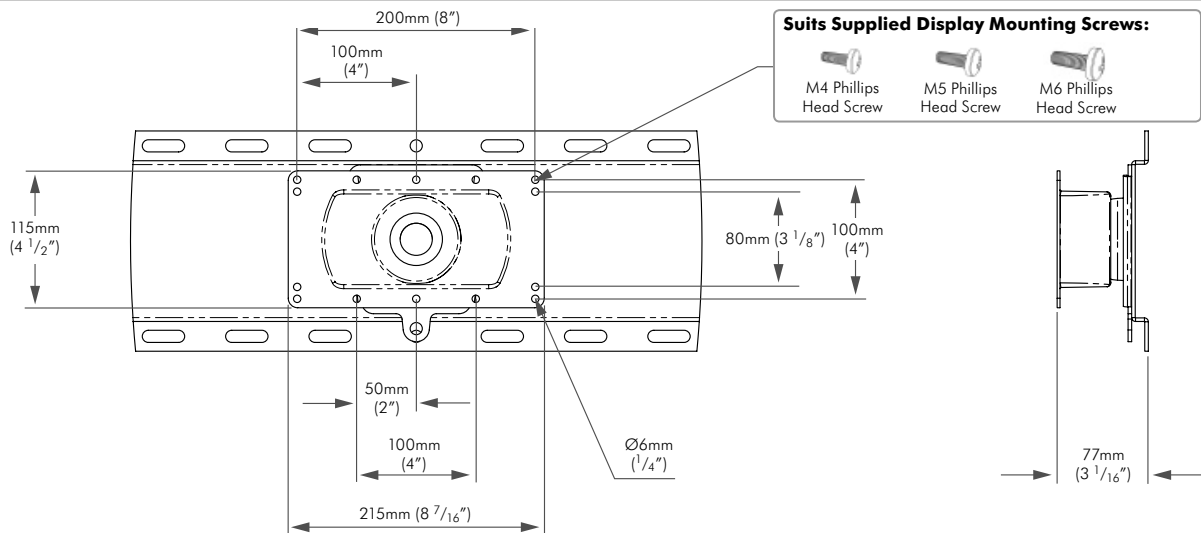


B Overall Dimensions

Wall Plate

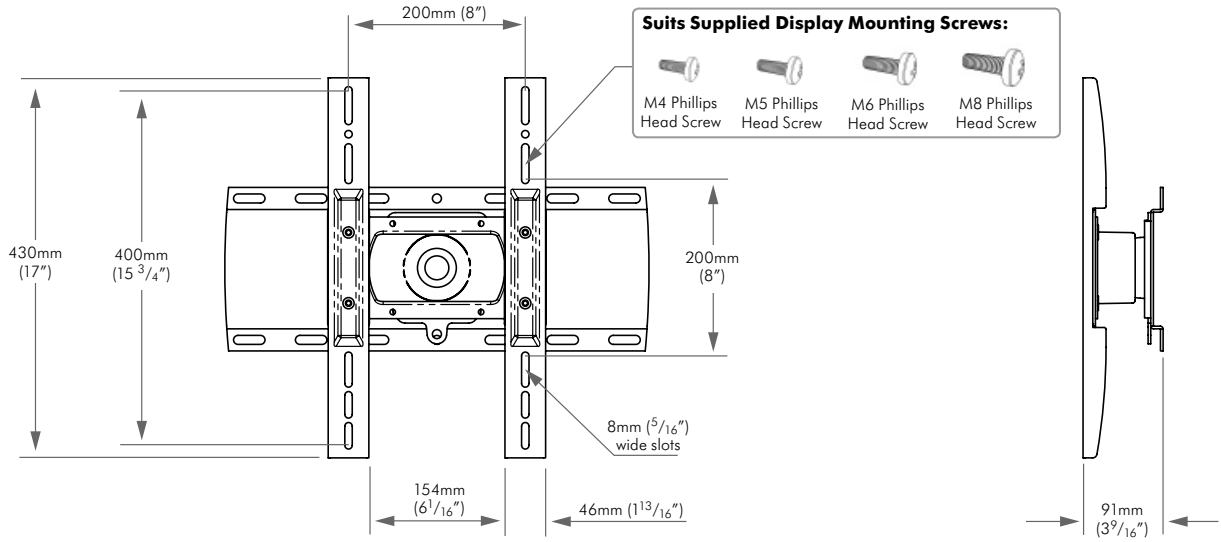


Configuration 1

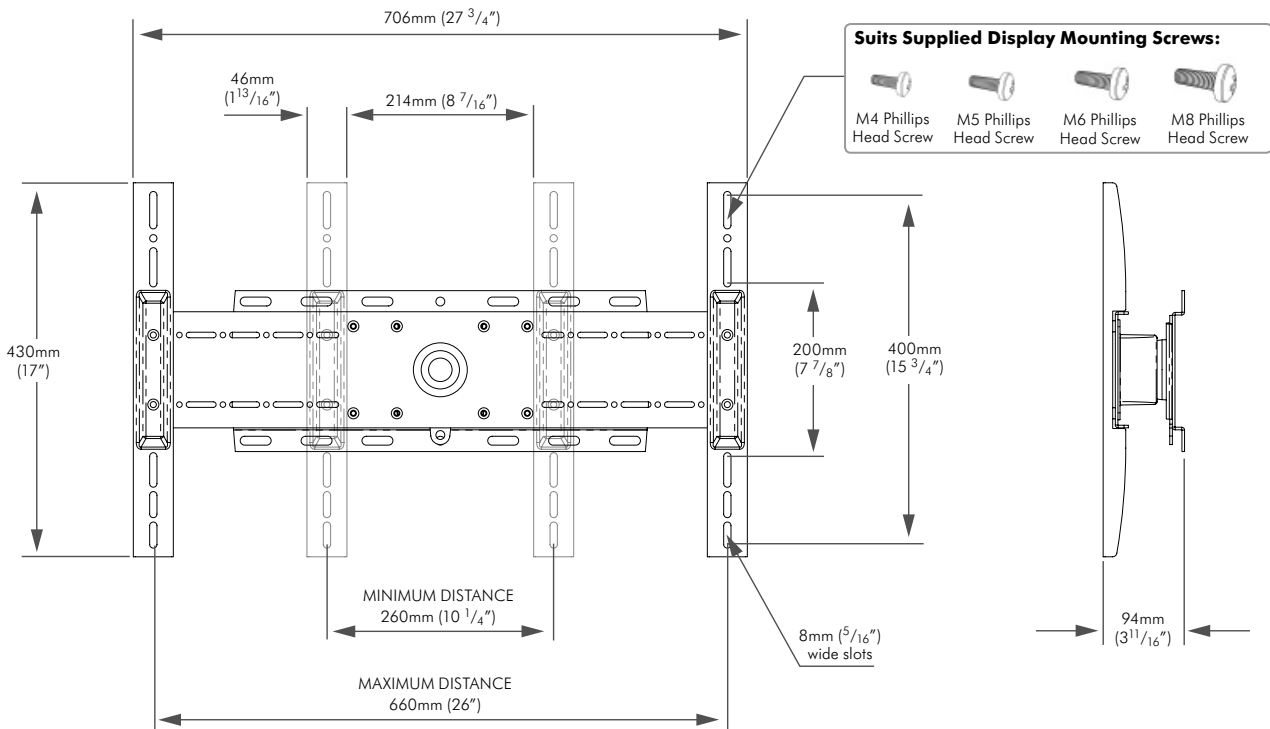


B Overall Dimensions

Configuration 2



Configuration 3



C Range of Movement

Range of Movement Settings

All three configurations have identical portrait/landscape rotation of 360 degrees.

Configuration 1:

Adjustable pan of: $\pm 20^\circ$
Adjustable tilt of: $\pm 20^\circ$

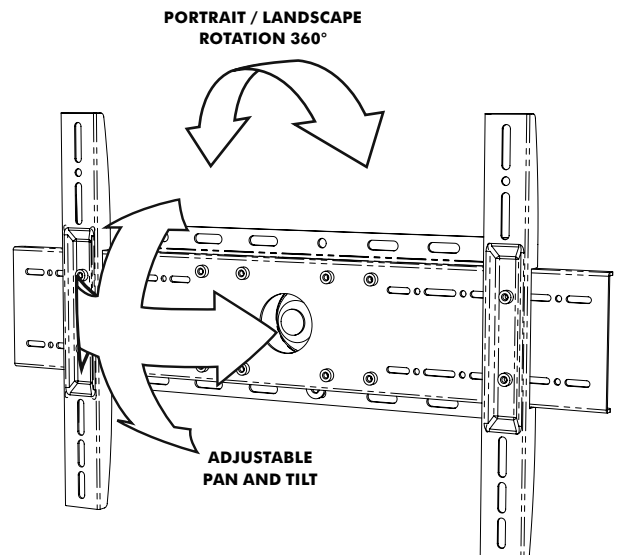
Configuration 2:

Adjustable pan of: $\pm 20^\circ$
Adjustable tilt of: $\pm 20^\circ$

Configuration 3:

Adjustable pan of: $\pm 10^\circ$
Adjustable tilt of: $\pm 20^\circ$

Range of movement can be friction set to one-touch adjustment for effortless adjustment, or set to a firmly fixed position.



the visual display mounting company