



Installation Instructions

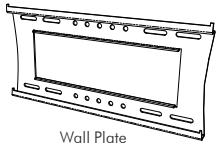
TELEHOOK

23"-37" UNIVERSAL FIXED WALL MOUNT

Important Notes

- The Telehook 23-37 Universal Fixed Wall Mount supports LCD and Plasma Flat Panel Displays from 23" (58cm) to 37" (94cm) and supports a maximum load of 36kgs (80lbs).
- This product suits displays with mounting hole patterns from 180mm to 435mm wide (7" to 17") by 100mm to 330mm high (4" to 13").
- The manufacturer does not accept responsibility for incorrect installation.

Component Checklist



Wall Plate



Display Bracket (x2)

TOOLS REQUIRED:

- Power Drill
- 10mm or 6mm Drill Bit
- Phillips Head Screw Driver
- Spirit Level
- 13mm (1/2") Socket Wrench or Shifter



Security Bracket (right)



Security Bracket (left)

Bits Bag



Coach Screw (x4)



Masonry Wall Plug (x4)



Dry Wall Anchor (x4)



Multi Washer (x4)



Washer (x4)



Recessed Hole Bush (x4)



Spacer Bush (x4)

Mounting Screws



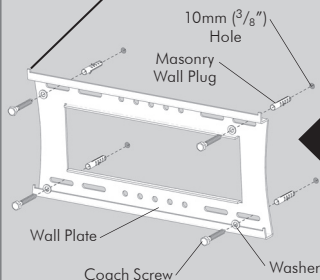
Cross Recess Screws

M8x15mm / M8x35mm / M8x45mm (x4 each)
 M6x15mm / M6x35mm / M6x45mm (x4 each)
 M5x15mm / M5x35mm / M5x45mm (x4 each)
 M4x15mm / M4x35mm / M4x45mm (x4 each)

A Mounting the Wall Plate

Masonry Wall

Note: Ensure the Wall Plate is mounted with the folded tabs pointing upwards.

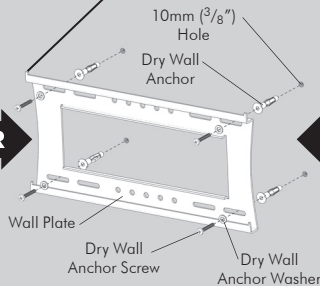


TIP: Use a spirit level to ensure the wall plate is horizontal

It is recommended when mounting directly into masonry wall, that the mounting holes are positioned as far apart as possible, and ensure not to drill directly into mortar.

Dry Wall

Note: Ensure the Wall Plate is mounted with the folded tabs pointing upwards.

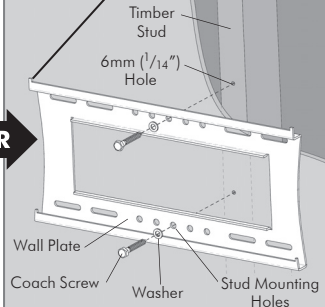


TIP: Use a spirit level to ensure the wall plate is horizontal

It is recommended that when mounting directly into dry wall, that the mounting holes are positioned as far apart as possible, to ensure an equal distribution of load through out the wall.

Timber Stud Wall

Note: Ensure the Wall Plate is mounted with the folded tabs pointing upwards.



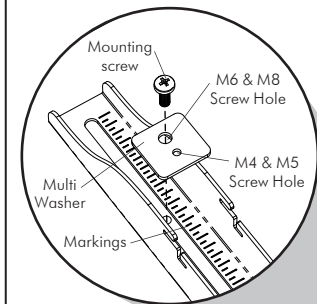
TIP: Use a spirit level to ensure the wall plate is horizontal

Use a stud finder to precisely locate the timber stud and ensure that the mounting holes are located in the centre of the stud. It is recommended to mount the Wall Plate using one of the five sets of stud mounting holes.

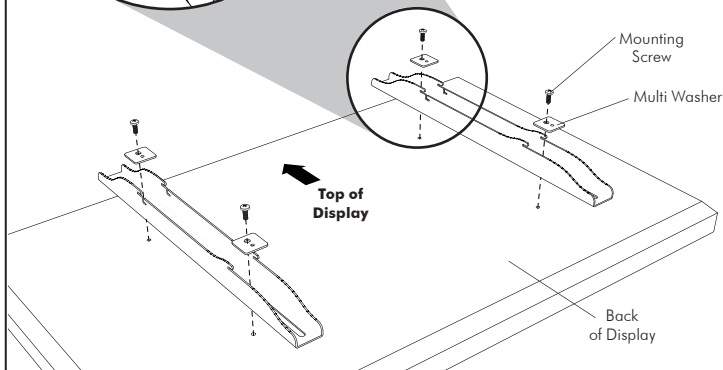




B Mounting the Display Brackets

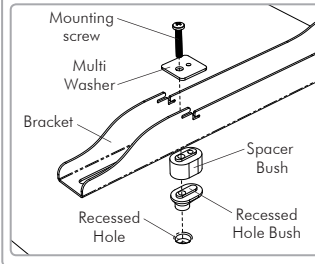


When attaching the Brackets to the Display use the markings on the brackets to ensure that both brackets are vertically aligned. Ensure that the markings are positioned towards the top of the display and that the tightest fitting hole in the multi washer is used when attaching the mounting screw to the display.



Recessed Mounting Holes

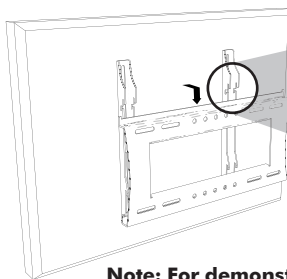
If the mounting holes are recessed into the back of the display, use the supplied Recessed Hole Bushes to pack the recessed hole. If the brackets require further clearance from the display attach the Spacer Bushes. Ensure that the brackets are securely fixed to the display.



C Attaching the display to the wall plate

Note: This procedure will require two persons

With the Brackets attached to the display, lift the display and hook the brackets onto the Wall Plate as shown.

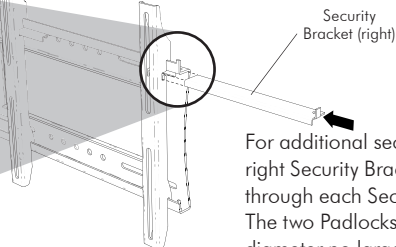
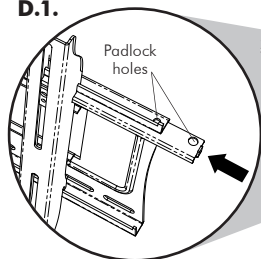


Note: For demonstration purposes, the wall has been omitted from the above images.

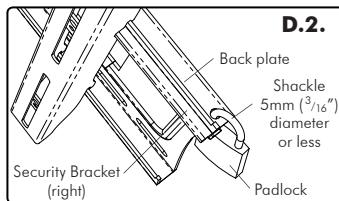
D Security Option

Note: For demonstration purposes, the display has been omitted from the images below.

D.1.



D.2.



For additional security, it is suggested that the left and right Security Brackets be inserted and a Padlock attached through each Security Bracket and the Wall Plate as shown. The two Padlocks (not supplied) should have a shackle diameter no larger than 5mm ($\frac{3}{16}$ ”).



the visual display mounting company

Due to continuing product development, the manufacturer reserves the right to alter specifications without notice. Published: 23.04.07 ©

