

Installation Instructions

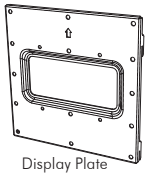
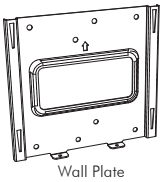
TELEHOOK

20"-37" WALL MOUNT

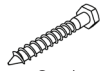
Important Notes

- The Telehook 20-37 Wall Mount supports Flat Panel Displays from 20" (50cm) to 37" (94cm) and supports a maximum load of 30kgs (66lbs).
- This product only supports VESA compliant displays with 100mm x 100mm (4"x4"), 100mm x 200mm (4"x8") and 200mm x 200mm (8"x8") mounting hole patterns.
- The manufacturer does not accept responsibility for incorrect installation.

Component Checklist



Bits Bag



Mounting Screws



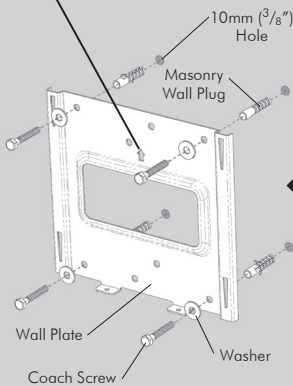
TOOLS REQUIRED:

- Power Drill
- 10mm or 6mm Drill Bit
- Phillips Head Screw Driver
- Spirit Level
- Socket Wrench or Shifter

A Mounting the Wall Plate

Masonry Wall

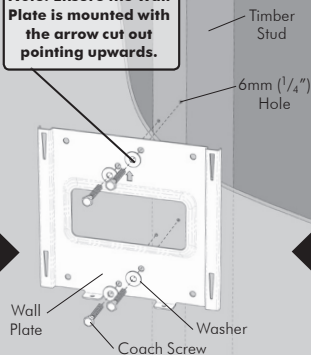
Note: Ensure the Wall Plate is mounted with the arrow cut out pointing upwards.



TIP: Use a spirit level to ensure the wall plate is horizontal

Timber Stud Wall

Note: Ensure the Wall Plate is mounted with the arrow cut out pointing upwards.

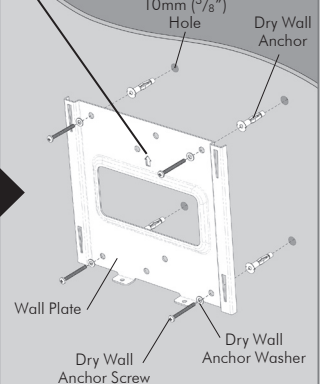


TIP: Use a spirit level to ensure the wall plate is horizontal

Use a stud finder to accurately locate the centre of the stud. Ensure that all four screws fix securely into the stud

Dry Wall

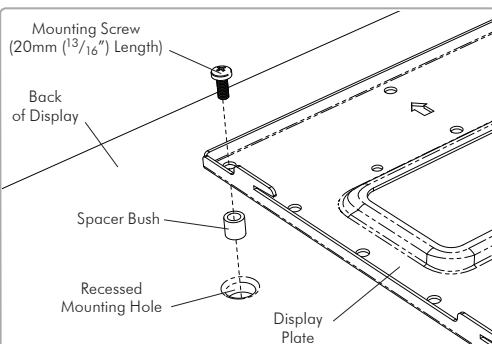
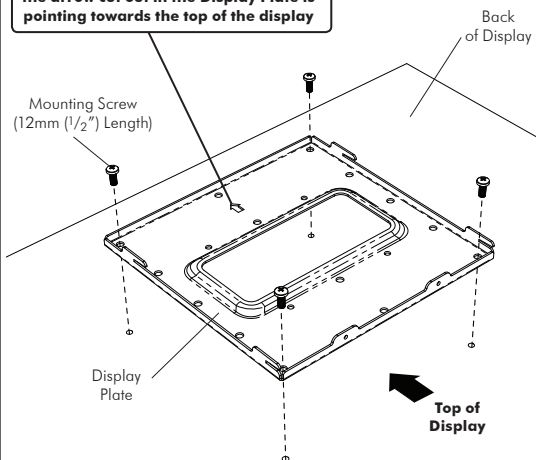
Note: Ensure the Wall Plate is mounted with the arrow cut out pointing upwards.



TIP: Use a spirit level to ensure the wall plate is horizontal

B Mounting the Display Plate

Note: When attaching the Display Plate to the back of the display, ensure that the arrow cut out in the Display Plate is pointing towards the top of the display

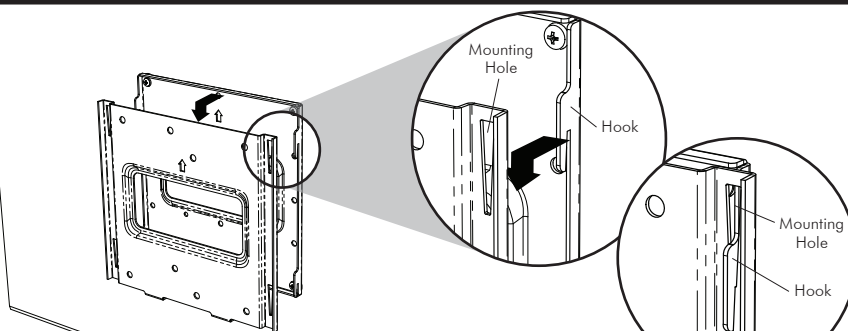


Recessed Mounting Holes

If the mounting holes are recessed into the back of the display, use the supplied Spacer Bushes to pack the recessed holes. Ensure that the correct 20mm length mounting screws are used to securely fix the plate to the display.

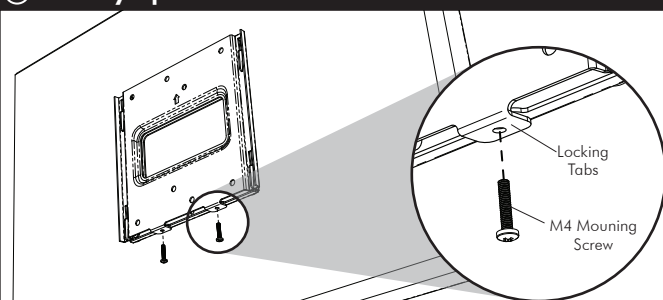
C Attaching the Display to the Wall Plate

With the Display Plate attached to the display, lift the display and hook the plate through the four corresponding mounting holes in the Wall Plate as shown.



Note: For demonstration purposes, the wall has been omitted from the above image.

D Security Option



To properly secure the display to the wall it is recommended to use two of the supplied M4 mounting screws to securely attach the two plates together.

Note: For demonstration purposes, the wall has been omitted from the above image.

