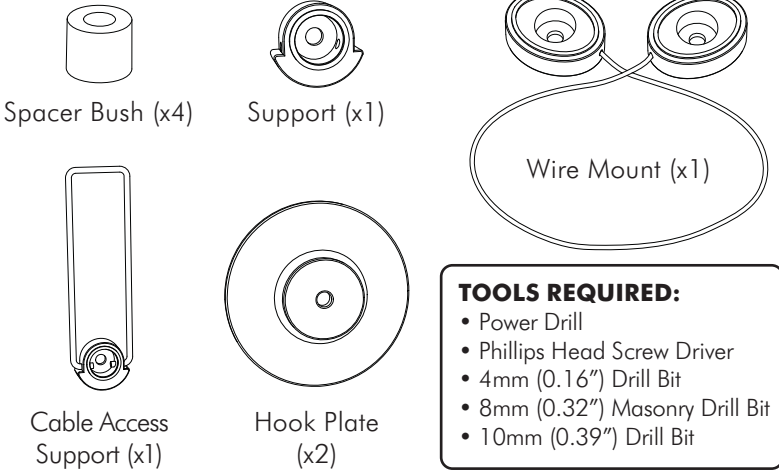






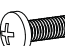



Note: This product is suitable for LED/LCD displays with VESA mounting hole configurations 400mm (16") wide, supporting a maximum weight of 50 kg (110 lbs). The Manufacturer does not take responsibility for incorrect installation.

Component Checklist



- TOOLS REQUIRED:**
- Power Drill
 - Phillips Head Screw Driver
 - 4mm (0.16") Drill Bit
 - 8mm (0.32") Masonry Drill Bit
 - 10mm (0.39") Drill Bit

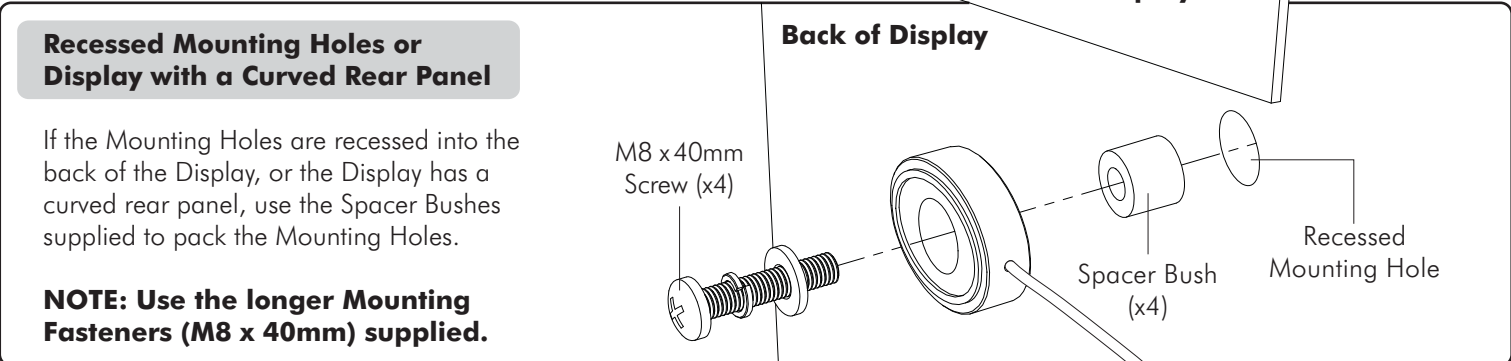
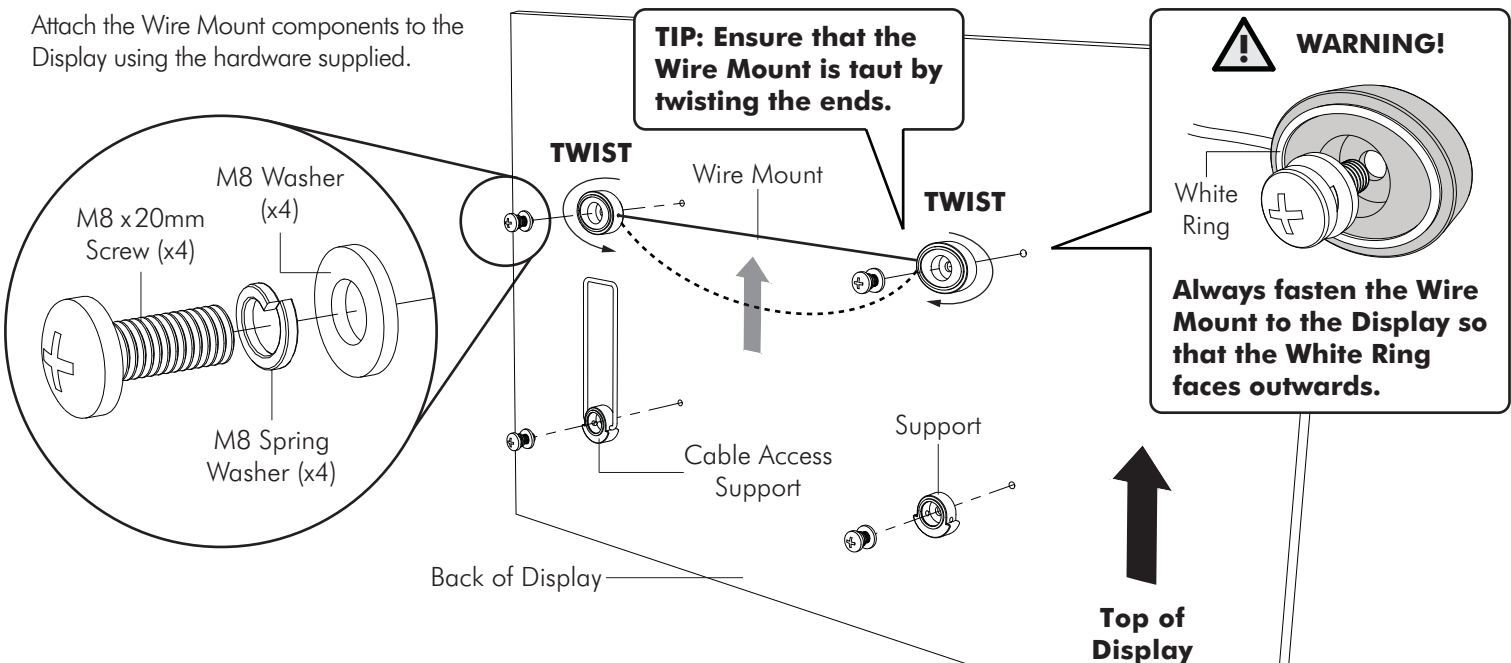
Hardware			
	M6 Washer (x2)		Nylon Anchor (x2)
	M8 Washer (x4)		Dry Wall Anchor (x2)
	M8 Spring Washer (x4)		Wall Mount Screw (x2)
Mounting Fasteners			
	M8 x 20mm Screw (x4)		M8 x 40mm Screw (x4)

Step 1. Component Checklist

Check you have received all parts against the Component Checklist above.

Step 2. Attach Wire Mount to the Display

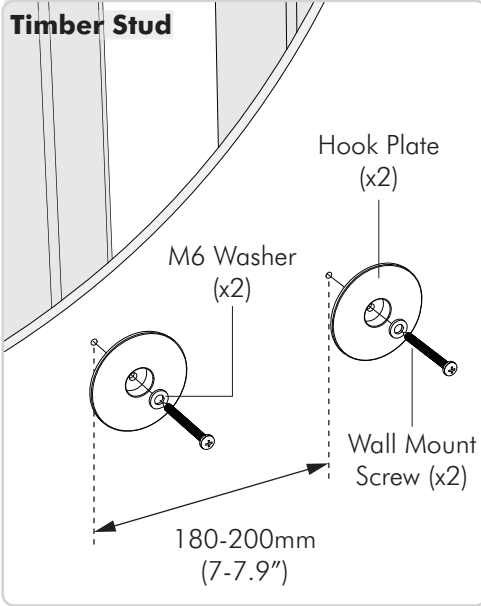
Attach the Wire Mount components to the Display using the hardware supplied.



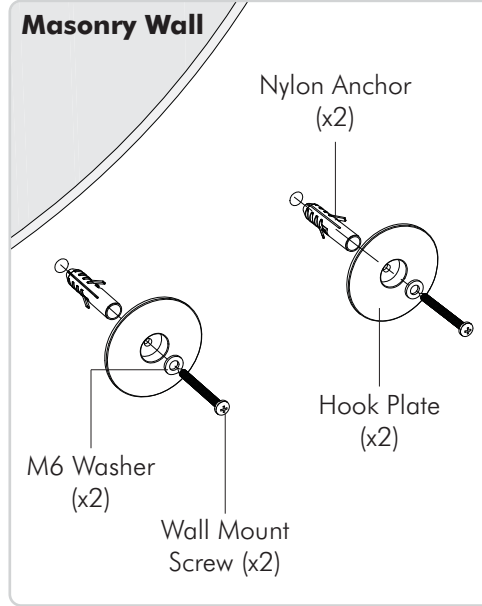
Step 3. Mount the Hook Plates on the Wall

Choose from one of the following Mounting options (see below), **Timber Stud**, **Masonry Wall**, or **Dry Wall**.

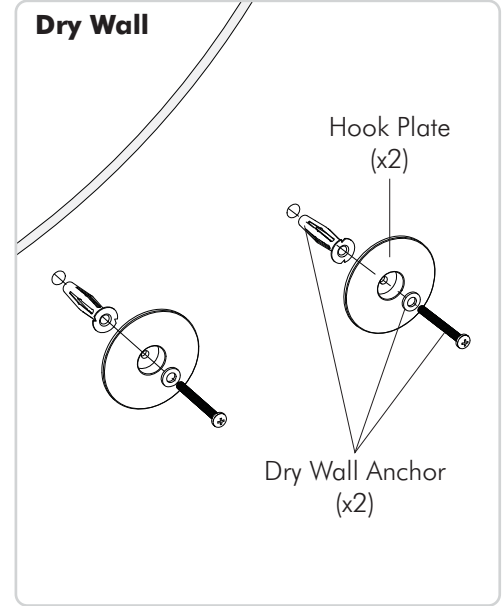
Fasten the Hook Plates 180-200mm (7-7.9") apart, using the appropriate Mounting Hardware supplied to suit the type of wall.



Drill two holes 50mm (2") deep using a 4mm (0.16") drill bit.



Drill two holes 50mm (2") deep using an 8mm (0.32") Masonry drill bit.

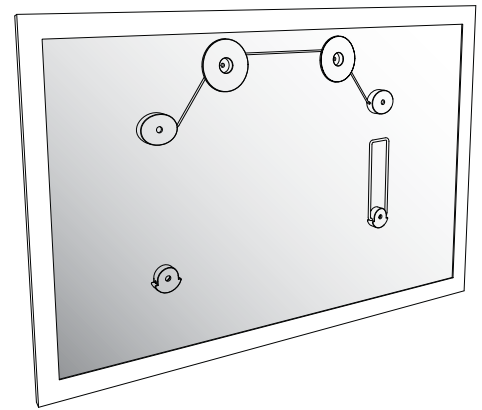
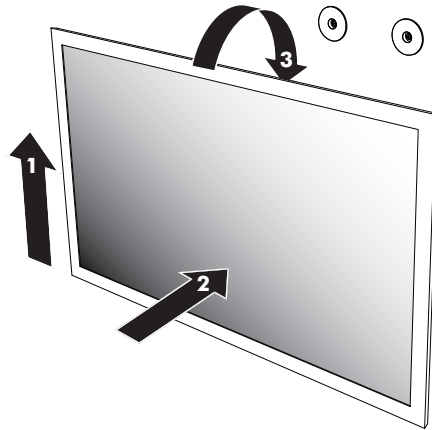


Drill two holes 60mm (2.36") deep using a 10mm (0.39") drill bit.

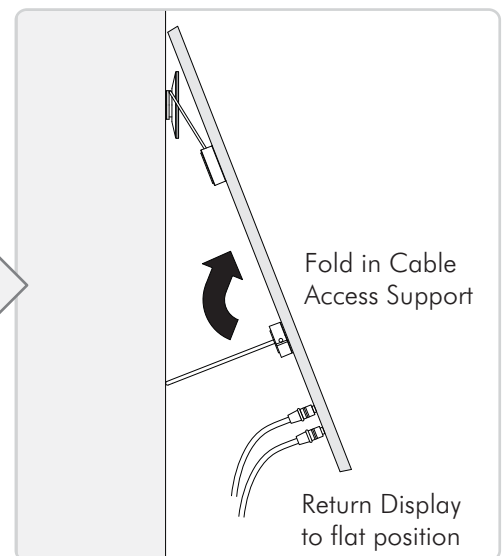
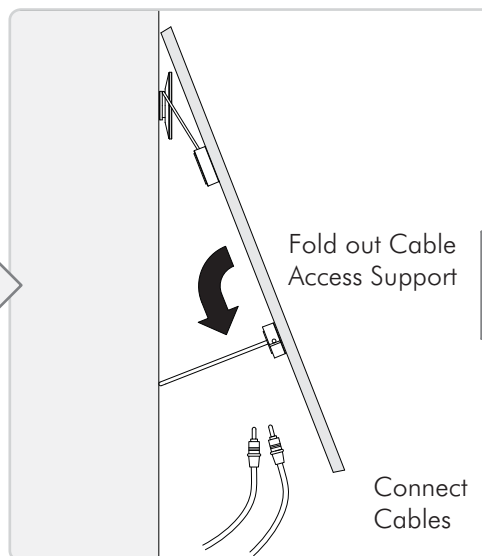
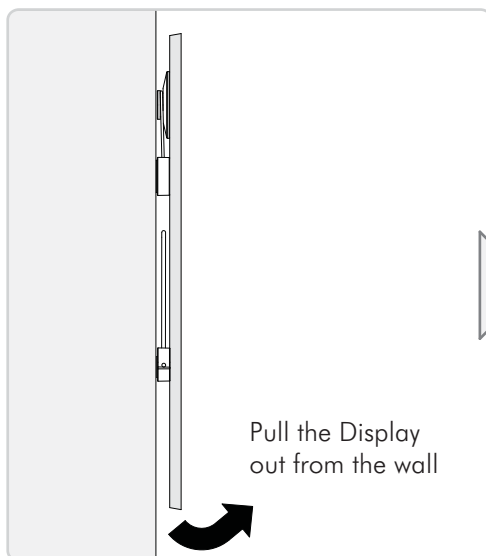
Step 4. Hang the Display on the Wall

(2 people required)

1. Lift the Display so that the Wire Mount is above the Hook Plates.
2. Push the Display in, so that it touches the wall.
3. Gradually lower the Display until it is hanging from the Hook Plates.



Step 5. Cable Access



Installation Complete

