

# Installation Instructions

# TELEHOOK

## 37"-63" ARTICULATED WALL MOUNT

### Important Notes

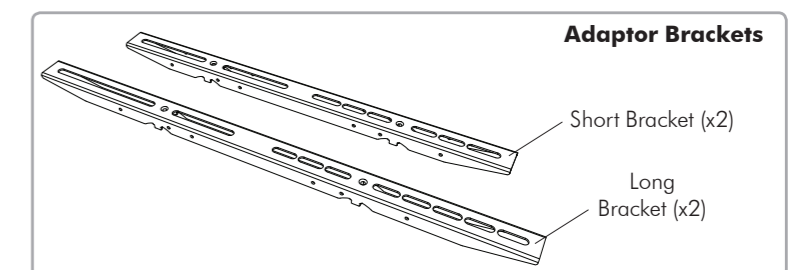
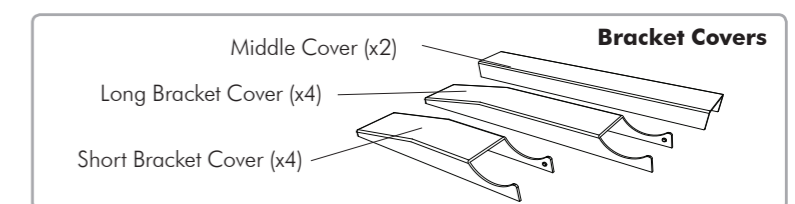
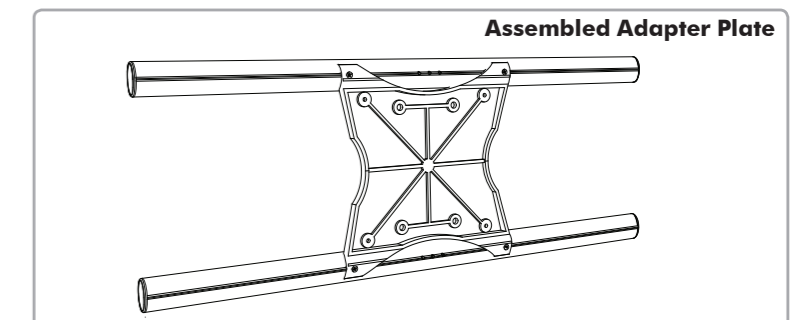
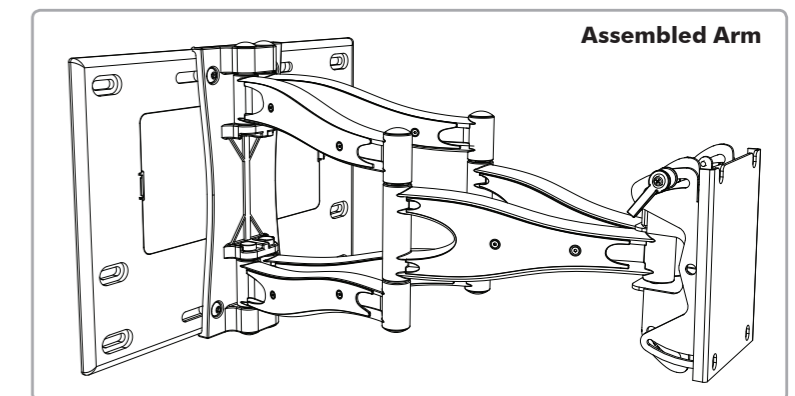
- Installation will require a minimum of two people. Under no circumstances should this be attempted by one person.
- We highly recommend this product be installed by a qualified professional.
- Please do not begin installation until you have thoroughly read and understood these instructions.
- The Telehook 37-63 Articulated Wall Mount supports flat panel displays from 37" (94cm) to 63" (160cm) and supports a maximum load of 91kgs (200lbs).
- Ensure the wall you plan to use will safely support four times the combined weight of the Telehook 37-63 Articulated Wall Mount [16kg (35.5lbs)] and your chosen display.
- Under no circumstances should this product be mounted to metal studs.
- The manufacturer does not accept responsibility for incorrect installation.

### BITS BAG

ID	DESCRIPTION	QTY
A	PHILLIPS M4x35mm (1 <sup>3</sup> / <sub>8</sub> "	4
B	PHILLIPS M5x35mm (1 <sup>3</sup> / <sub>8</sub> "	4
C	PHILLIPS M6x35mm (1 <sup>3</sup> / <sub>8</sub> "	4
D	PHILLIPS M8x35mm (1 <sup>3</sup> / <sub>8</sub> "	4
E	PHILLIPS M4x45mm (1 <sup>3</sup> / <sub>4</sub> "	4
F	PHILLIPS M5x45mm (1 <sup>3</sup> / <sub>4</sub> "	4
G	PHILLIPS M6x45mm (1 <sup>3</sup> / <sub>4</sub> "	4
H	PHILLIPS M8x45mm (1 <sup>3</sup> / <sub>4</sub> "	4
I	5/8" SPACER	4
J	3/4" SPACER	4
K	METAL WASHER	6
L	NYLON WALL PLUG	6
M	COACH SCREWS M10 x 90mm (3 <sup>9</sup> / <sub>16</sub> ")	6
N	SQUARE WASHER	4
O	2.5mm ALLEN KEY	1
P	6mm ALLEN KEY	1
Q	SOCKET HEAD SCREWS M10x20mm (1 <sup>3</sup> / <sub>16</sub> ")	4

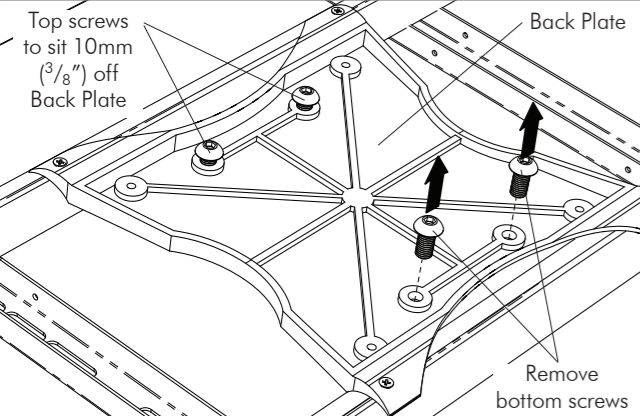
### TOOLS REQUIRED:

- Power Drill
- 6mm (1/4") Twist Drill or 13mm (1/2") Masonry Drill Bits
- Phillips Head Screw Driver
- Spirit Level
- 17mm (11/16") Socket Wrench or Shifter



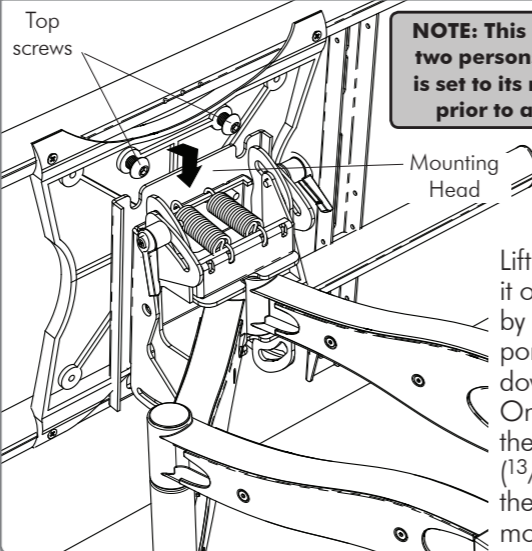
### E Mount Display to Arm

#### E.1. Remove/Adjust Screws



To attach the display to the Assembled Arm, first ensure that the top two M10x20mm (1<sup>3</sup>/<sub>16</sub>") screws sit 10mm (3/8") off the Back Plate and that the bottom two screws are removed.

#### E.2. Attach Plate to Arm



**NOTE:** This procedure will require two persons. Ensure that the arm is set to its maximum negative tilt prior to attaching the display

Lift the display and hook it over the mounting head by lowering the exposed portion of the top screws down the open key slots. Once in position, attach the bottom M10x20mm (1<sup>3</sup>/<sub>16</sub>") screws to secure the display to the mounting head.

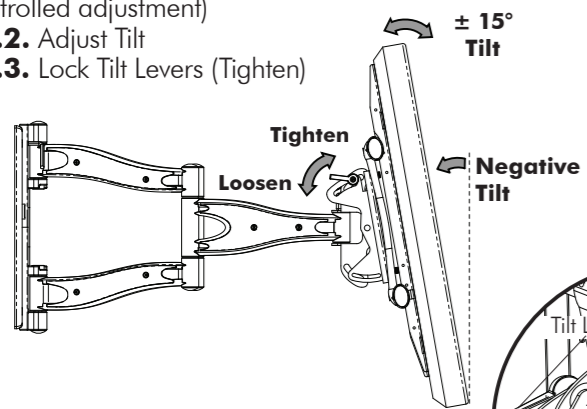
### F Adjust horizontal level & Tilt

#### F.1. Tilt Adjustment

**F.1.1.** Loosen Tilt Levers (Only enough to allow controlled adjustment)

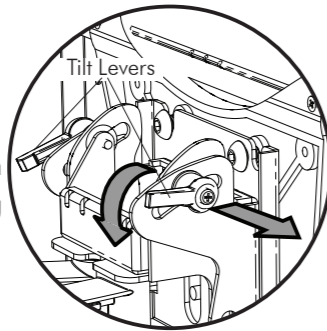
**F.1.2.** Adjust Tilt

**F.1.3.** Lock Tilt Levers (Tighten)



**WARNING:** Before removing your display, ensure the display has a negative Tilt and Tilt Lever is LOCKED!

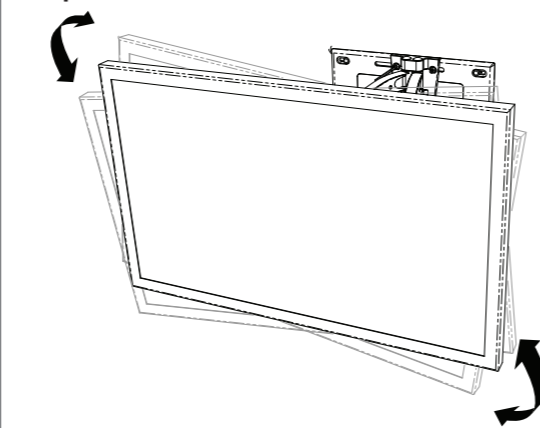
**F.1.4.** Once Tilt Levers are locked, the position of the levers can be adjusted without loosening or tightening the unit by pulling the levers outwards and then repositioning them to a vertical, less obtrusive position.



#### F.2. Horizontal Adjustment

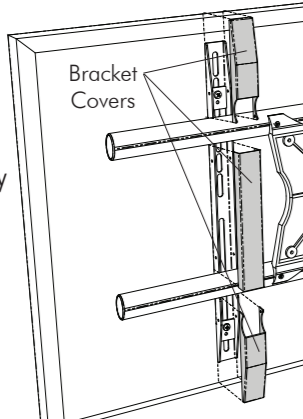
To adjust the horizontal angle of the display, firmly hold opposite corners of the display and gently turn it into the desired position

±5° Horizontal Adjustment



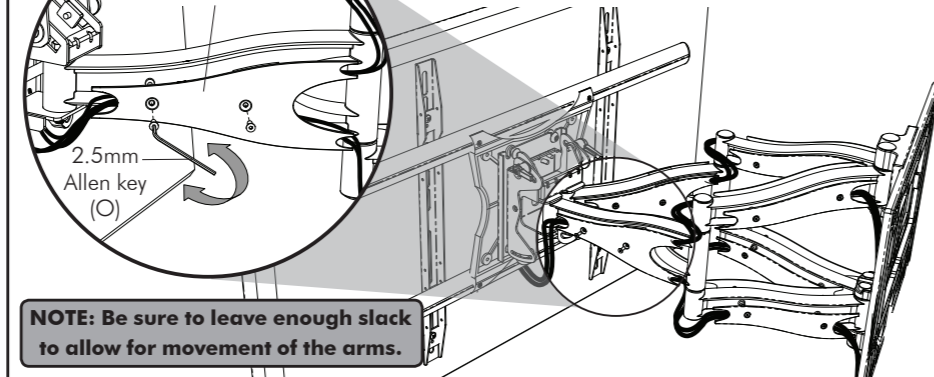
### G Install optional Covers

To increase the visual aesthetics of the product and conceal the mounting hardware, you may choose to attach the appropriate bracket covers as shown. The covers will snap fit into position.



### H Cable Management

Remove the installed Cable Management Covers using the provided 2.5mm Allen Key (O). Install cables as shown and re-attach covers.



**NOTE:** Be sure to leave enough slack to allow for movement of the arms.

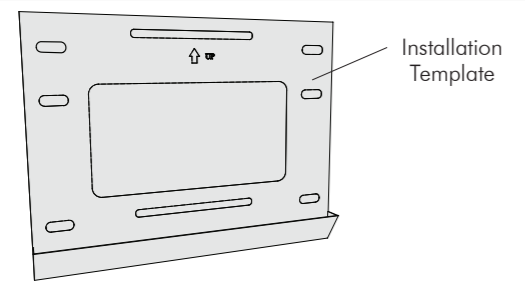


**A Mounting the Wall Plate**

**NOTE: ENSURE MOUNTING IS CARRIED OUT BY A MINIMUM OF TWO PEOPLE!**

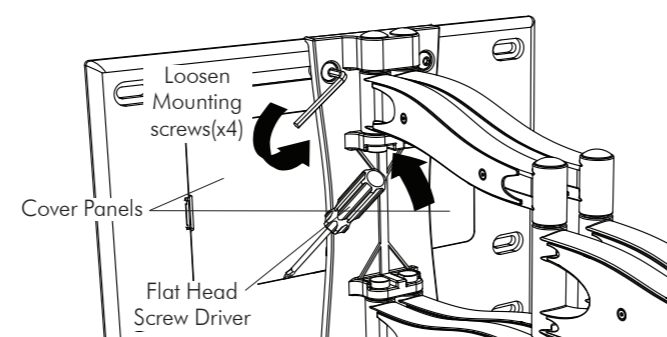
**A.1.** Carefully choose the mounting location for the wall mount. Ensure you take into account the size of your display and the range of movement.

**TIP: Use the provided installation template to locate holes and catch dust. Adhere Template to wall in desired location prior to drilling holes. Use a spirit level to ensure the wall plate is vertical.**



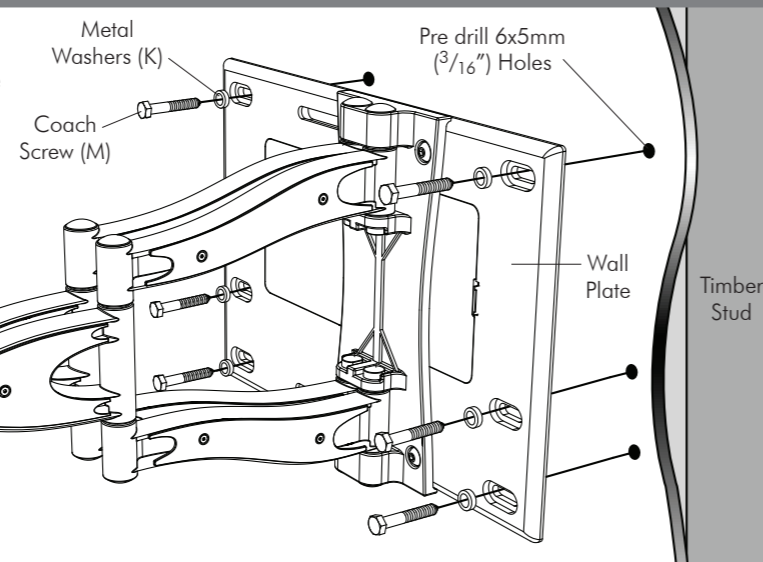
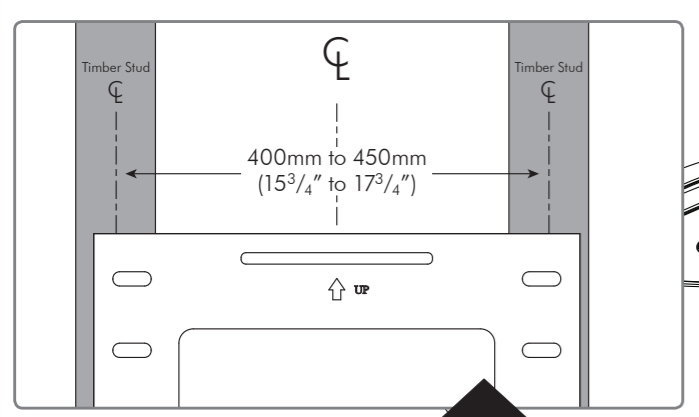
**A.2.** Attach the Wall Plate to the wall following the instructions below for either Timber Stud, Masonry or Concrete Block walls.

**NOTE: If the Wall plate obstructs a power outlet or electrical box, remove the cover panels as shown.**



**Timber Stud Wall**

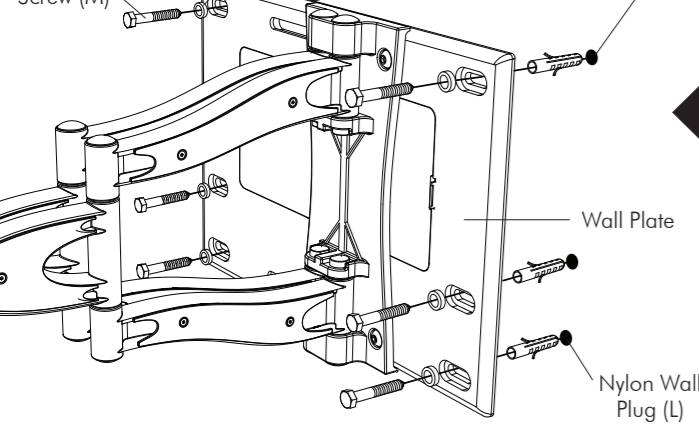
When attaching the wall plate to the timber stud, ensure that the plate spans over two studs and that the coach screws are fixed directly to the centre of both studs.



**OR**

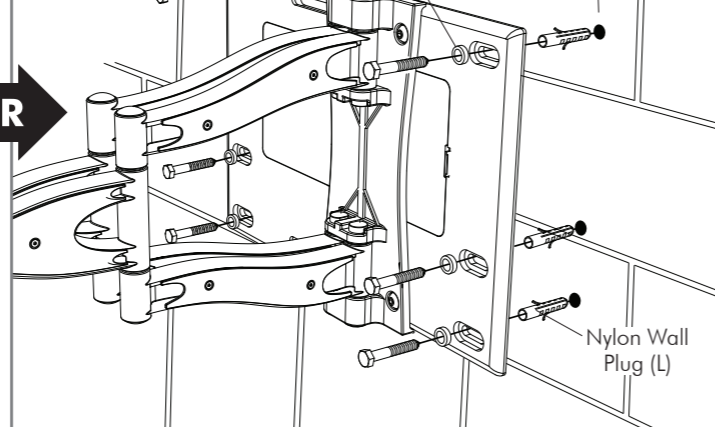
**Masonry Wall**

When attaching the wall plate to Masonry Wall, never drill into the mortar joints.



**Concrete Block Wall**

When attaching the wall plate to Concrete Blocks, drill into the solid portion of the block, approximately 25mm (1") from the sides and never drill into the mortar joints.

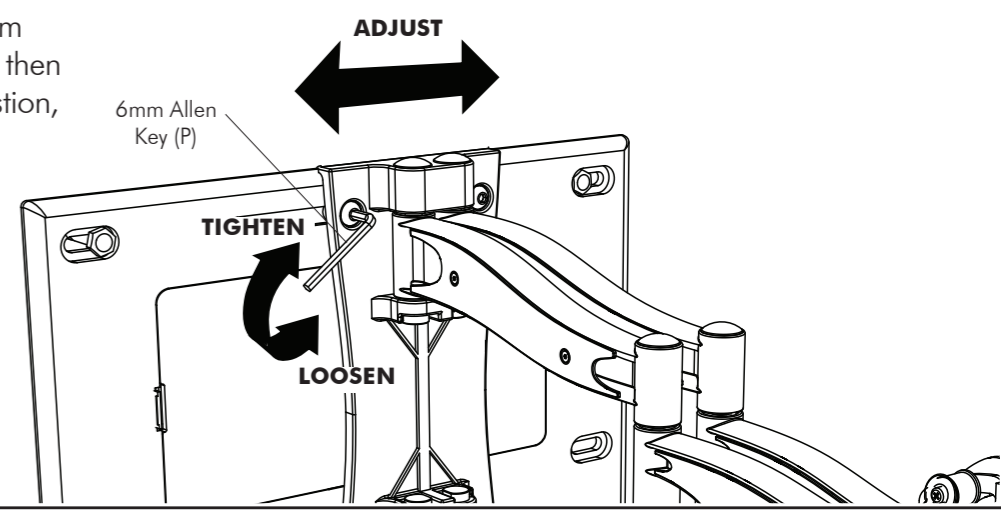


**OR**

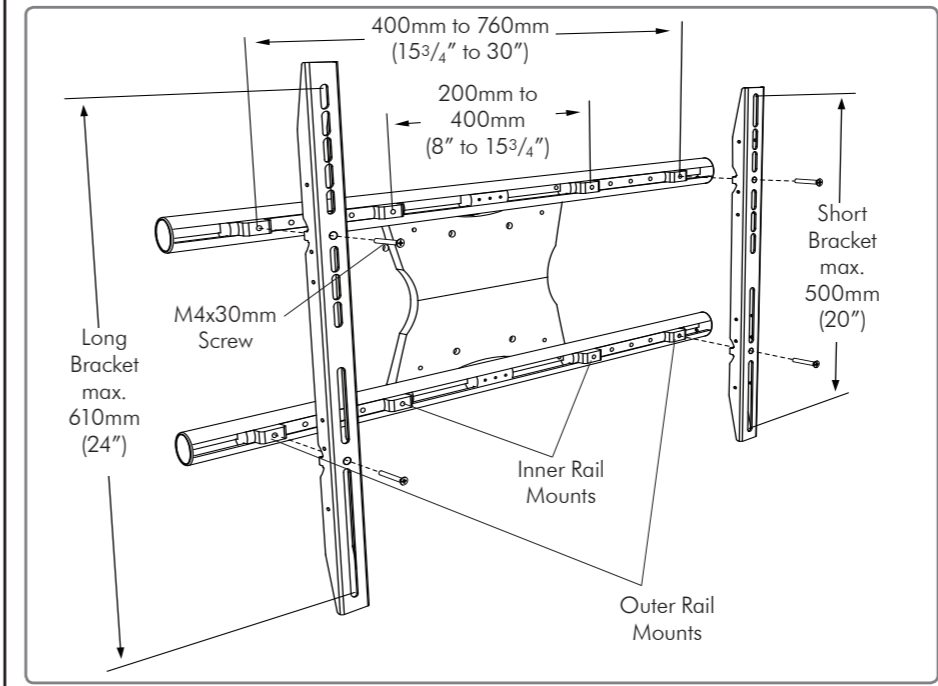
**TIP: Use a spirit level to ensure the wall plate is horizontal**

**B Adjust Lateral Arm Position**

To adjust the horizontal location of the arm on the Wall Plate, use the supplied 6mm Allen Key (P) to loosen the four screws, then adjust to desired location. Once in position, tighten the screws firmly.



**C Choose and attach mounting brackets**



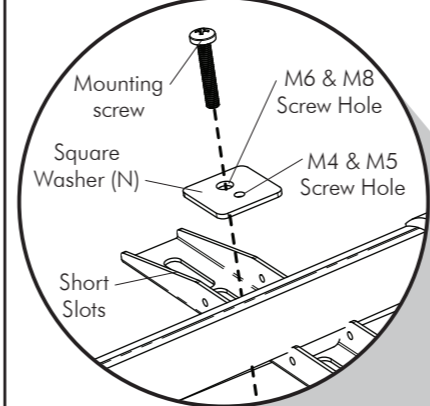
Measure the mounting hole pattern in the rear of your display to determine the required bracket size and where to position the brackets on the Rail.

If the vertical distance of the mounting holes are between 500mm to 610mm (20"-24"), use the long brackets supplied.

If the horizontal distance of the mounting holes are between 400mm to 760mm (15 3/4" - 30"), attach the chosen brackets to the outer Rail Mount.

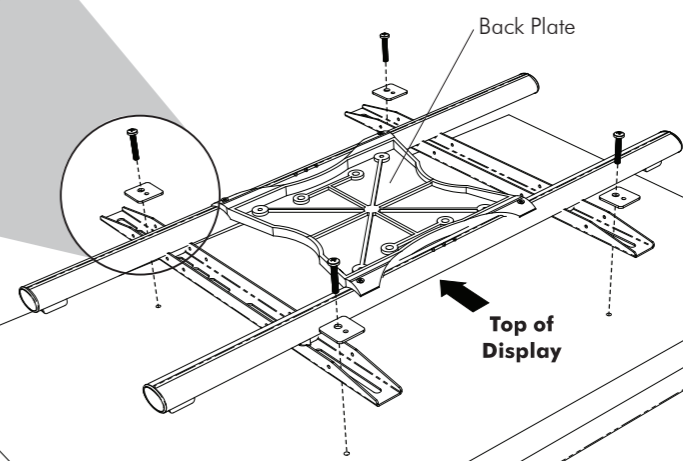
The M4x30mm (1 3/16") screws required to attach the brackets are located in the inner Rail Mounts. The screws will need to be removed before the brackets can be fixed to the Rail Mounts.

**D Attaching the Adapter plate to the Display**



Attach the Brackets to the display as shown. Ensure that the short slots in the brackets are positioned towards the top of the display and that the tightest fitting hole in the Metal Washer (K) is used when attaching the mounting screw to the display.

**NOTE: If the display has a horizontal mounting hole pattern of less than 280mm (11") and a vertical distance of less than 320mm (12 1/2"), it will be necessary to remove the back plate in order to attach the brackets to the display. Ensure the Back Plate is securely attached to the rails, after the brackets are attached to the display.**



**Recessed Mounting Holes**

If the mounting holes are recessed into the back of the display, use the supplied 5/8" Spacers (I) to pack the recessed hole. If the brackets require further clearance from the display, attach the 3/4" Spacers (J). Ensure the brackets are securely fixed to the display.

