

IMPORTANT

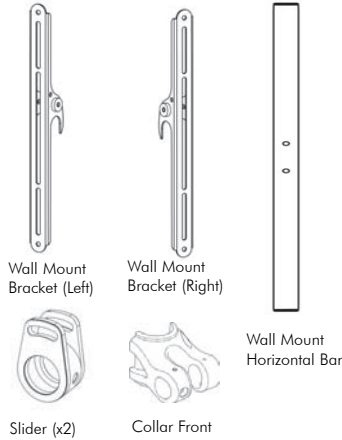
This Addendum **MUST** be used with the Installation Instructions supplied with Telehook Ceiling Tilt (TH-3070-CTW)

Installation Addendum TELEHOOK™

TH-3070-CTW Back to Back Conversion Kit

Component Checklist

Bits Box



WARNING

Failure to follow these installation instructions and those in the TH-3070-CTW may result in personal injury and/or damage to Audio/Visual equipment

Product check list:

- 1 x TH-3070-CTW (separate product)
- 1 x Back-to-Back conversion kit

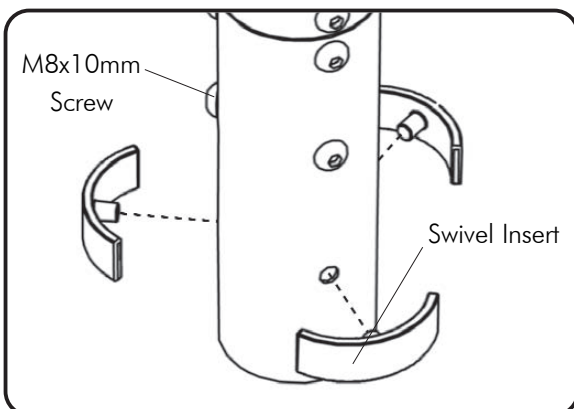
A Check Component Checklist and Product Checklist

Ensure you have received all components in both Component Checklist and Product Checklist

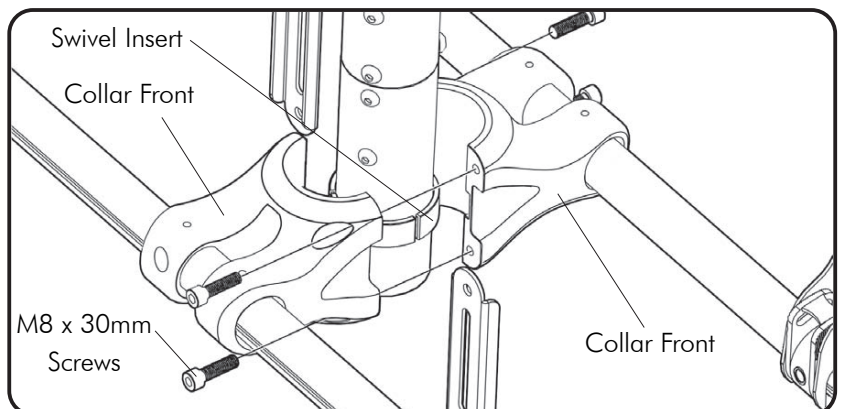
B Refer to the Telehook TH-3070-CTW Installation Instructions

- (1) Follow steps A, B, C on the Telehook TH-3070-CTW Installation Instructions.
- (2) Follow step D on Telehook TH-3070-CTW Installation Instructions and repeat for 2nd display.
- (3) Follow steps E,F and repeat for 2nd display bracket. Once complete, continue step C below.

C Attaching the Mount to the Ceiling Hanger

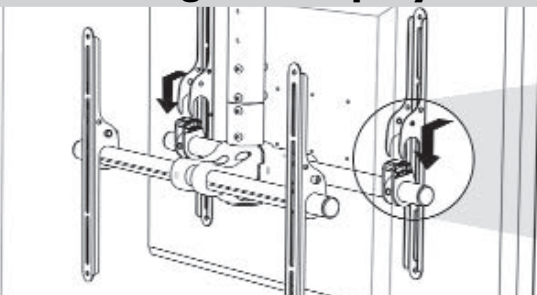


- (1) Attach the three Swivel Inserts to the hanger at the height that has been chosen to mount the display.



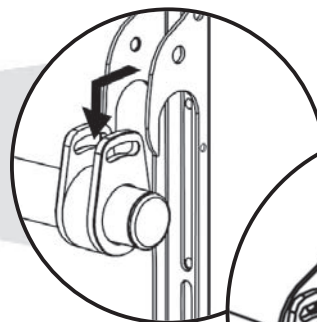
- (2) Attach the two front collars to the Hanger Pole so that they sit on the swivel inserts as shown above. Tighten the M8 x 30mm screws so that the collars are secure on the hanger, however do not over tighten.

D Mounting the Display

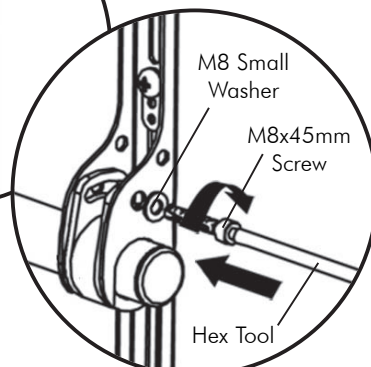


Note: This operation will require two persons

- (1) Lift one of the displays with brackets attached and hook the brackets over the sliders. Hold the display firmly, insert the two M8 x 45mm screws and tighten firmly using the Hex Tool.
- (2) Repeat for 2nd Display



Note: The brackets should rest on the horizontal bar with the slider between the bracket.

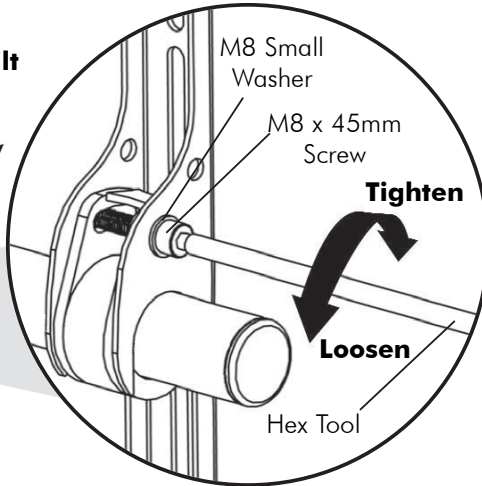
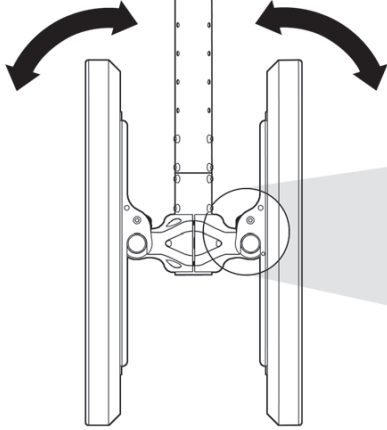


E Adjusting the viewing position of your display

1. Tilt Adjust

-5° to 25° Tilt

-5° to 25° Tilt

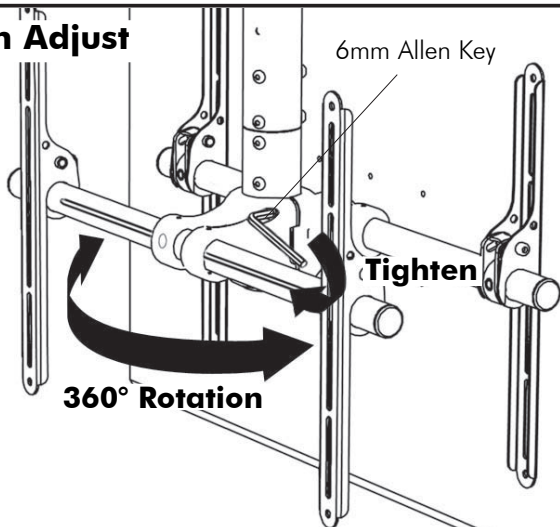


(1) Loosen both M8x45mm screws on one of the display brackets, and adjust the tilt angle of the display to the required position. Tighten the two locking screws with Hex Tool provided.

(2) Repeat for 2nd Display

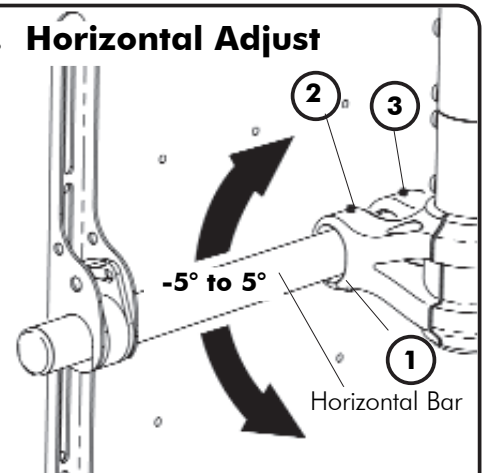
WARNING: Do not attempt to adjust tilt angle without firstly loosening locking screws. Doing so may damage the product.

2. Pan Adjust



(1) To adjust the pan position of the display, loosen all four M8 x 30mm screws with the 6mm Allen Key, then rotate the Hanger Pole Collar to the desired position. Once in position, tighten all four M8 x 30mm screws as tight as possible to lock the display in position.

3. Horizontal Adjust



(1) Adjust grub screw 1 until the display sits level. Once the display is level, tighten grub screw 2 until it firmly tightens onto the horizontal bar. Tighten grub screw 3 until it firmly tightens onto the horizontal bar and prevents it from moving.

(2) Repeat for 2nd Display Bracket

F Refer to the Telehook TH-3070-CTW Installation Instructions

Follow steps K and L in the Telehook TH-3070-CTW Installation Instructions to attach adhesive vinyl and apply additional security if required.



TFT Manufacturers are constantly releasing new monitor models, Atdec does not accept responsibility if the mounting hole pattern does not comply with the international VESA standards. Due to continuing product development, the manufacturer reserves the right to alter specifications without notice.

Published: 12.12.08 ©