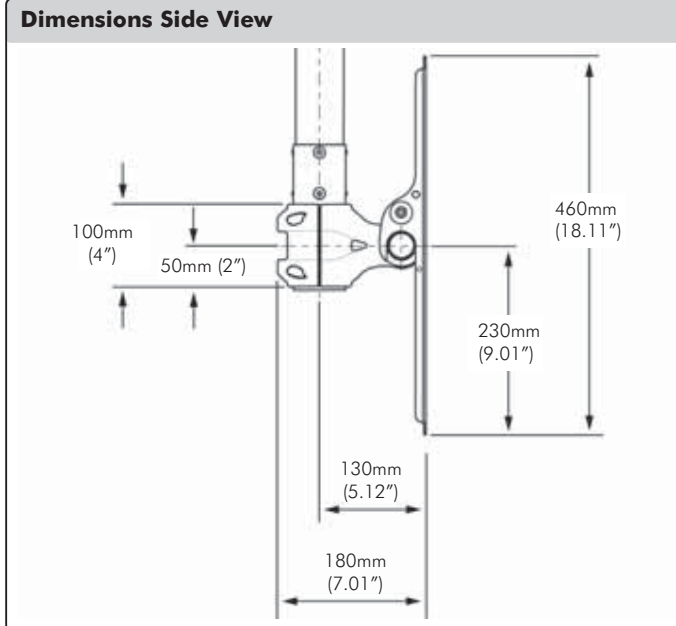


TH-3070- CTW



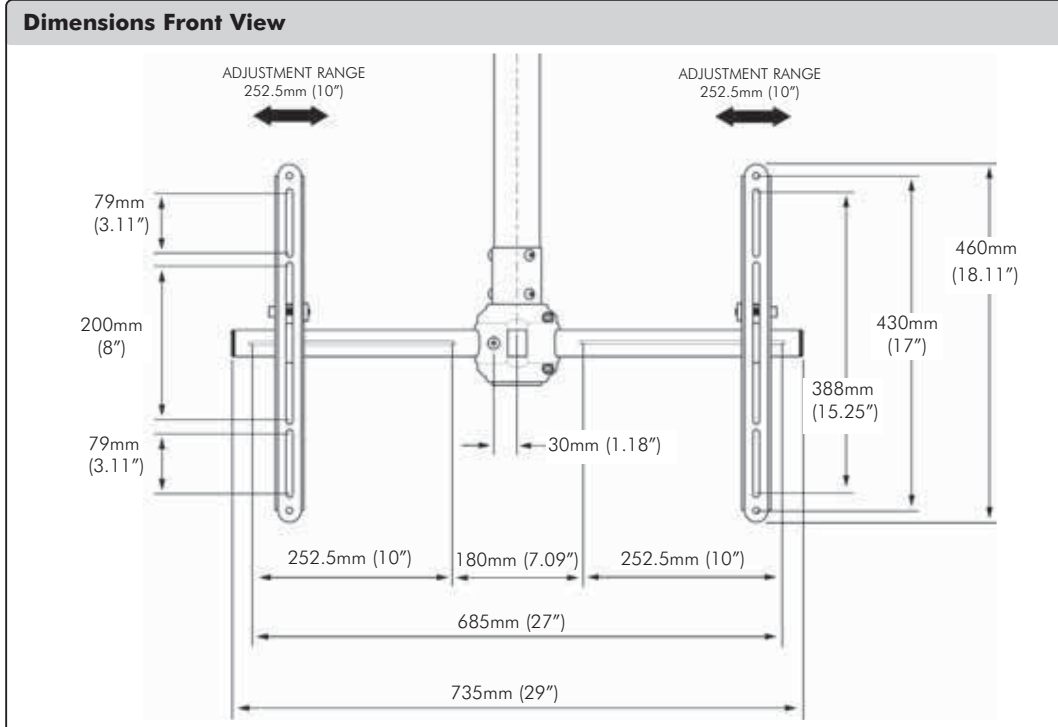
**Telehook Flat Panel Ceiling Mount supports a maximum weight of 91kgs (200lbs)**

**NOTE:**

**The Telehook Flat Panel Ceiling Mount is designed to suit most VESA and non-VESA compliant displays.**

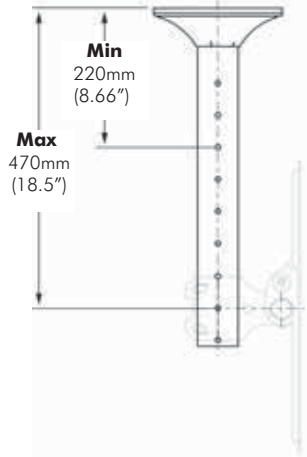
**The installer should satisfy themselves that the ceiling is strong enough to support the Telehook Flat Panel Ceiling Mount unit of 14kgs (31lbs) plus the maximum allowable monitor weight of 91kgs (200lbs). Total of 105kgs (231lbs).**

**Warranty:** 10 years limited



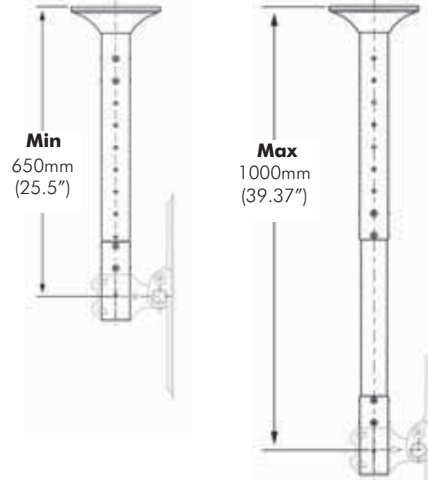
**Assembly Configurations** (all poles are supplied with TH-3070-CTW)

**Option 1: 220mm (8.66") - 470mm (18.5")**



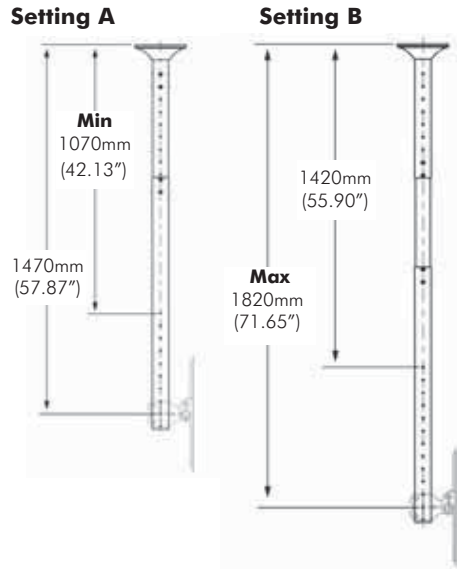
6x50mm (2") incremental positioning options.

**Option 2: 650mm (25.5") - 1000mm (39.37")**



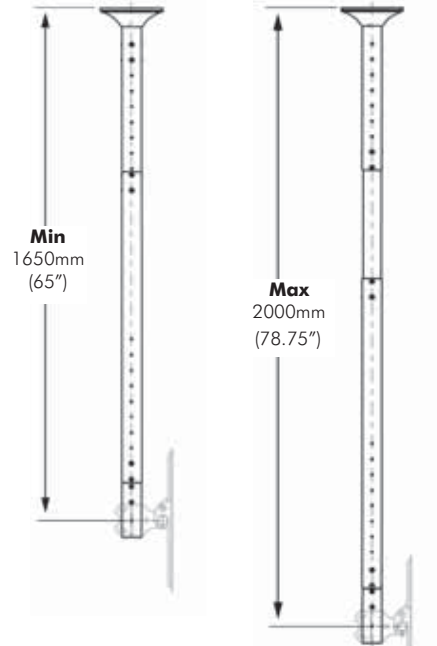
8x50mm (2") incremental positioning options.

**Option 3: 1070mm (42.13") - 1820mm (71.65")**



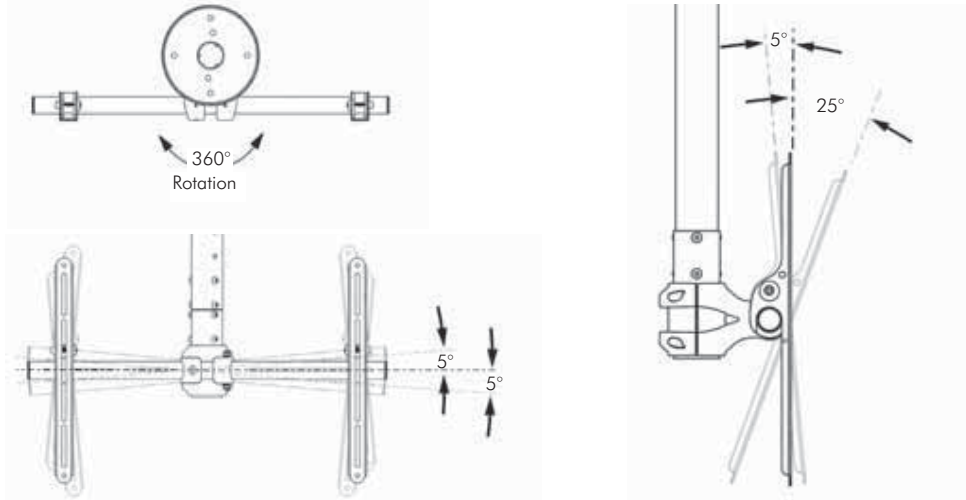
**A:** 9x50mm (2") incremental positioning options.  
**B:** 9x50mm (2") incremental positioning options.

**Option 4: 1650mm (65") - 2000mm (78.75")**

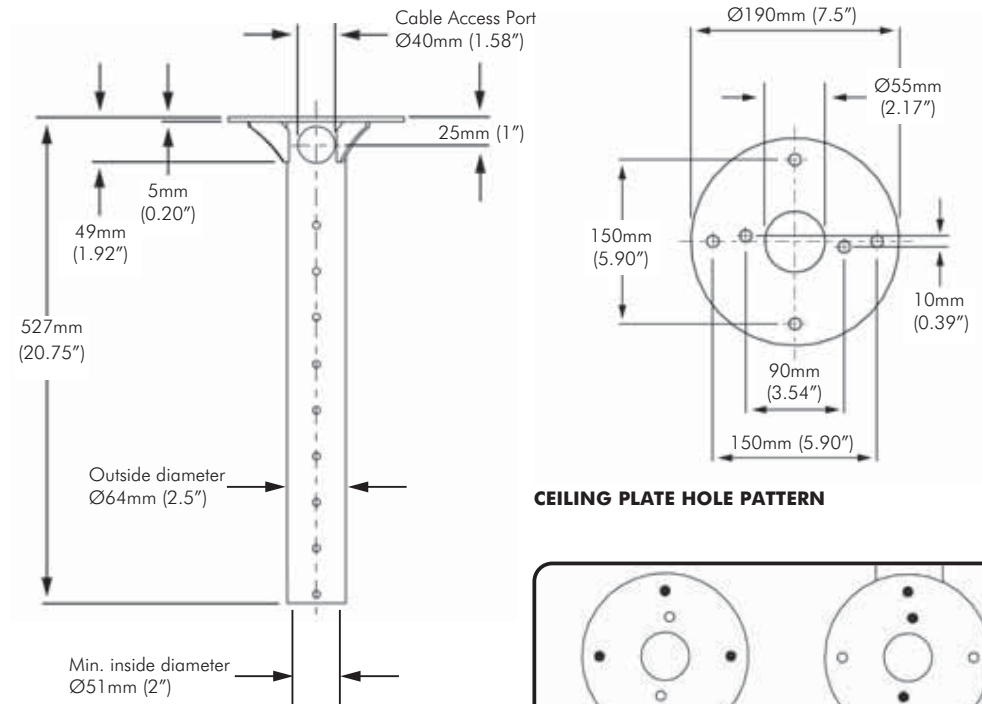


8x50mm (2") incremental positioning options.

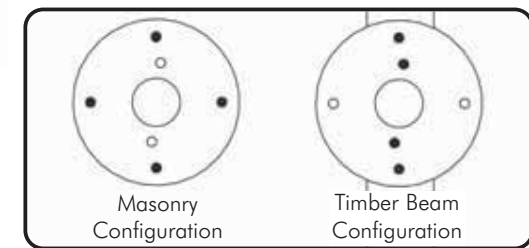
**Range of Movement**



**Ceiling Mount**



**CEILING PLATE HOLE PATTERN**



**MOUNTING HOLE PATTERNS**