

# Technical Specifications



## Flat Screen Wall Mount | Swing Arm

### General Features

**MAXIMUM LOAD:** 65kg (143lbs)

**DISPLAY COMPATIBILITY:** Compatible with most VESA & non-VESA LCD/Plasma Flat screens with mounting hole configurations:

From 180mm to 685mm (7" to 27") Wide;

From 100mm to 430mm (4" to 17") High.

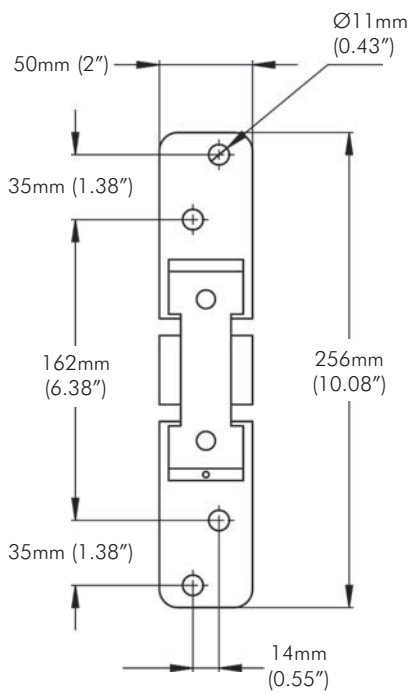
**FASTENERS:** All fasteners included.

**WARRANTY:** Limited 10 years (Parts and workmanship)

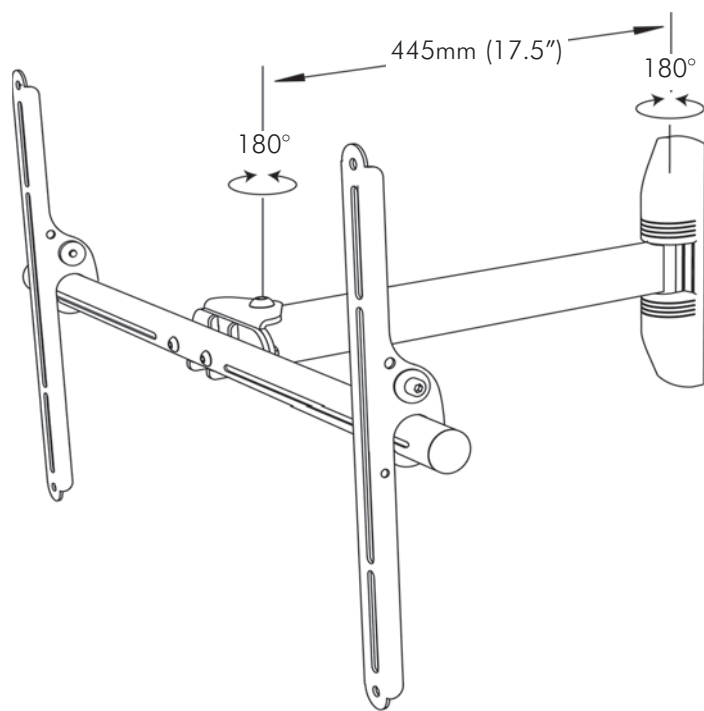
### Dimensions

#### Mounting Bracket

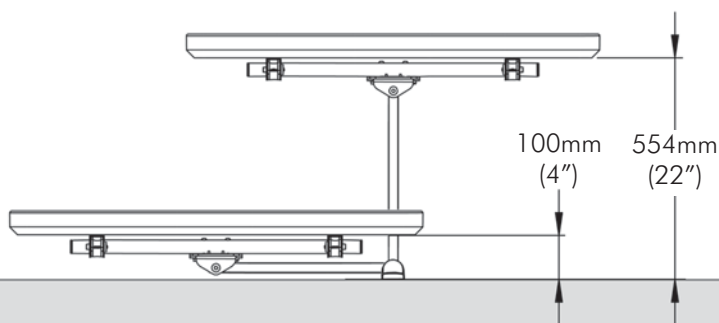
- The Wall Bracket is to be installed vertically.
- The Wall Bracket can be mounted to either:
  - Timber Stud Wall, or
  - Masonry Wall



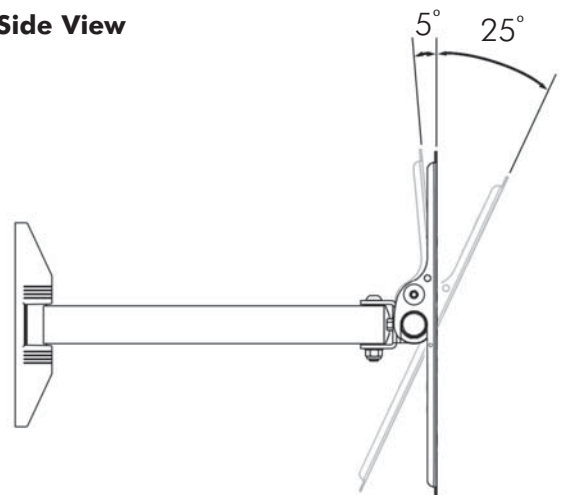
#### Swing Arm Range of Movement



#### Distance from Wall

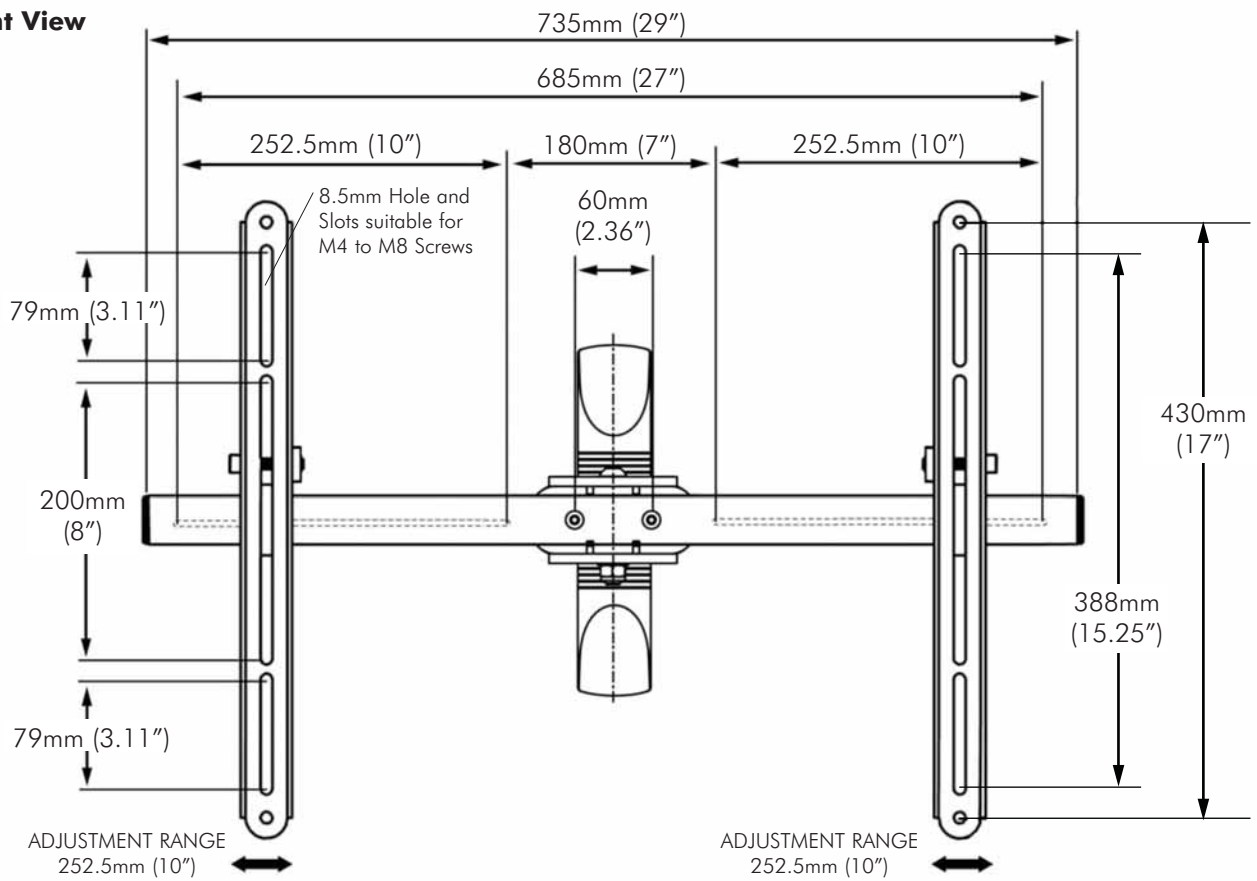


#### Side View



## Dimensions (continued)

### Front View



### Horizontal Range of Movement

