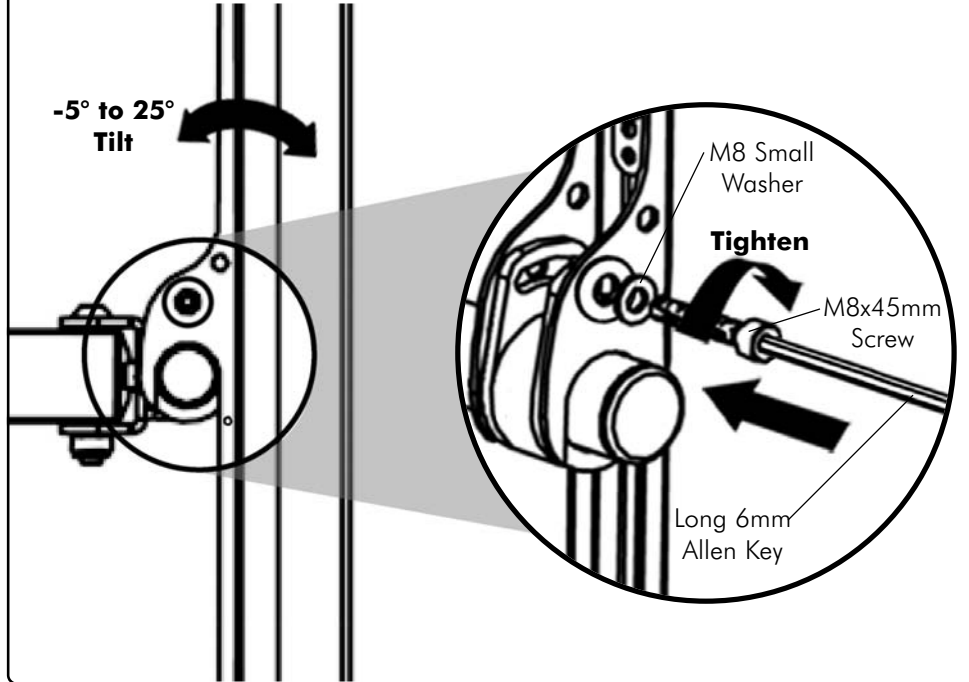


# Installation Instructions

# telehook

## Flat Screen Wall Mount | Swing Arm

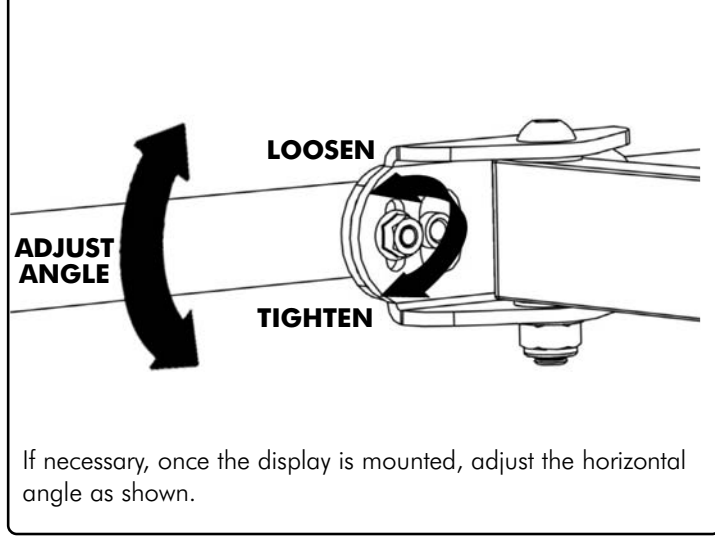
### G Fix the Tilt angle of the Display



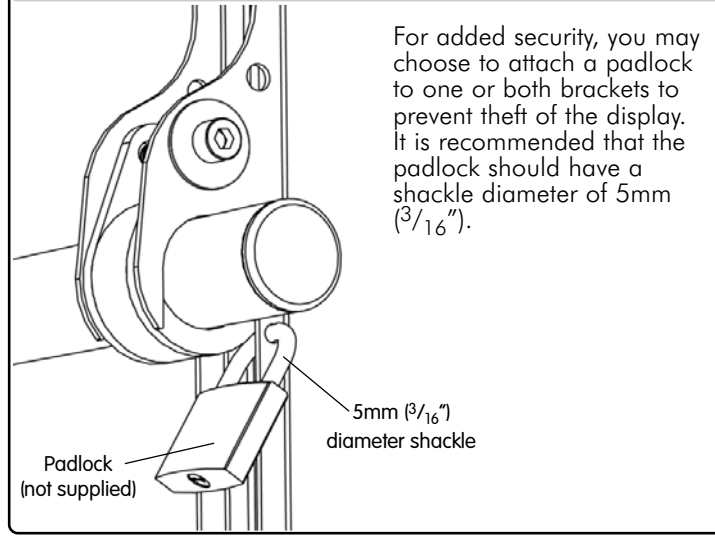
**Step 1**  
Fit two M8x45mm Locking screws into brackets behind Display. Adjust the Tilt angle of the Display. Tighten two locking screws with the Long 6mm Allen Key provided.

**WARNING: Do not attempt to adjust tilt angle without firstly loosening locking screws. Doing so may damage product.**

### H Horizontal Adjustment Feature

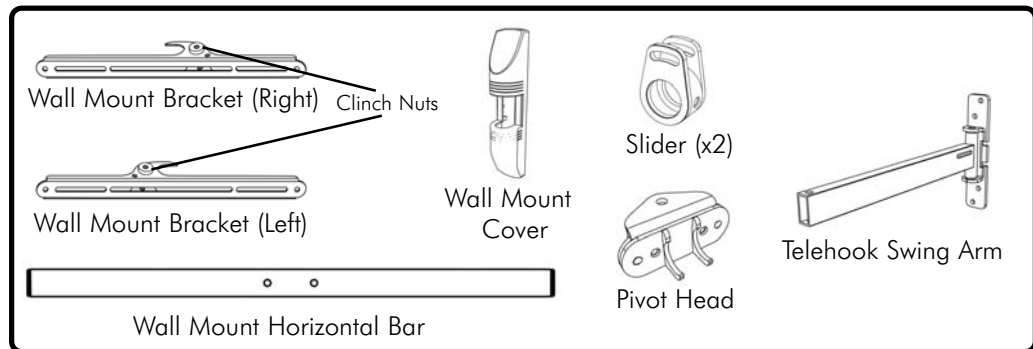


### I Security Option



### Component Checklist

**IMPORTANT:**  
Ensure you have received all parts against the component checklist prior to installing.



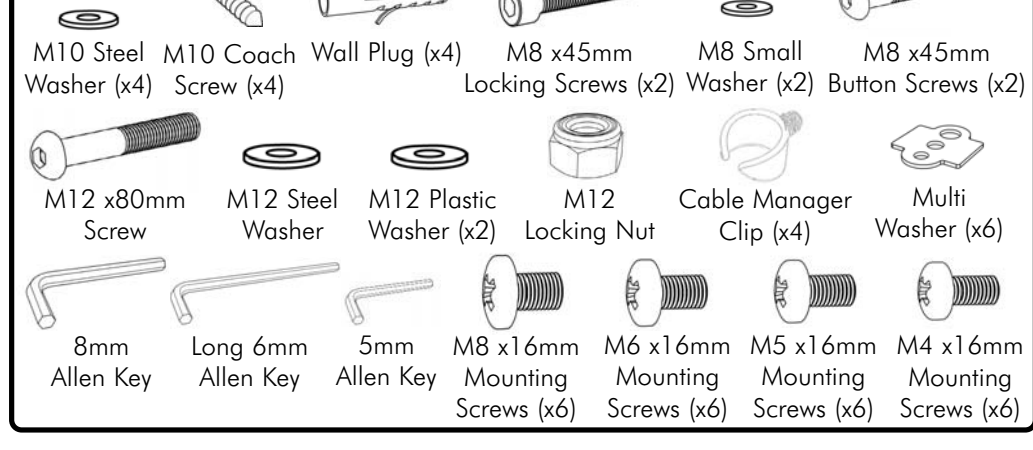
**Telehook Flat Screen Wall Mount Swing Arm supports a maximum weight of 65kgs (143lbs)**

**NOTE:**  
The manufacturer does not accept responsibility for incorrect installation.

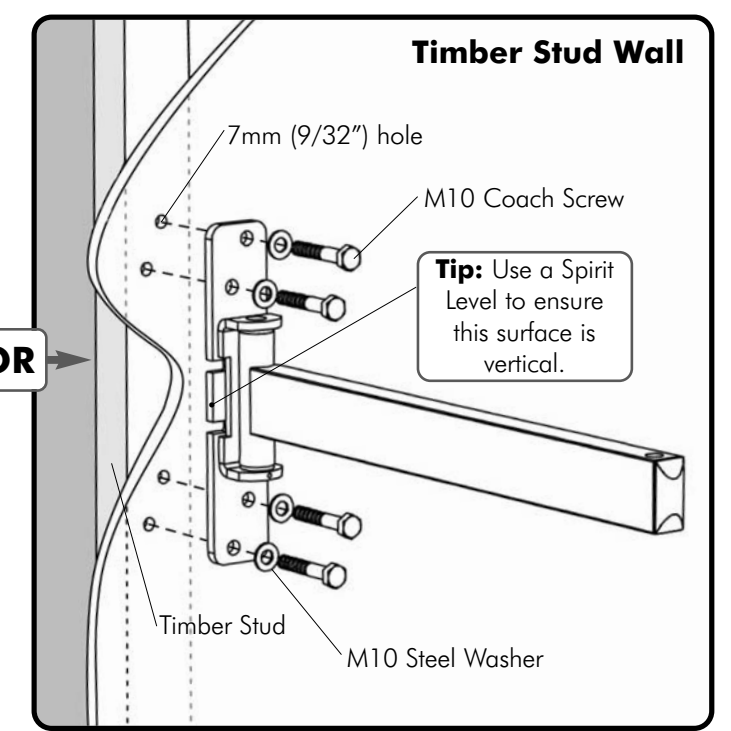
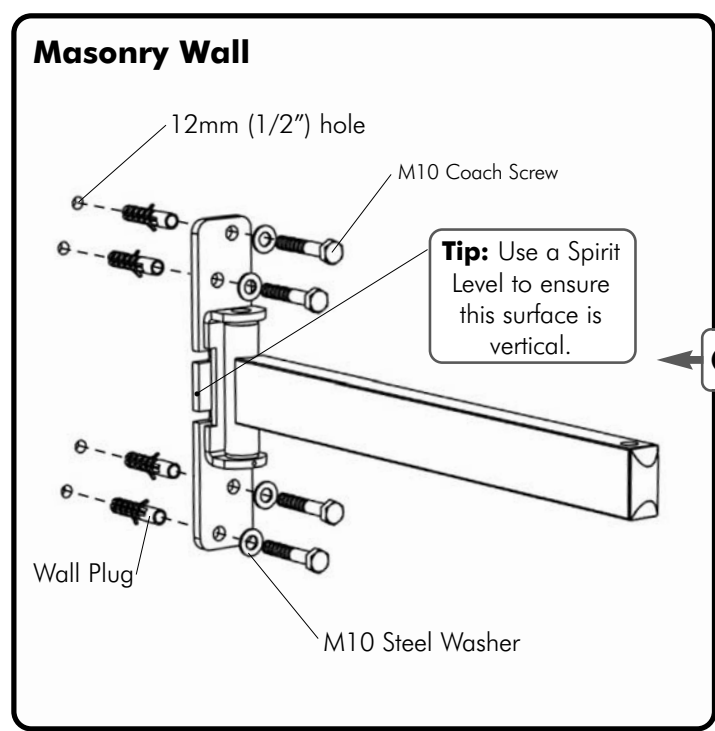
**TOOLS REQUIRED:**

- Power Drill
- 12mm (1/2") Drill Bit
- 7mm (9/32") Drill Bit
- Adjustable wrench

### Bit Box



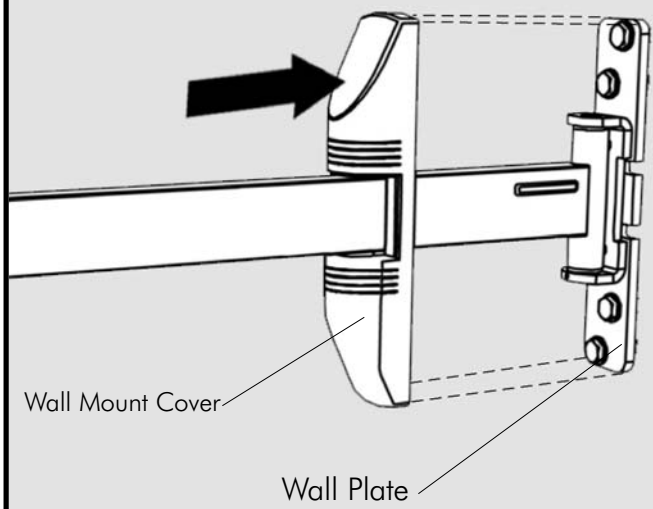
### A Attach Telehook Swing Arm Unit to the Wall



## B Attach Pivot Head to Swing Arm

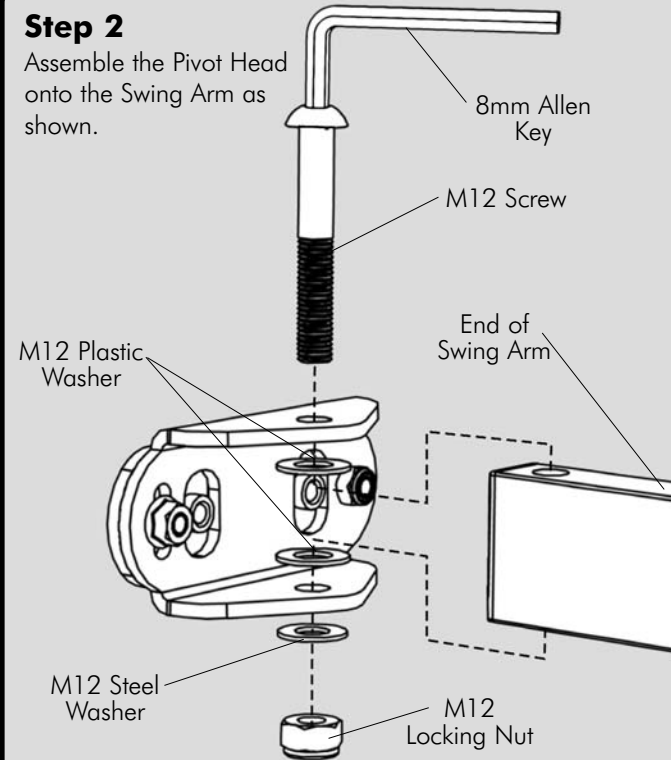
### Step 1

Slide the Wall Mount Cover along the Swing Arm until it snap fits onto the wall plate.



### Step 2

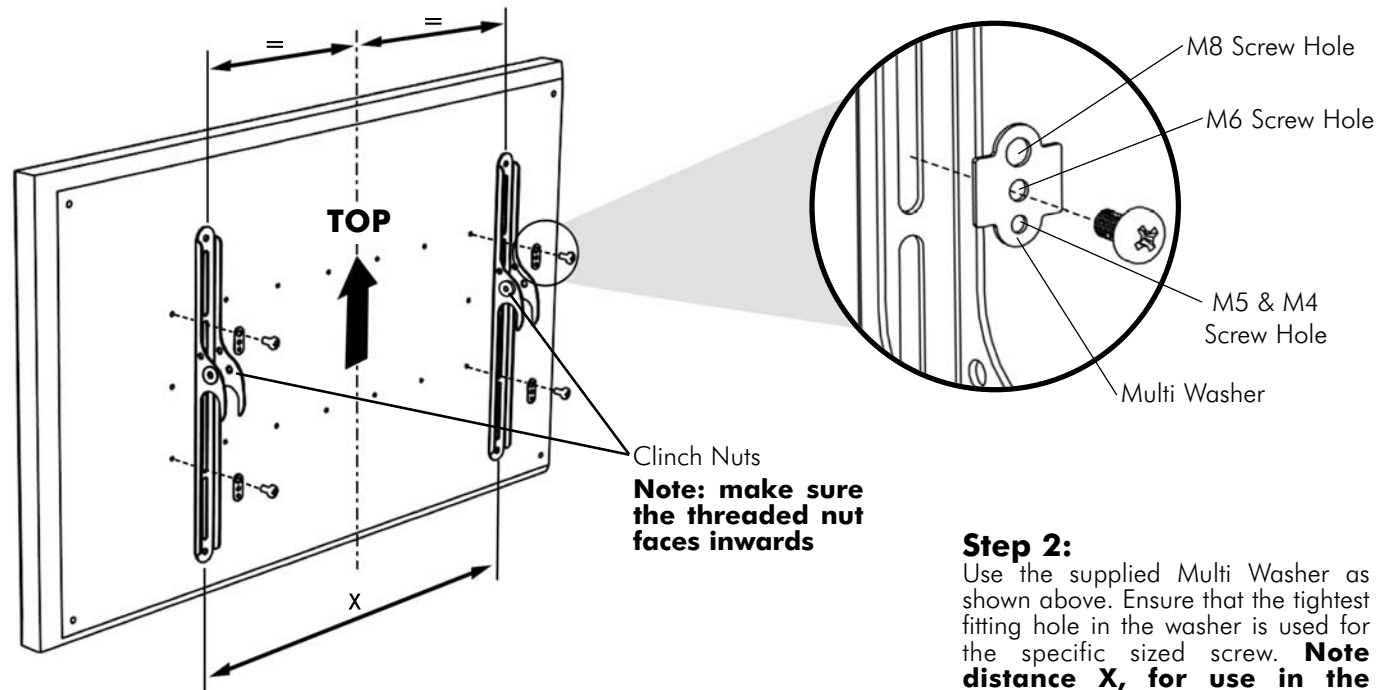
Assemble the Pivot Head onto the Swing Arm as shown.



## C Attaching the Brackets to the Display

### Step 1

Attach left and right wall mount brackets to the rear of your display. Select M4, M5, M6 or M8 mounting screws to suit your display. Ensure a minimum of two mounting screws are used per wall mount bracket. Clinch nuts must be positioned as shown (internally).



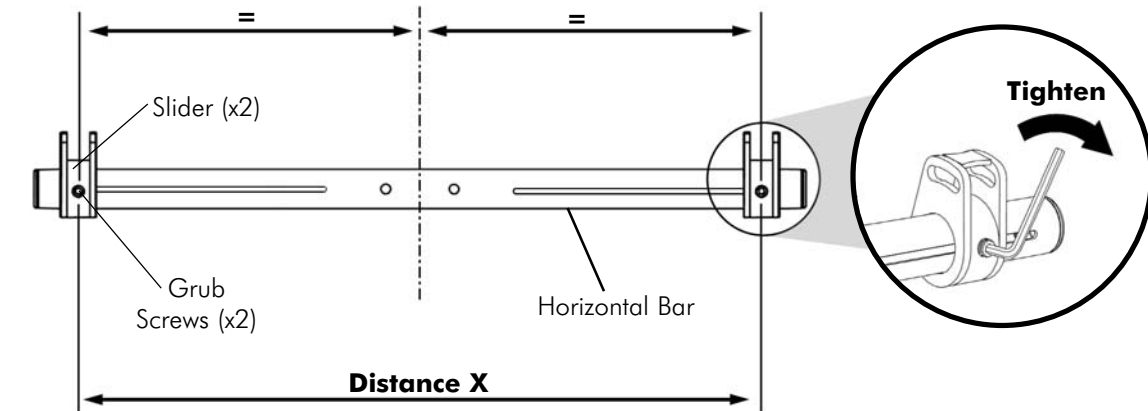
**Note: make sure the threaded nut faces inwards**

**Step 2:** Use the supplied Multi Washer as shown above. Ensure that the tightest fitting hole in the washer is used for the specific sized screw. **Note distance X, for use in the following steps.**

## D Positioning Sliders

### Step 1

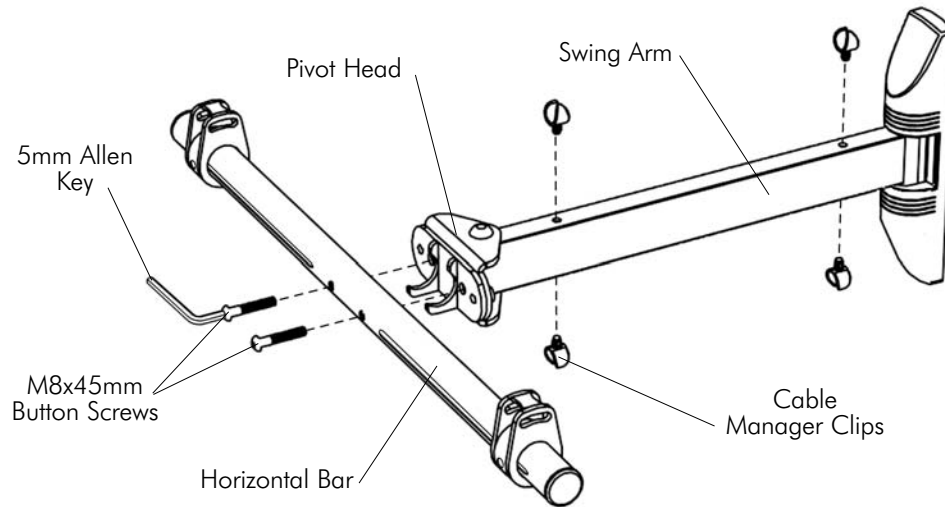
Accurately position sliders at distance X as recorded in Section A. Ensure the Sliders are equally spaced along the centre Horizontal Bar.



### Step 2

Secure slider in position and tighten firmly with supplied Allen Key. Ensure that it locates into the slot on the horizontal bar. The grub screw should tighten flush to surface.

## E Attach the Horizontal Bar to Pivot Head



### Step 1

Attach the Horizontal Bar and tighten screws as shown.

### Step 2

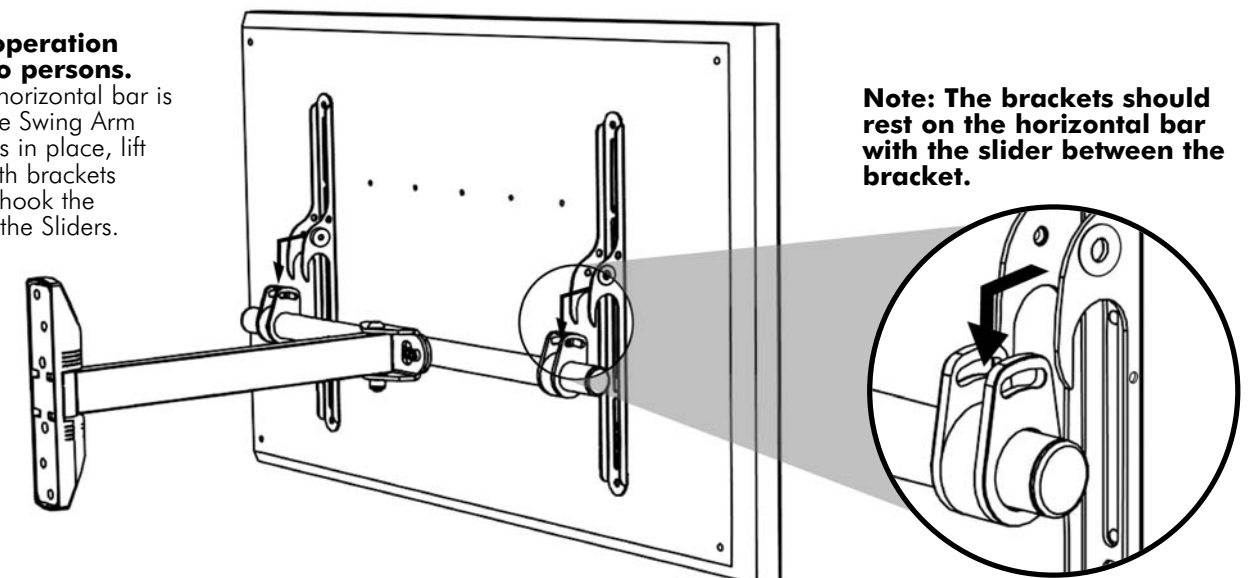
Attach the four Cable Manager Clips to the Swing Arm by inserting the clips into the holes. Ensure that the clips are held firmly in place.

## F Mounting the Display

### Step 1

**Note: This operation requires two persons.**

Now that the horizontal bar is attached to the Swing Arm with the Sliders in place, lift the Display with brackets attached and hook the Brackets over the Sliders.



**Note: The brackets should rest on the horizontal bar with the slider between the bracket.**