

Installation Instructions

telehook

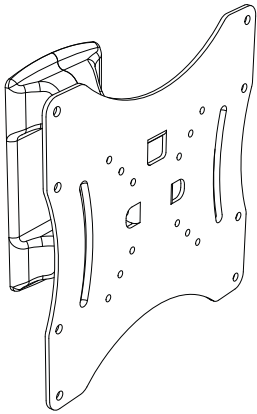
Flat Screen Wall Mount | Tilt

IMPORTANT INFORMATION

! IMPORTANT - Install Telehook Wall Mount as per Installation Instructions.

- ! Telehook Wall Mount supports Displays weighing up to 30kg (66lbs), with VESA hole configurations: 50x50mm, 75x75mm, 100x100mm, 200x100mm, 200x200mm.
- ! The Manufacturer accepts no responsibility for incorrect installation.

Component Checklist

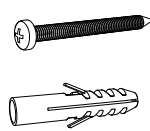


TH-2250-VTP
(fully assembled)

TOOLS REQUIRED:

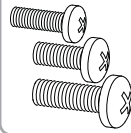
- Power Drill
- Phillips Head Screw Driver
- 4mm (3/16") Drill Bit
- 8mm (5/16") Masonry Drill Bit

Hardware



- [A] Wall Mount Screw (x2)
- [B] Nylon Anchor (x2)
- [C] M4 Washer (x4)
- [D] M5 Washer (x4)
- [E] M6 Washer (x4)

Mounting Fasteners

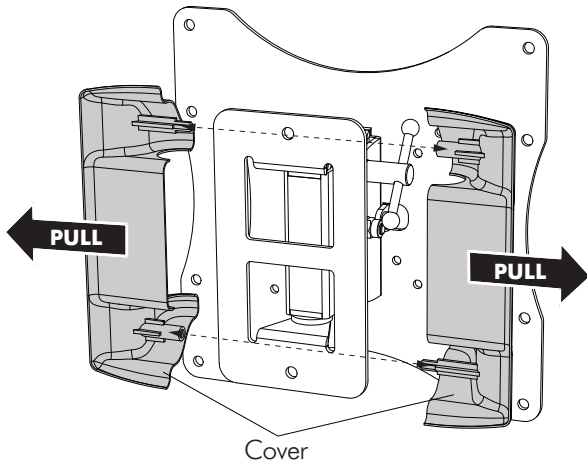


- [F] M4x8mm / [G] M4x12mm (x4 each)
- [H] M5x8mm / [I] M5x12mm (x4 each)
- [J] M6x8mm / [K] M6x12mm (x4 each)

Step 1. Component Checklist

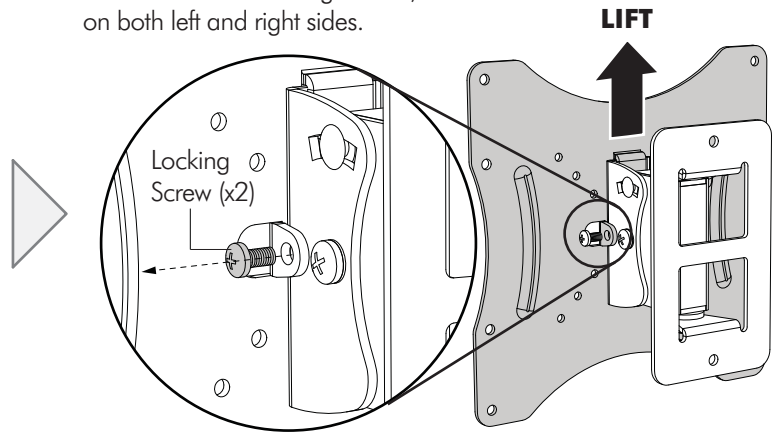
Check you have received all parts against the Component Checklist above.

Step 2. Remove the Wall Bracket Cover



Step 3. Remove the Mounting Plate

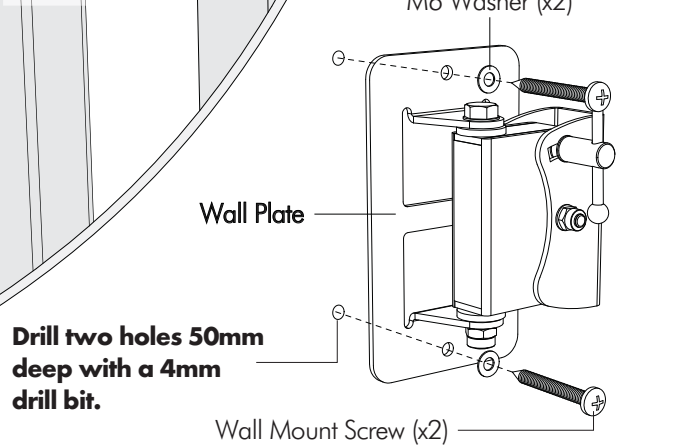
Remove the two Locking Screws, on both left and right sides.



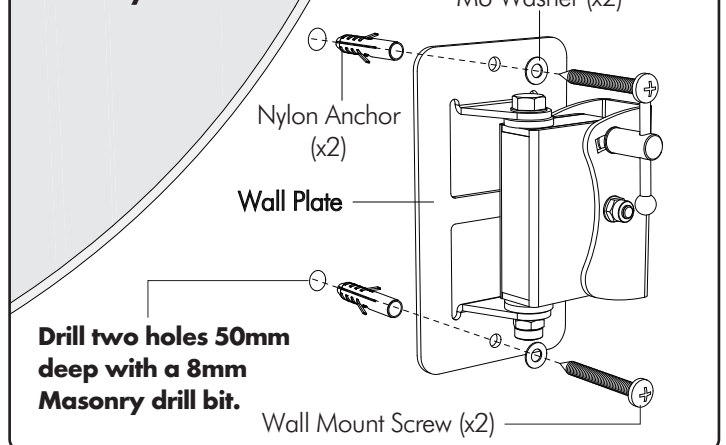
Step 4. Fix the Wall Bracket to the Wall

Using the Wall Plate as a drilling template, choose from one of the following Mounting options, **Timber Stud OR Masonry Wall.**

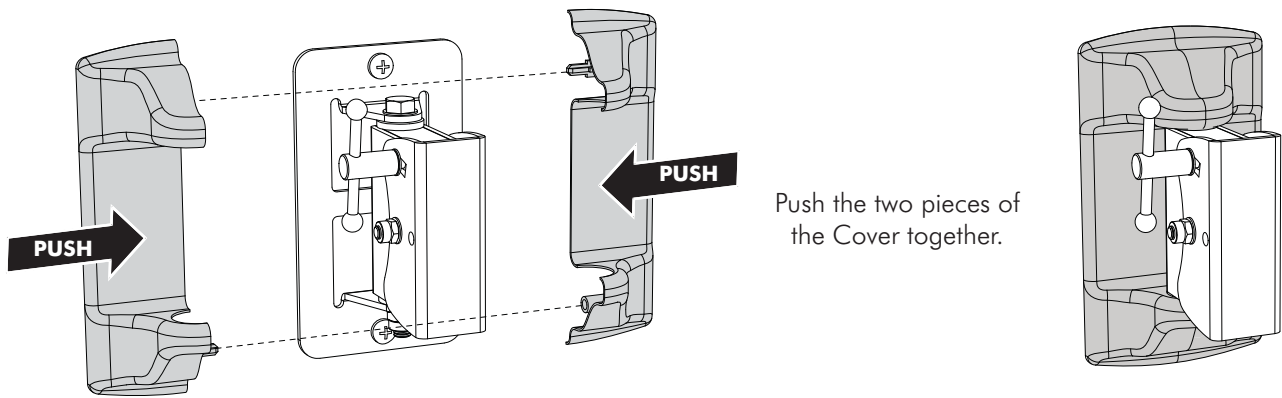
Timber Stud



Masonry Wall

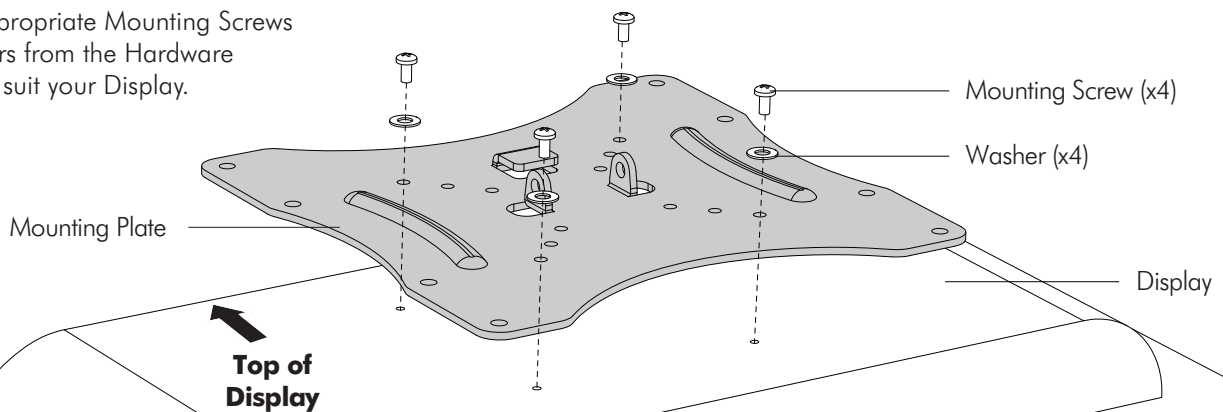


Step 5. Reinstall Wall Bracket Cover



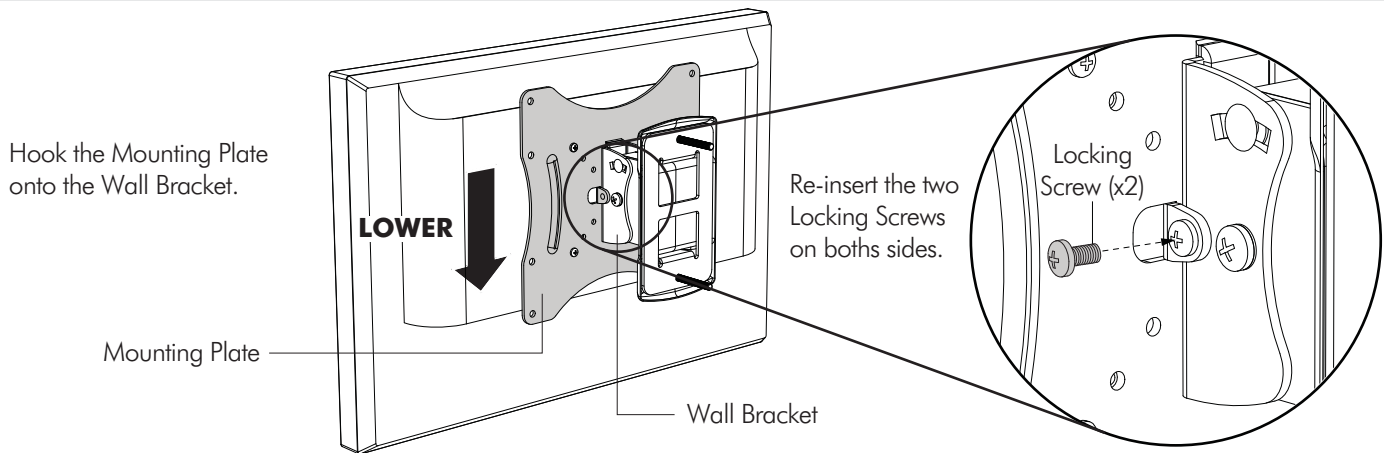
Step 6. Fasten the Mounting Plate to your Display

Choose appropriate Mounting Screws and Washers from the Hardware supplied to suit your Display.

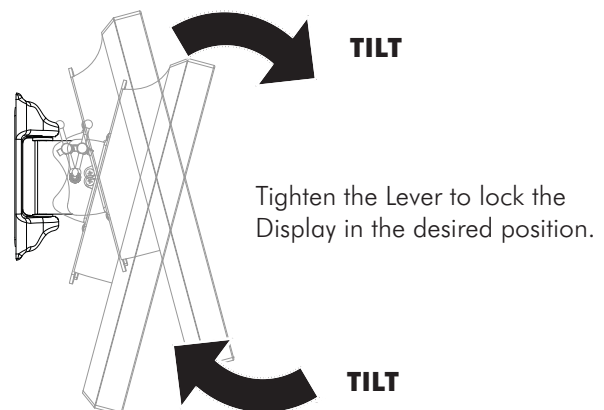
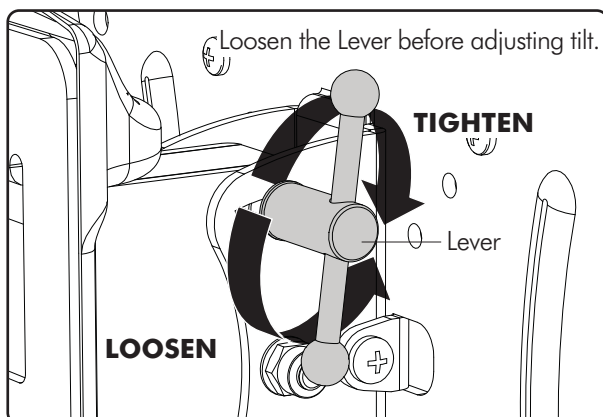


Step 7. Attach the Display to the Wall

(2 required)



Step 8. Tilt Adjustment



Installation Complete

