

**General Features**

**MAXIMUM LOAD:** 25 kg (55 lbs)

**DISPLAY COMPATIBILITY:** Compatible with VESA LCD Flat screens with mounting hole configurations: 75 x 75mm, 100 x 100mm, 200 x 100mm, 200 x 200mm

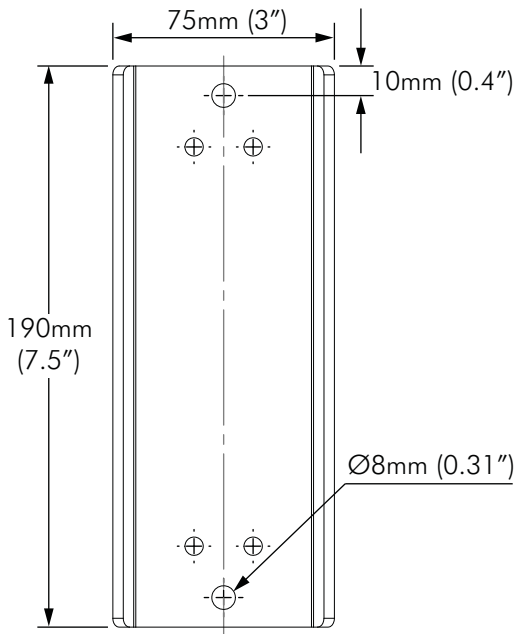
**FASTENERS:** All fasteners included.

**WARRANTY:** Limited 10 years (parts and workmanship).

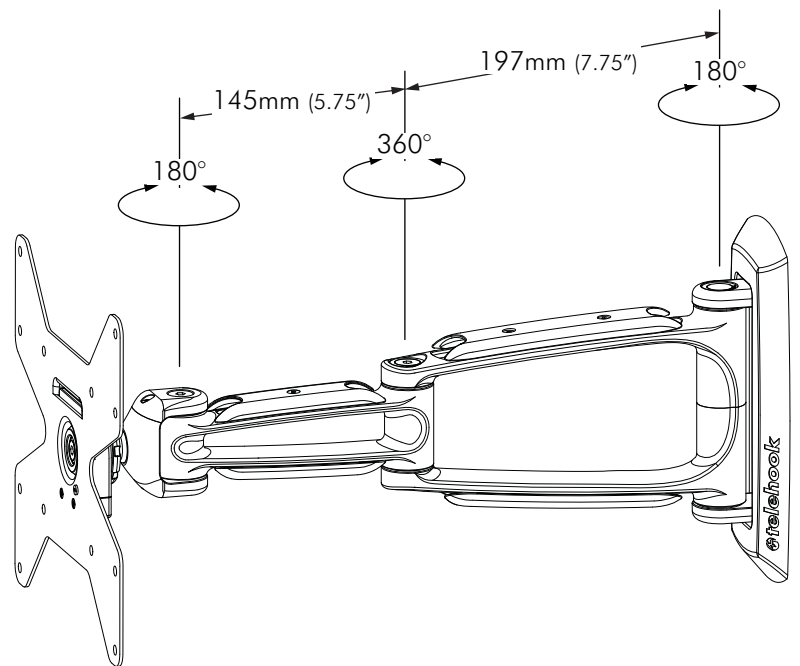
**Dimensions**

**Mounting Plate**

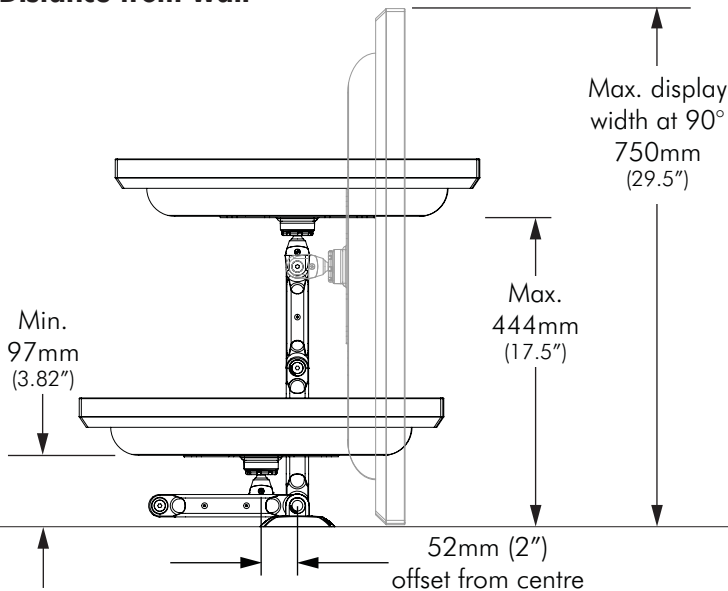
- The Wall Bracket is to be installed vertically.
- The Wall Bracket can be mounted to either: Timber Stud Wall, or Masonry Wall



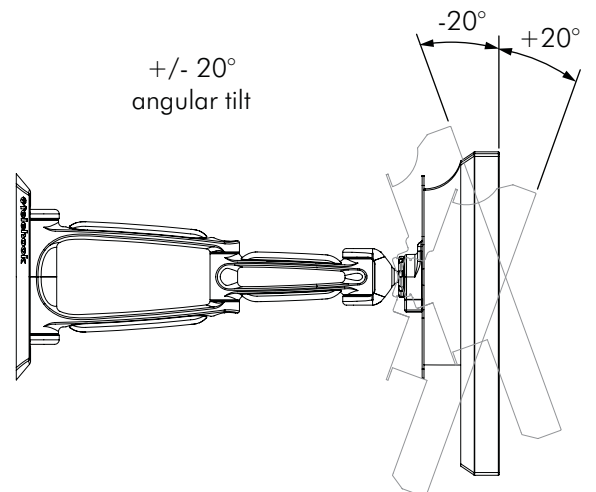
**Articulated Arm Range of Movement**



**Distance from Wall**

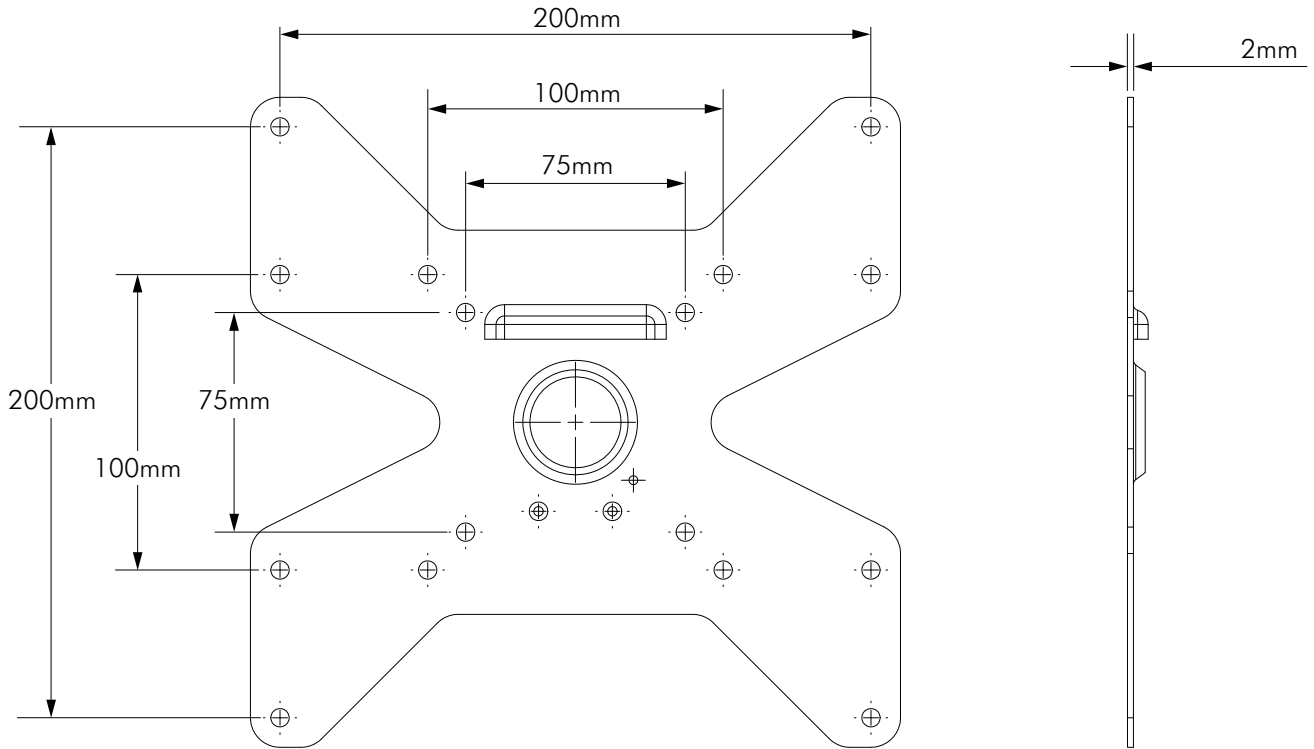


**Side View**



## Dimensions (continued)

### Front View



### Horizontal Range of Movement

