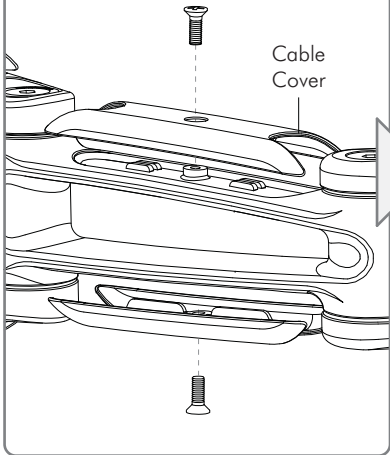
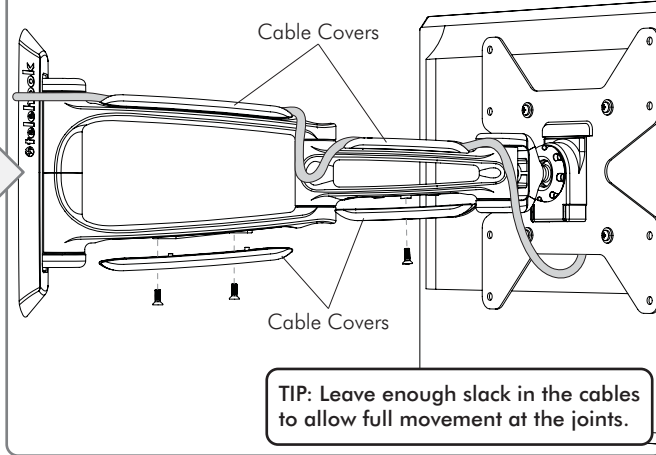


Step 6. Cable Management

Remove the Cable Covers as required using a Phillips Head Screw Driver.

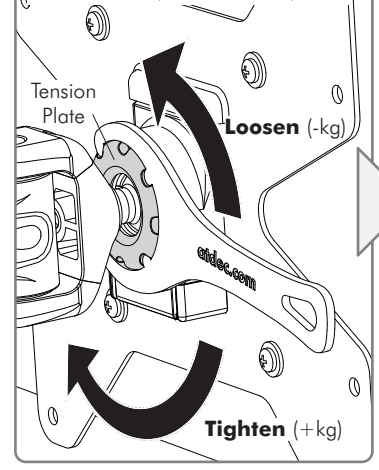


Connect cables to your Display, and route along the arms. Re-attach the Cable Covers to hold the Cables in place.

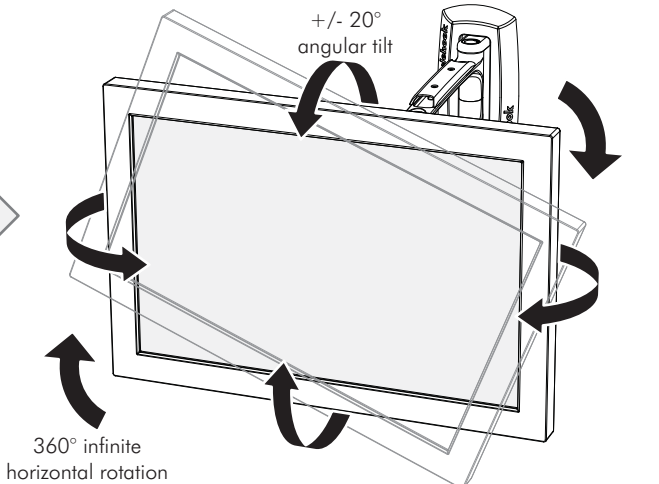


Step 7. Final Adjustment

Use the Tool supplied to loosen the Tension Plate (do not remove).



Rotate the Display as desired, locking the Display into position by tightening the Tension Plate.



Installation Complete

Your Telehook Wall Mount Articulated Arm installation is complete and ready for use.



As TFT Manufacturers are constantly releasing new monitor models, Atdec does not accept responsibility if the VESA mounting does not comply with the international standards. Due to continuing product development, the manufacturer reserves the right to alter specifications without notice. Published: 03.04.09 ©

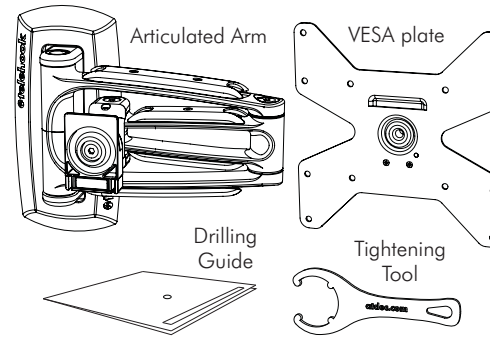
TH-1040-VFM

Installation Instructions

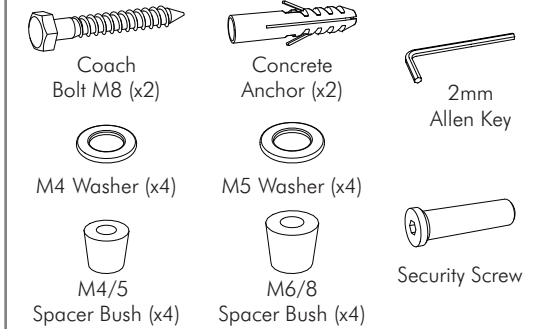
telehook

Flat Screen Wall Mount | Full Motion

Component Checklist



Hardware



TOOLS REQUIRED:

- Power Drill
- Phillips Head Screwdriver
- Spirit Level
- 7mm (9/32") Drill Bit
- 11mm (7/16") Masonry Drill Bit
- 13mm (1/2") Socket Wrench or Shifter

IMPORTANT INFORMATION

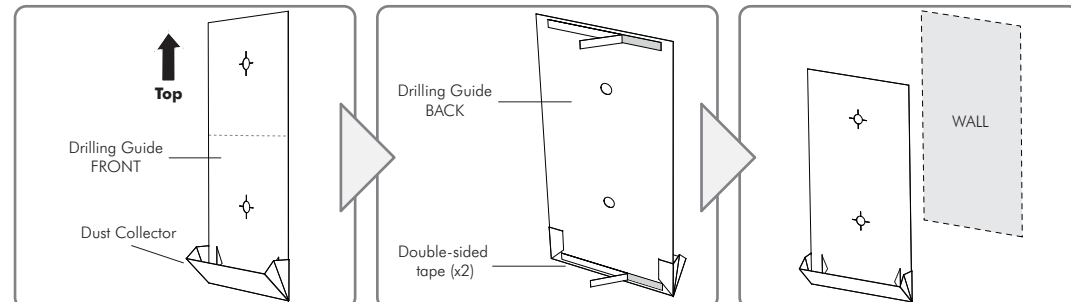
- ! **IMPORTANT - Install Telehook Wall Mount as per Installation Instructions.**
- ! Telehook Wall Mount supports Displays weighing up to 25kg (55lbs), with VESA hole configurations: 100x100mm (4"x4"), 200x100mm (8"x4"), 200x200mm (8"x8")
- ! The Manufacturer accepts no responsibility for incorrect installation.

Step 1. Check Components

Check you have received all parts against the Component Checklist and Hardware above.

Step 2. Locate Drilling Position

Choose the location of your Telehook Wall Mount, ensuring that the wall is structurally sound (for a timber stud wall, locate the stud using a stud detection device). Use the Drilling Guide to mark out the hole centres.

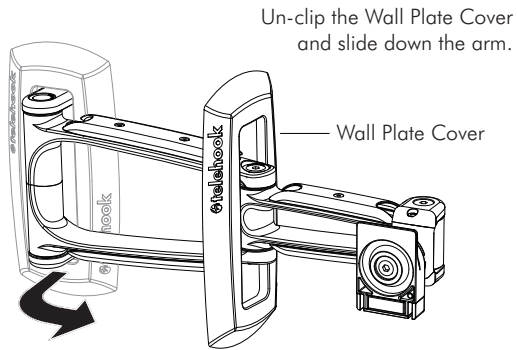
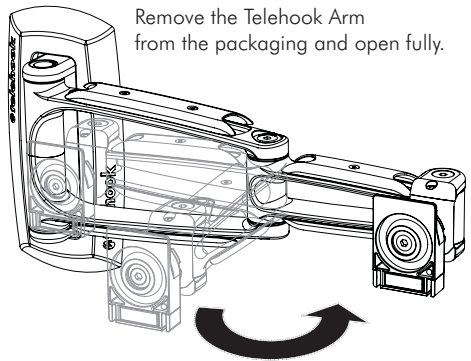


Un-fold the Drilling Guide and open the Dust Collector.

Peel away the backing from the double-sided adhesive tape.

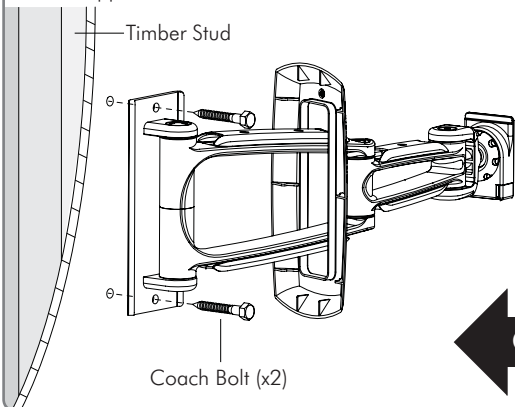
Position the Drilling Guide vertically onto the wall using a Spirit Level.

Step 3. Attaching the Articulated Arm to the Wall



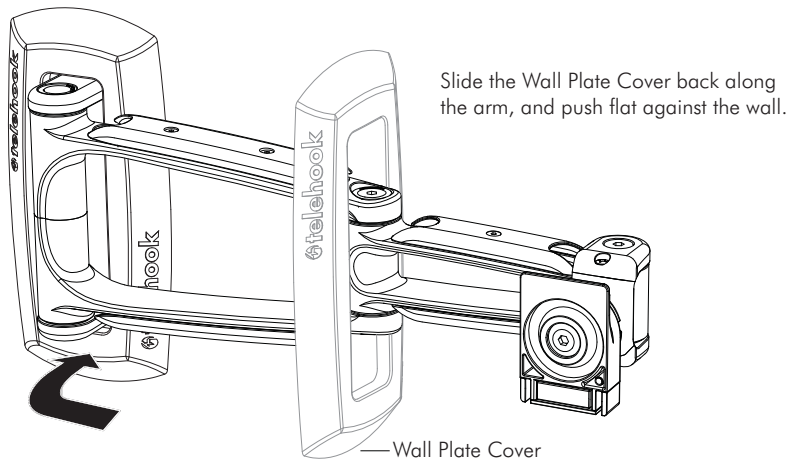
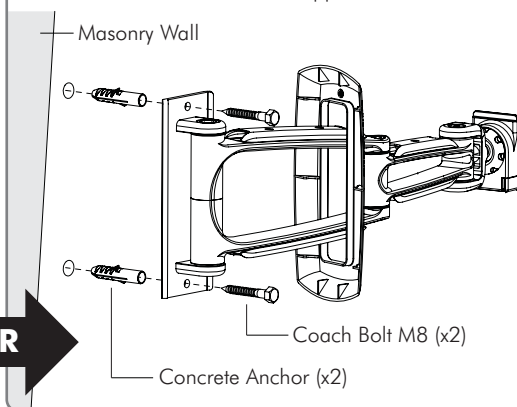
Timber Stud Wall

- Using the Drilling Guide, drill two 7mm (9/32") diameter holes, 50mm (2") deep.
- Secure the Mounting Plate to the wall using the Coach Bolts supplied.



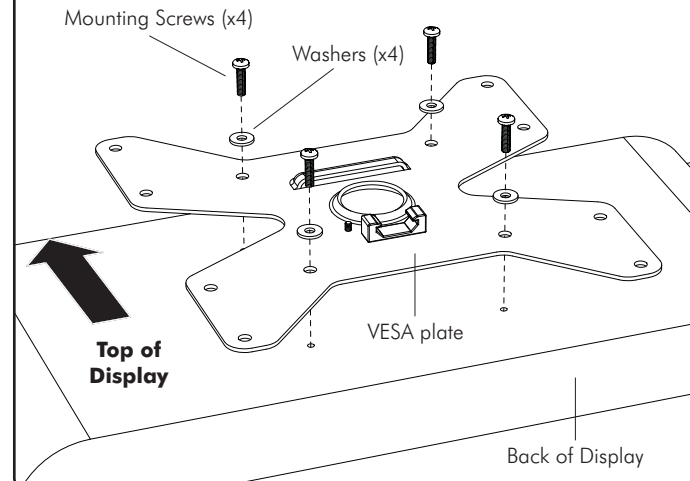
Masonry Wall

- Using the Drilling Guide, drill two 11mm (7/16") diameter holes, 50mm (2") deep.
- Secure the Mounting Plate to the wall using the Coach Bolts and Concrete Anchors supplied.



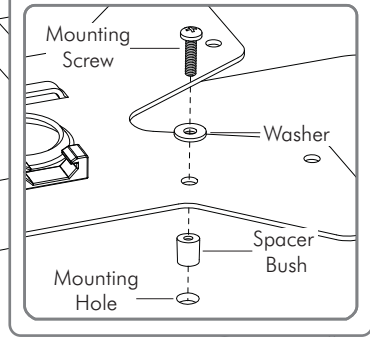
Step 4. Attaching the VESA Plate to your Display

Choose appropriate Mounting Screws and Washers from the Hardware supplied to suit your Display.



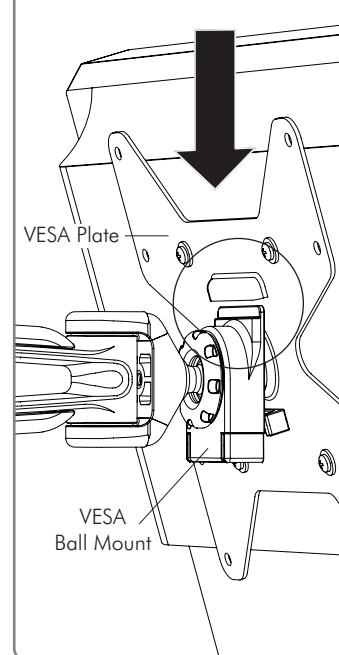
Recessed Mounting Holes or Display with a Curved Rear Panel

If the Mounting Holes are recessed into the back of the Display, or the Display has a curved rear panel, use the appropriate Spacer Bushes supplied to pack the Mounting Holes. **NOTE: Ensure the VESA plate is securely fixed to the display.**

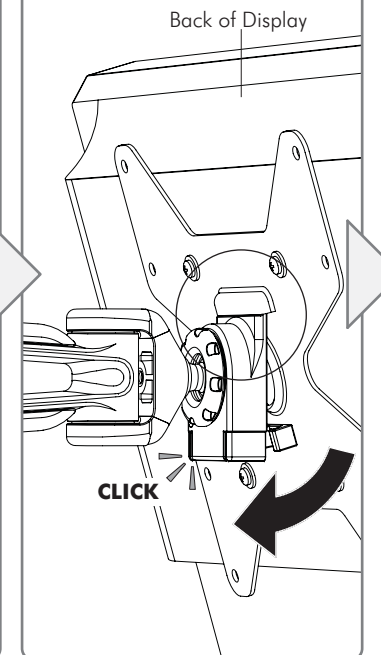


Step 5. Attaching your Display to the Articulated Arm (Two people required for this operation)

Hook the top of the VESA Plate onto the VESA Ball Mount.



Push the bottom of the Display gently into the VESA Ball Mount until you hear a 'CLICK'.



Insert the Security Screw supplied, and tighten using the 2mm Allen Key.

