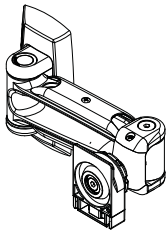
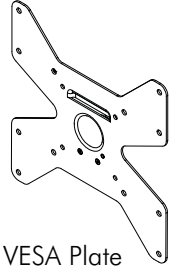


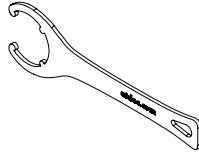
Component Checklist



Arm Assembly



VESA Plate



Tension Tool

Hardware



Coach Bolt (x4)



Concrete Anchor (x4)



M4/5 Spacer (x4)



Security Screw (x1)



2mm Allen Key



M4/M5 Washers (x4 each)



M6/8 Spacer (x4)

Display Mounting Screws



M4x16/25mm (x4 each)



M5x16/25mm (x4 each)



M6x16/30mm (x4 each)

Tools Required:

- Power Drill
- 6mm (0.25") Drill Bit
- 10mm (0.4") Masonry Drill Bit
- Phillips Head Screw Driver
- 13mm (0.5") Socket Wrench or Shifter

IMPORTANT INFORMATION:

! IMPORTANT - Install Telehook 1032 Flat Screen Wall Mount as per Installation Instructions.

! This product supports a maximum load of 25kg (55lbs).

! This product supports VESA mounting hole configurations: VESA plate, 75x75mm, 100x100mm, 200x100mm, and 200x200mm.

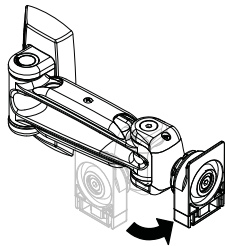
! The manufacturer accepts no responsibility for incorrect installation.

Step 1. Check Components

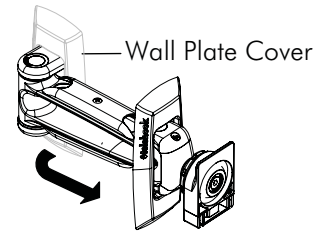
Check you have received all parts against the component checklist and Hardware above.

Step 2. Attaching Arm to the Wall

Remove the Telehook Arm from the packaging and open fully.

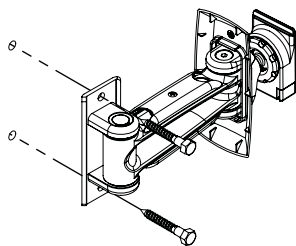


Un-clip the Wall Plate Cover and slide down the arm.



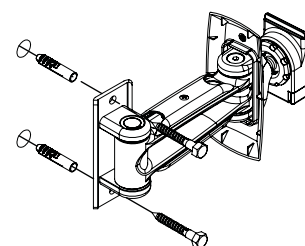
Timber Stud Wall

- Drill two 6mm (0.25") diameter holes, 50mm (2") deep.
- Secure the Mounting Plate to the wall using the Coach Bolts supplied.



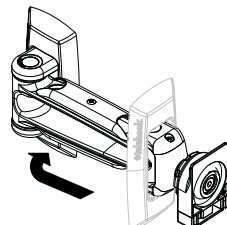
Masonry Wall

- Drill two 10mm (0.4") diameter holes, 50mm (2") deep.
- Secure the Mounting Plate to the wall using the Coach Bolts and Concrete Anchors supplied.

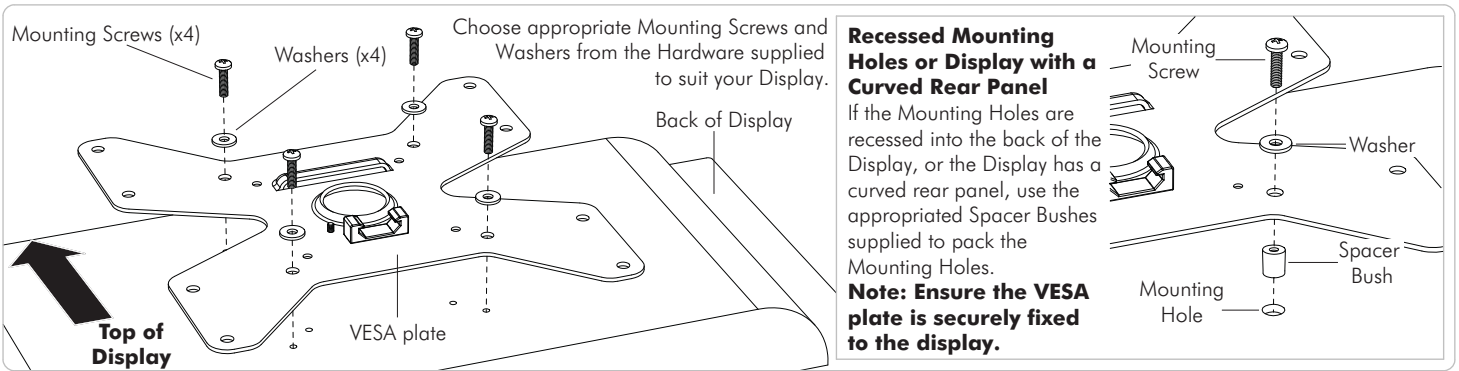


OR

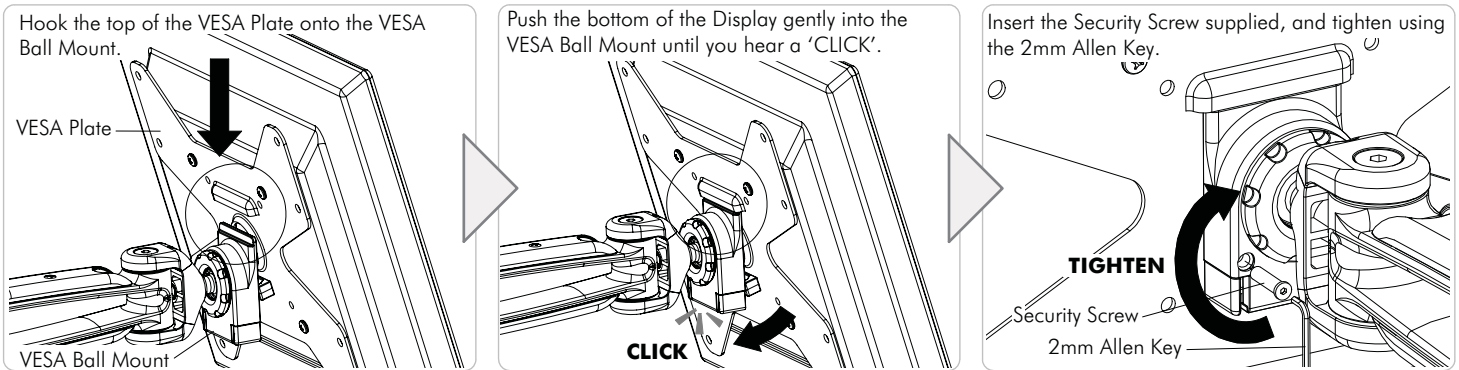
Slide the Wall Plate Cover back along the arm, and push flat against the wall.



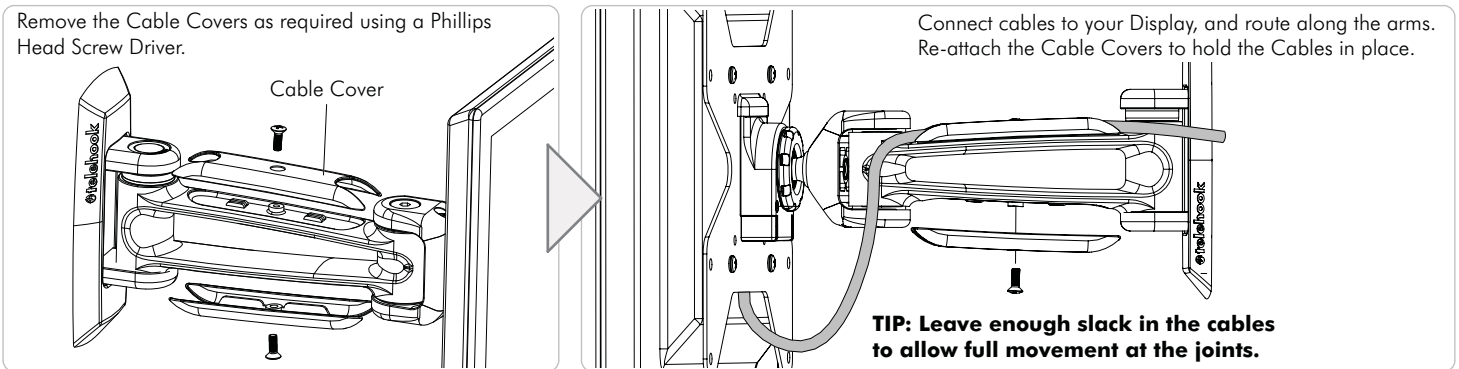
Step 3. Attaching the VESA Plate to your Display



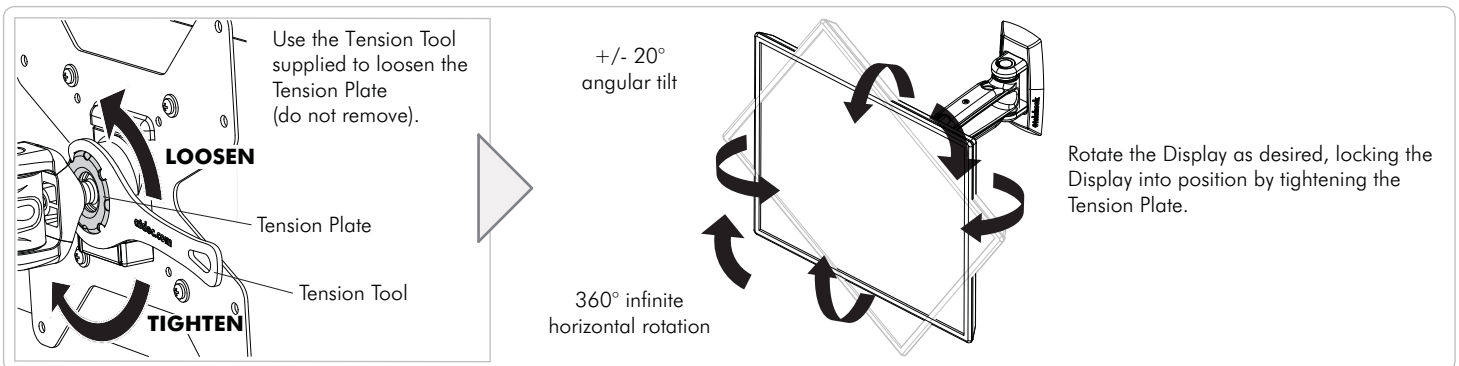
Step 4. Attaching your Display to the Arm



Step 5. Cable Management



Step 6. Final Adjustment



Installation Complete

