

### General Features

**MAXIMUM LOAD:** 20 kg(44 lbs)

**DISPLAY COMPATIBILITY:** Compatible with VESA LCD flats creens with mounting hole configurations: 75x75mm, 100x100mm, \*200x100mm, and \*200x200mm (\*using the extension tabs supplied)

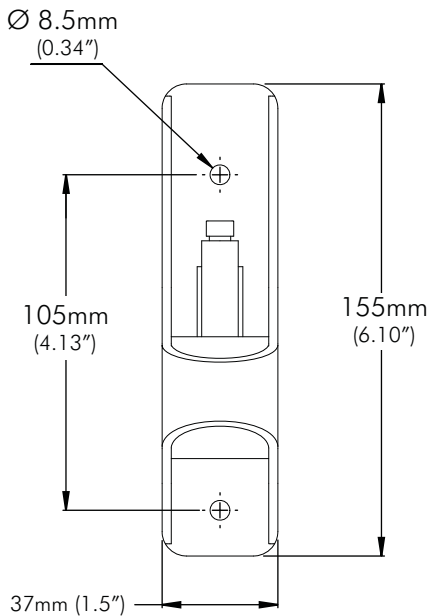
**FASTENERS:** All fasteners included.

**WARRANTY:** Limited 10 years (parts and workmanship).

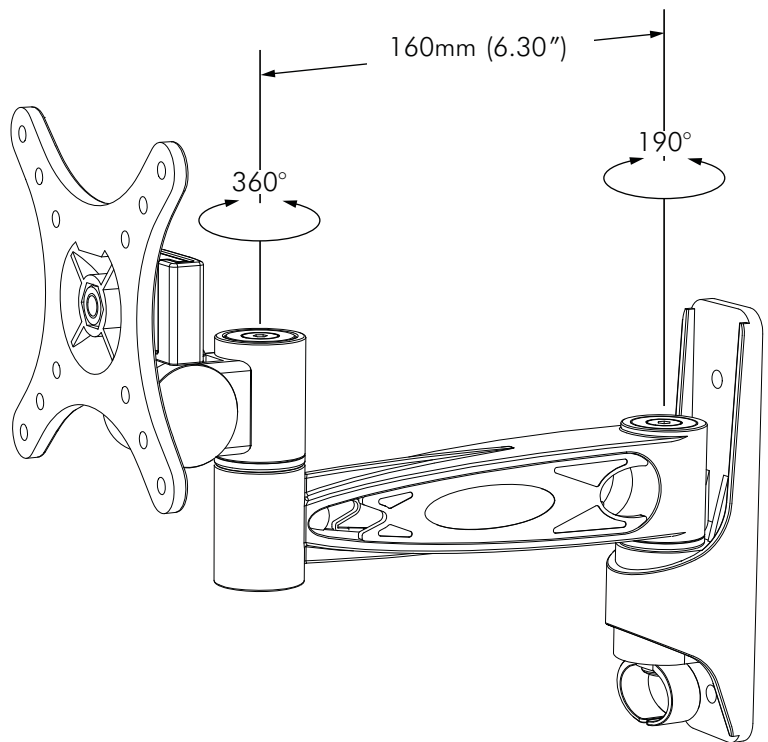
### Dimensions

#### Mounting Bracket

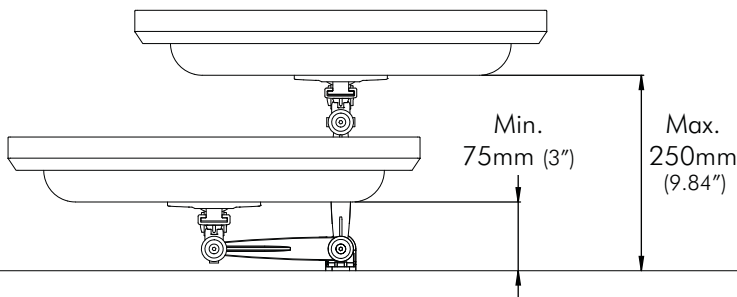
- The Wall Bracket is to be installed vertically.
- The Wall Bracket can be mounted to either:
  - Timber Stud Wall, or
  - Masonry Wall



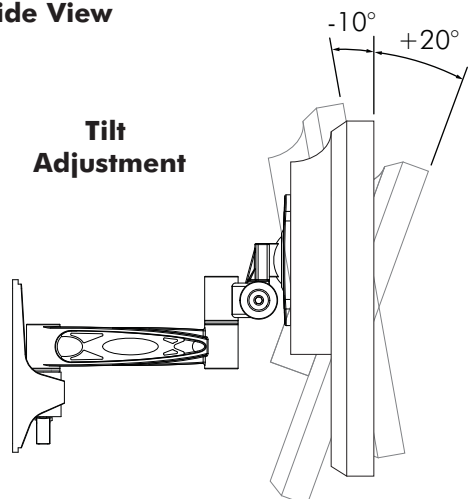
#### Swing Arm Range of Movement



#### Distance from Wall

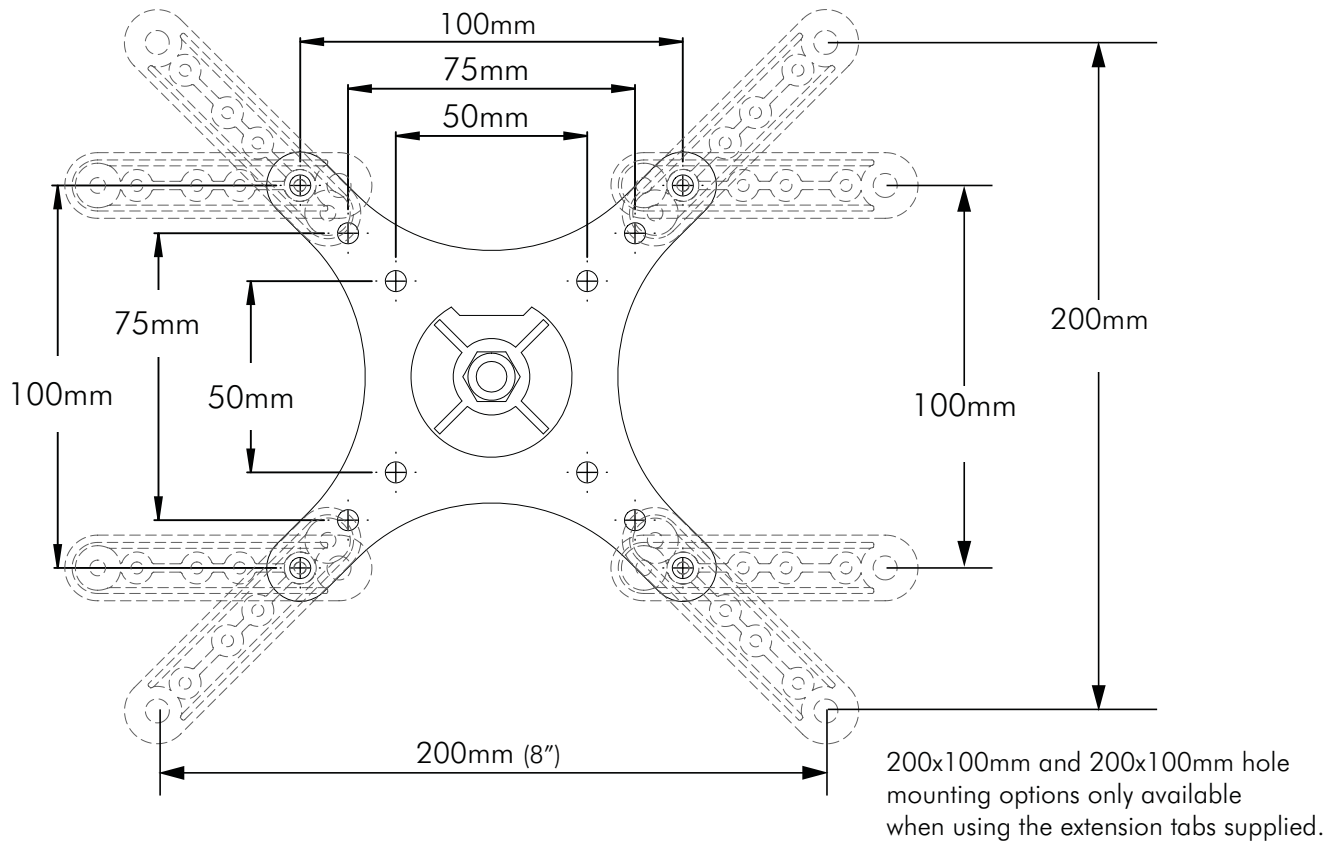


#### Side View



## Dimensions (continued)

### Front View



### Horizontal Range of Movement

