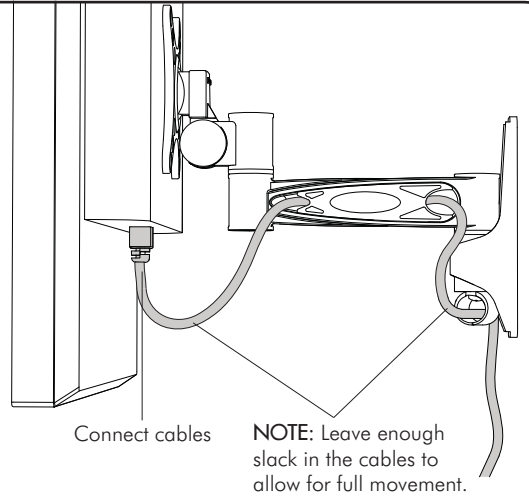
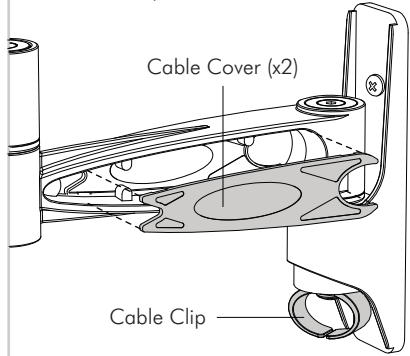


## Step 6. Cable Management

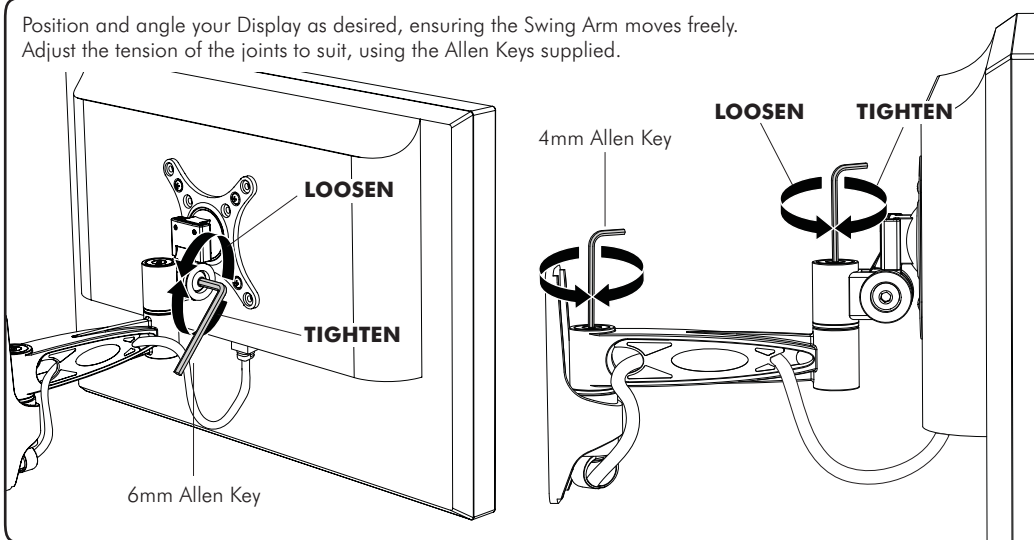
To utilise the Telehook Swing Arm cable management system, use the Cable Covers and Cable Clip as shown.



Connect cables  
NOTE: Leave enough slack in the cables to allow for full movement.

## Step 7. Final Adjustment

Position and angle your Display as desired, ensuring the Swing Arm moves freely. Adjust the tension of the joints to suit, using the Allen Keys supplied.



## Installation Complete

Your Telehook Wall Mount Swing Arm is complete and ready to use.



As Display Manufacturers are constantly releasing new monitor models, Atdec does not accept responsibility if the VESA mounting does not comply with the international standards. Due to continuing product development, the manufacturer reserves the right to alter specifications without notice. Published: 27.11.09 ©

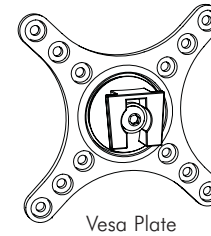
TH-1030-VFM

## Installation Instructions

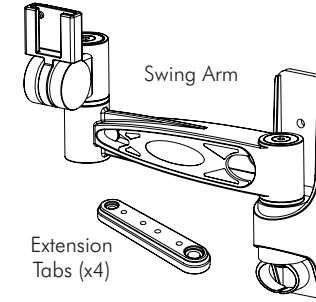


### Flat Screen Wall Mount | Swing Arm

#### Component Checklist



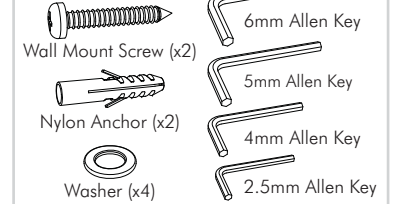
Vesa Plate



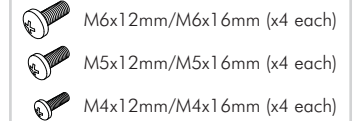
Swing Arm

Extension Tabs (x4)

#### Hardware



#### Display Mounting Screws



#### TOOLS REQUIRED:

- Power Drill
- 4mm (5/32") Drill Bit
- 11mm (7/16") Masonry Drill Bit
- Phillips Head Screwdriver
- Spirit Level

#### Extension Mounting Screws



#### IMPORTANT INFORMATION

- ! **IMPORTANT** - Install Telehook Wall Mount Swing Arm as per the Installation Instructions.
- ! Telehook Wall Mount Swing Arm supports displays weighing up to 20kg (44lbs), with VESA hole configurations: 75x75mm (3"x3"), 100x100mm (4"x4"), \*200x100mm (8"x4"), and \*200x200mm (8"x8") (\*using extension tabs supplied)
- ! The Manufacturer accepts no responsibility for incorrect installation.

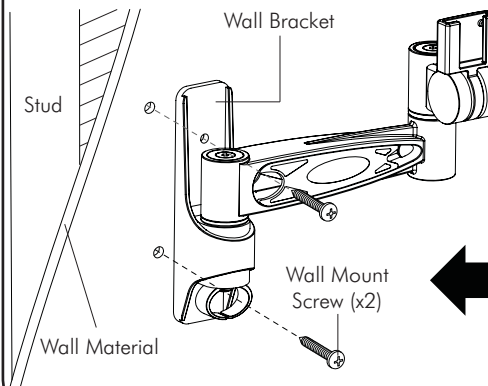
#### Step 1. Check Components

Check you have received all parts against the Component Checklist and Hardware above.

#### Step 2. Installing the Wall Bracket

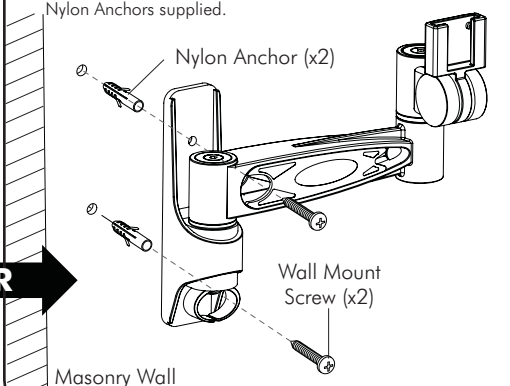
##### Mounting to a Timber Stud Wall:

- Position Wall Bracket vertically on the wall and mark the 2 mounting holes (use a spirit level to check).
- Drill two 60mm (2 3/8") deep holes using a 4mm (5/32") drill bit.
- Secure the Wall Bracket using the Wall Mount Screws supplied.



##### Mounting to a Masonry Wall:

- Position the Wall Bracket vertically on the wall and mark the 2 mounting holes (use a spirit level to check).
- Drill two 60mm (2 3/8") deep holes using an 11mm (7/16") masonry drill bit.
- Secure the Wall Bracket using the Wall Mount Screws and Nylon Anchors supplied.



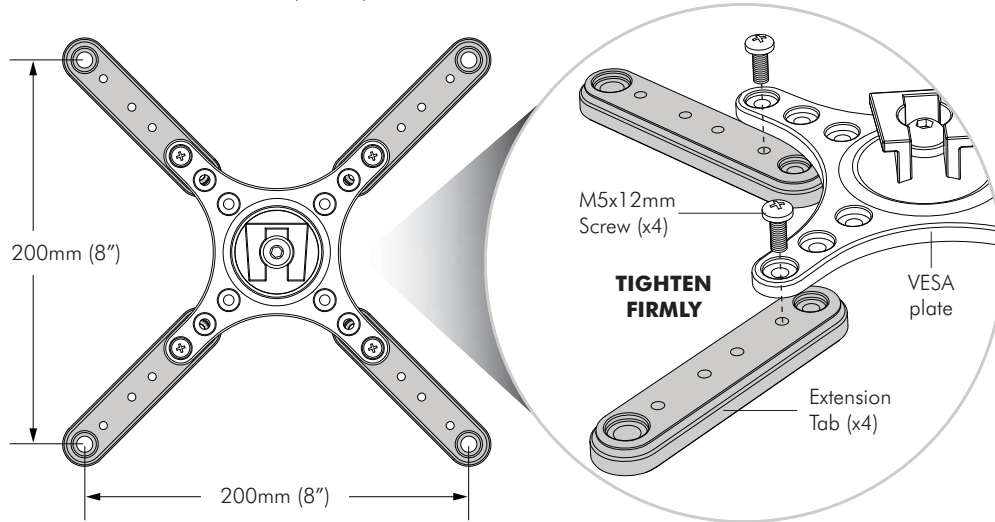
OR

As Display Manufacturers are constantly releasing new monitor models, Atdec does not accept responsibility if the VESA mounting does not comply with the international standards. Due to continuing product development, the manufacturer reserves the right to alter specifications without notice. Published: 27.11.09 ©

### Step 3. Attach the Extension Tabs to the VESA plate (optional)

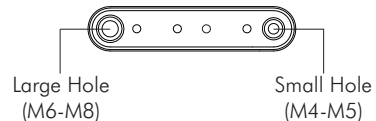
Only use the Extension Tabs if the display you wish to mount has a 200x200mm (8"x8"), or 200x100mm (8"x4") VESA hole mounting configuration. If not, skip to Step 4.

#### OPTION A - 200x200mm (8"x8")

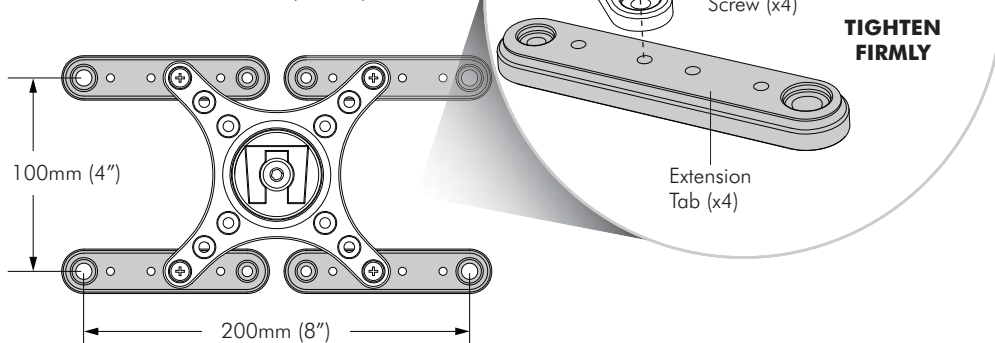


Secure the Extension Tabs to the VESA plate using the M5x12mm Extension Mounting Screws supplied.

**NOTE:** Position the Extension Tabs to suit your display mounting hardware.

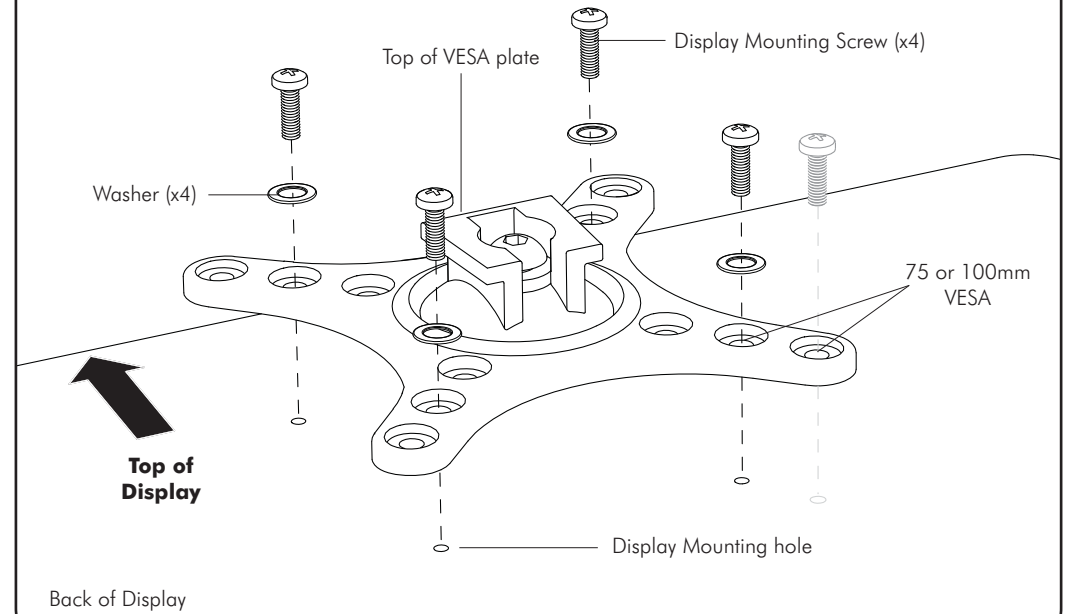


#### OPTION B - 200x100mm (8"x4")



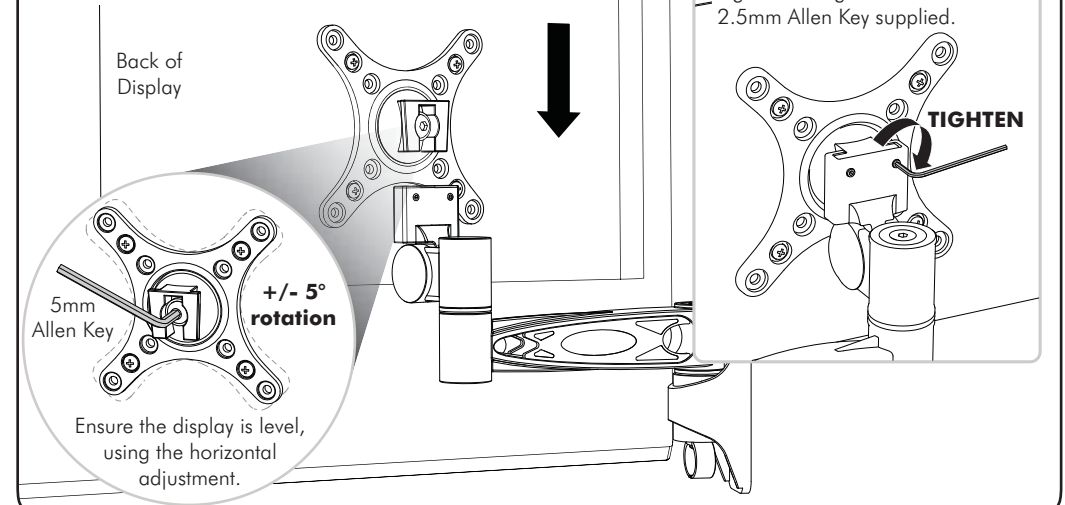
### Step 4. Attach the VESA plate to your Display

Fasten the VESA plate to your Display using the Display Mounting screws and Washers provided. Select the appropriate size screw to suit your Display.



### Step 5. Attach your Display to the Swing Arm (two people required)

Slot the VESA plate on to the Swing Arm.



Tighten both grub screws with the 2.5mm Allen Key supplied.