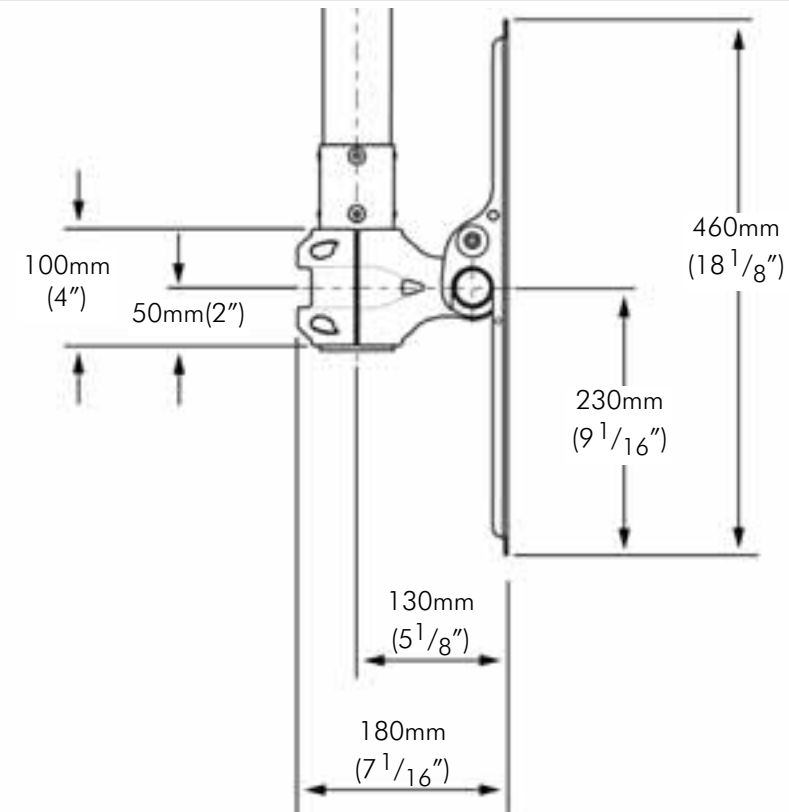


TH-3070- CTW

Dimensions Side View



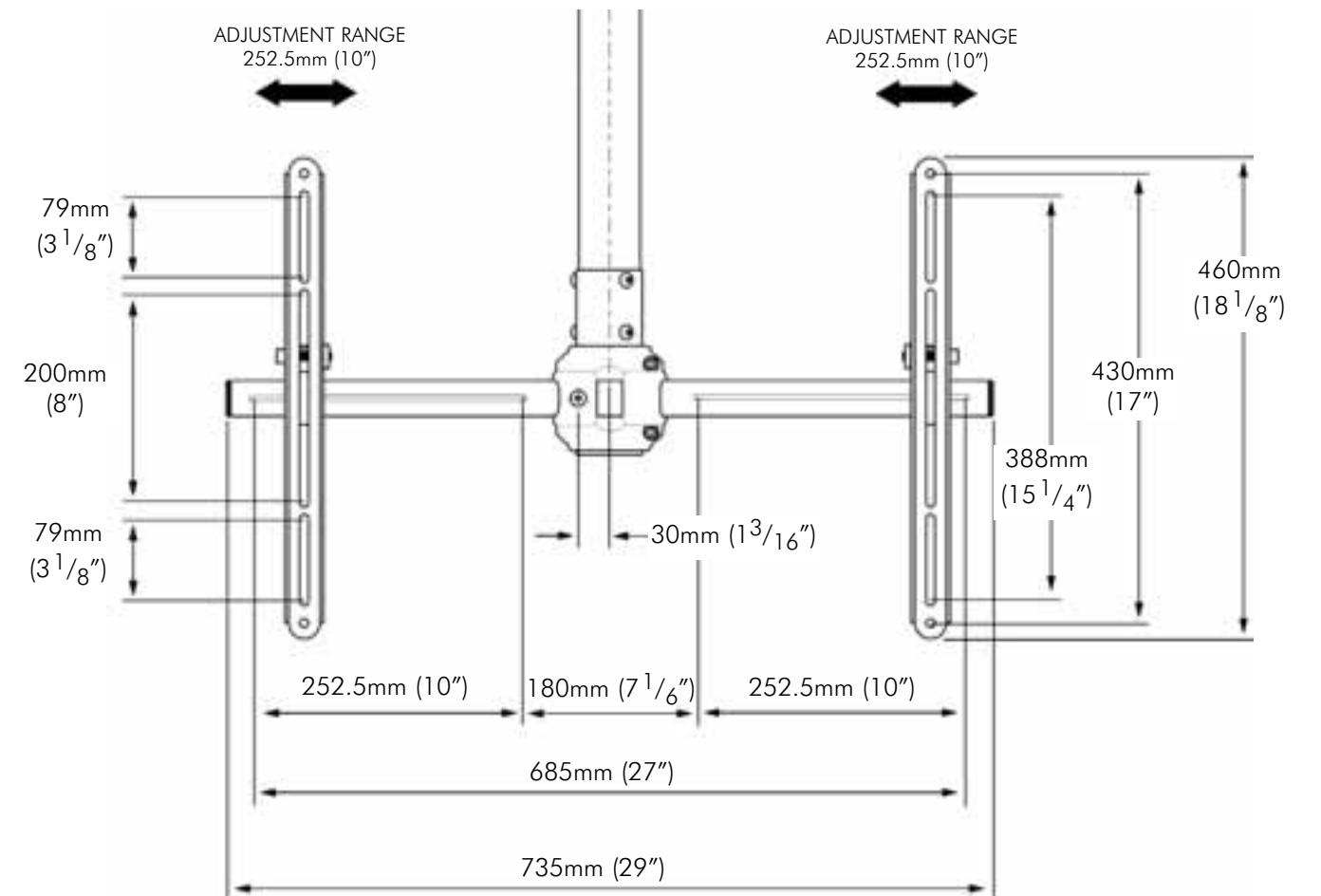
Telehook Flat Panel Ceiling Mount supports a maximum weight of 91kgs (200lbs)

NOTE:

The Telehook Flat Panel Ceiling Mount is designed to suit most VESA and non-VESA compliant displays.

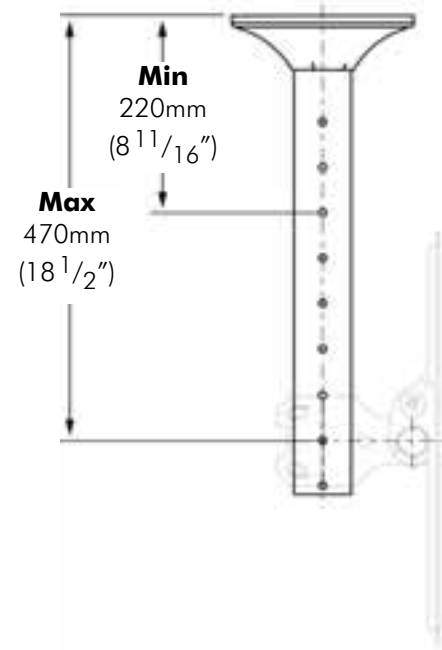
The installer should satisfy themselves that the ceiling is strong enough to support the Telehook Flat Panel Ceiling Mount unit of 14kgs (31lbs) plus the maximum allowable monitor weight of 91kgs (200lbs). Total of 105kgs (231lbs).

Dimensions Front View



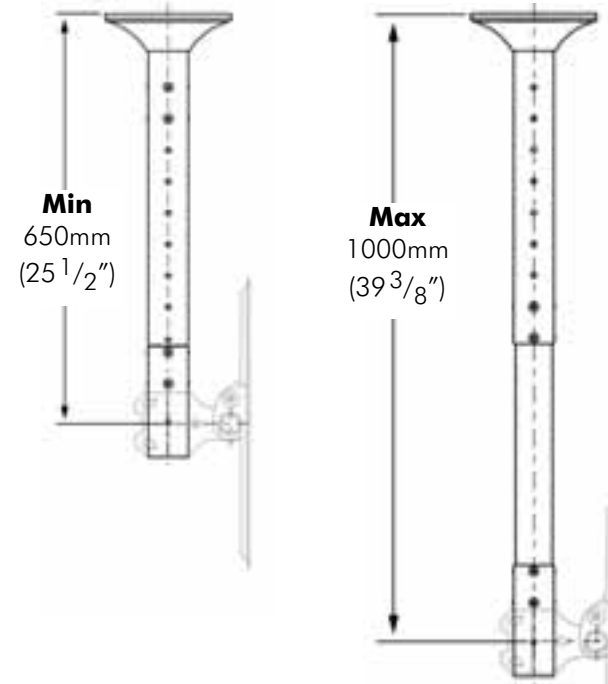
Hanger Settings

Option 1: 220mm (8¹¹/₁₆") - 470mm (18¹/₂")



6x50mm (2") incremental positioning options.

Option 2: 650mm (25¹/₂") - 1000mm (39³/₈")

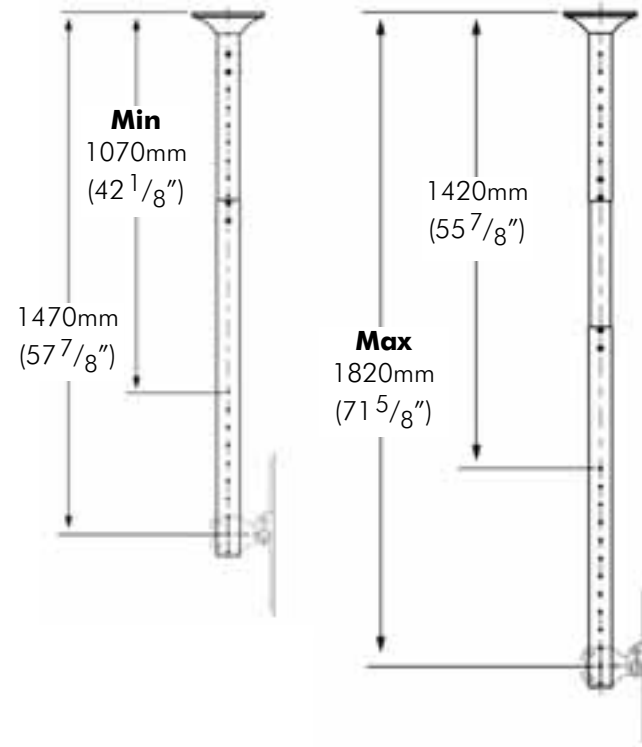


8x50mm (2") incremental positioning options.

Option 3: 1070mm (42¹/₈") - 1820mm (71⁵/₈")

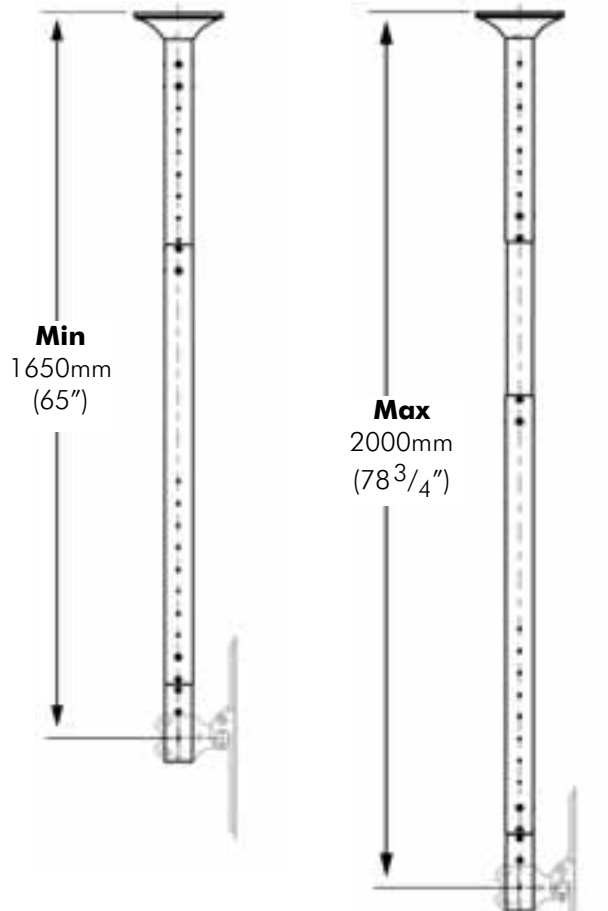
Setting A

Setting B



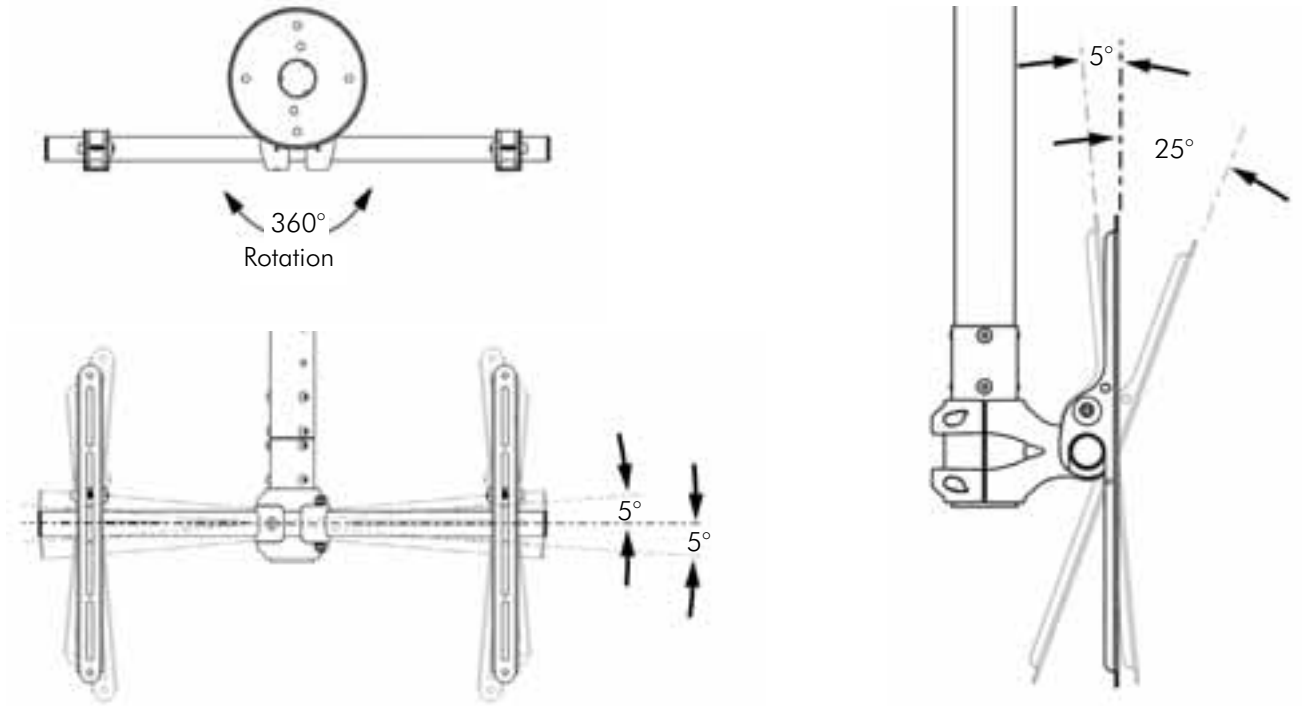
A: 9x50mm (2") incremental positioning options.
B: 9x50mm (2") incremental positioning options.

Option 4: 1650mm (65") - 2000mm (78³/₄")

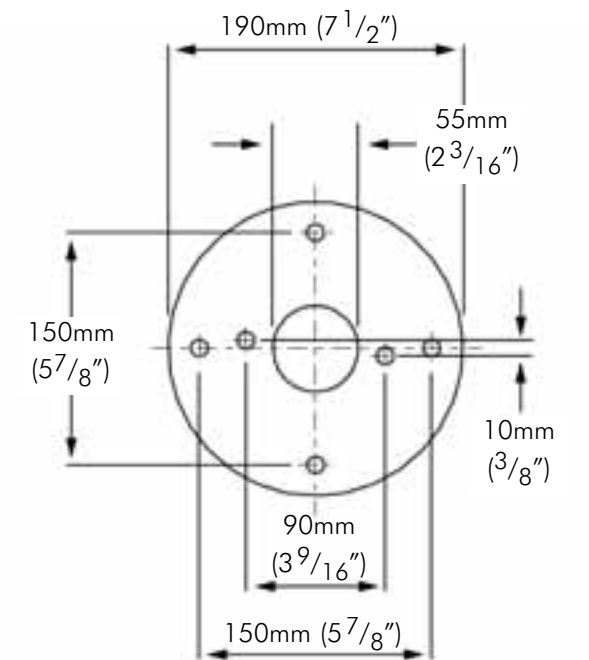
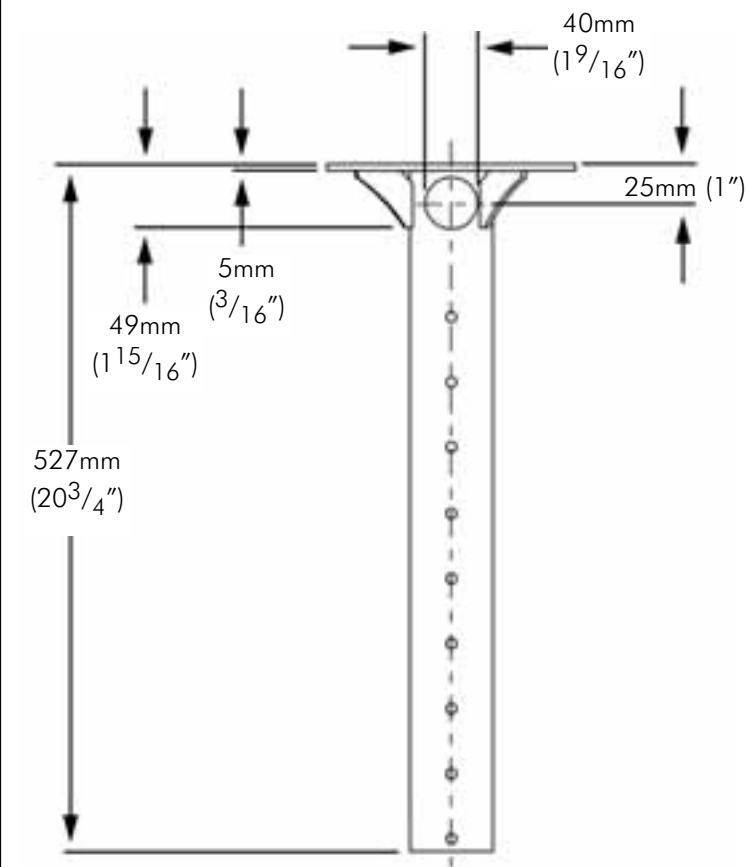


8x50mm (2") incremental positioning options.

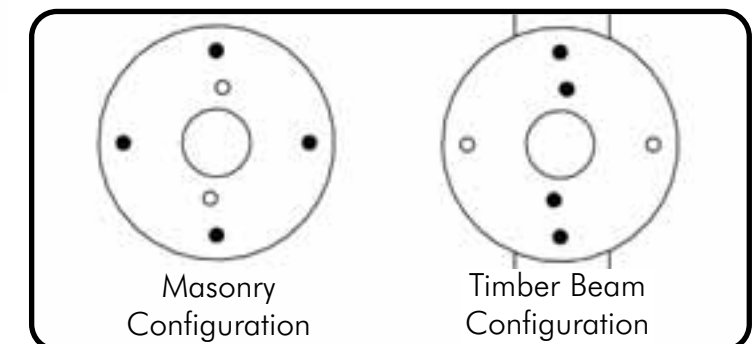
Range of Movement



Ceiling Mount



CEILING PLATE HOLE PATTERN



MOUNTING HOLE PATTERNS