



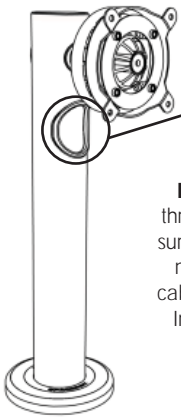
Technical Specifications

SPACEDECTM

DISPLAY POS Multi

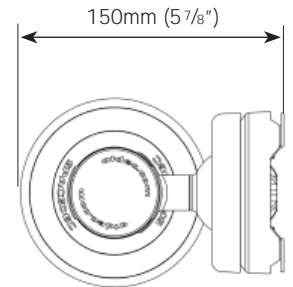
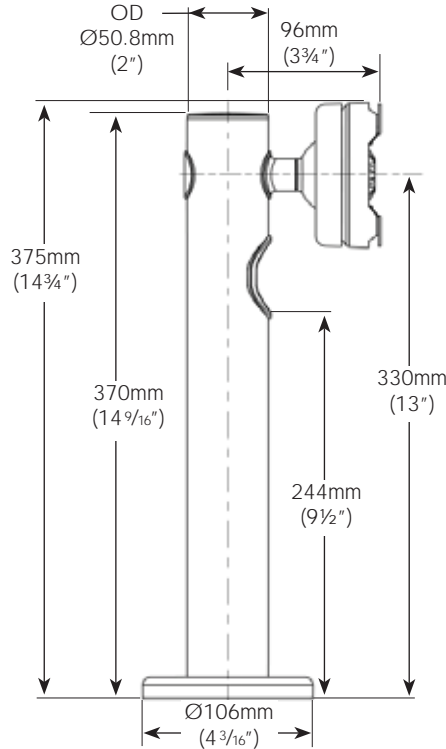
Dimensions

NOTE: This product has been designed to mount 12"(30cm) - 24"(61cm) displays. It will suit VESA compliant displays with 75mmx75mm (3"x3") & 100mmx100mm (4"x4") hole patterns only. It will support displays up to a maximum weight of 11kg (24.2lbs). The back to back will support 2 x 11kg (24.2lbs) displays.

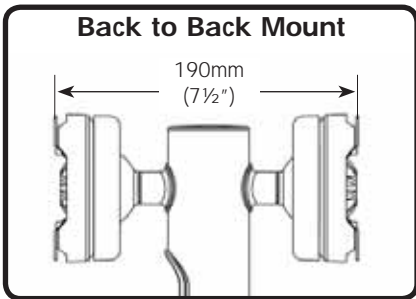
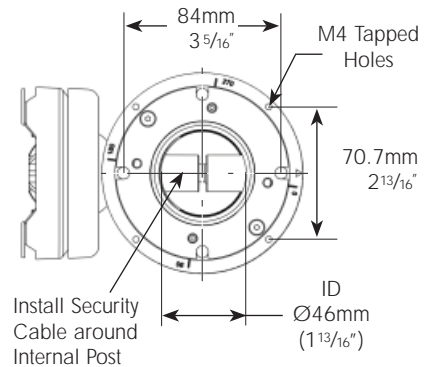


Cable Access Hole
37mm x 43mm
(1 7/16" x 1 11/16")

NOTE: If cable access through the post and work surface is required, you will need to drill a Ø45mm cable access hole. (Refer to Installation Instructions.)



Mounting Plate Footprint

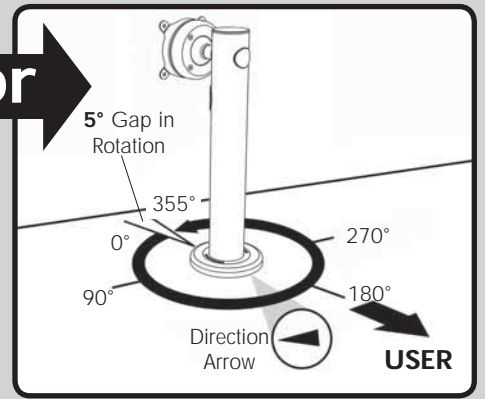
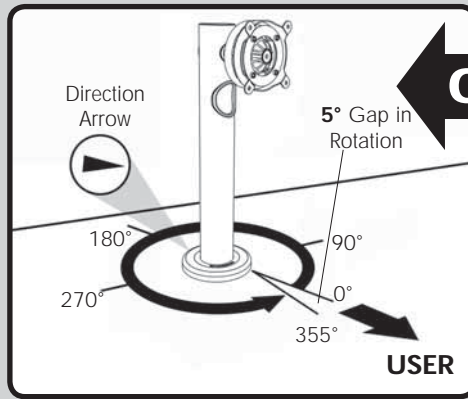


Rotation

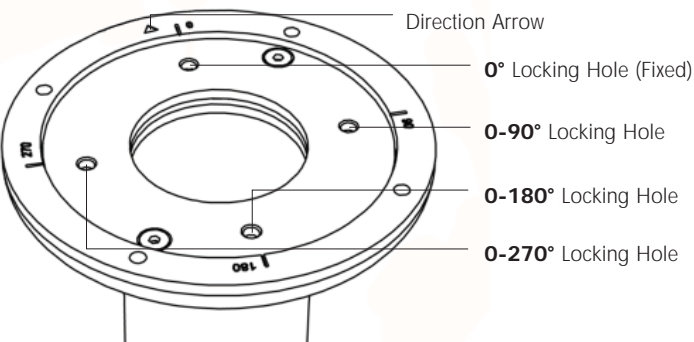
Your POS Multi offers 355° of Rotation. This can also be limited to suit a specific application.

The Direction in which you mount POS Multi will determine where the 5° gap in Rotation is located, and how you choose to limit the rotation.

- Rotation Options**
- 0° Rotation (Fixed)
 - 0-90° Rotation
 - 0-180° Rotation
 - 0-270° Rotation
 - 0-355° Rotation



Locking Holes (Refer to Installation Instructions for further details)



Ball Assembly

Each Ball Assembly has 40 degrees rotation about its central axis.

