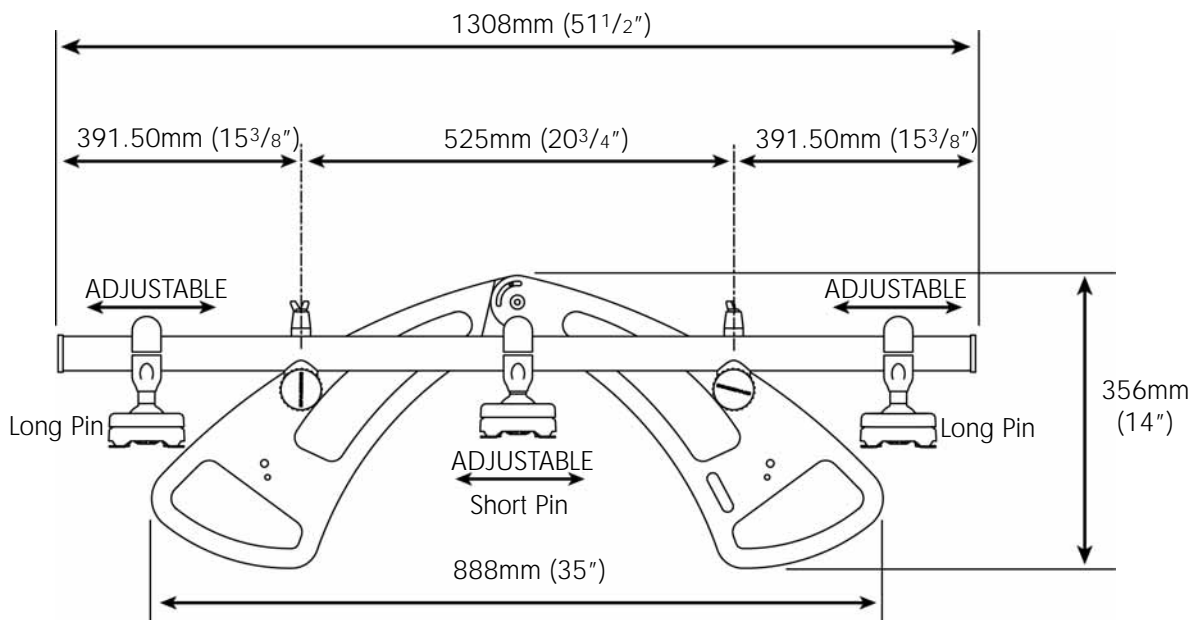
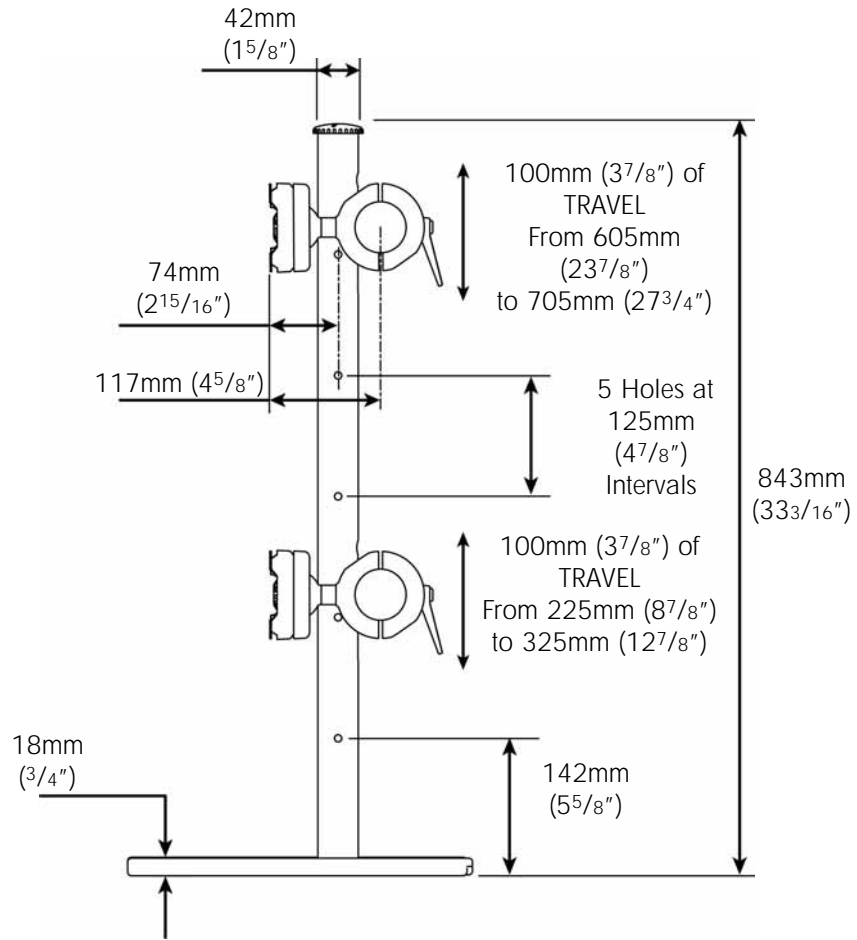


# Technical Specifications

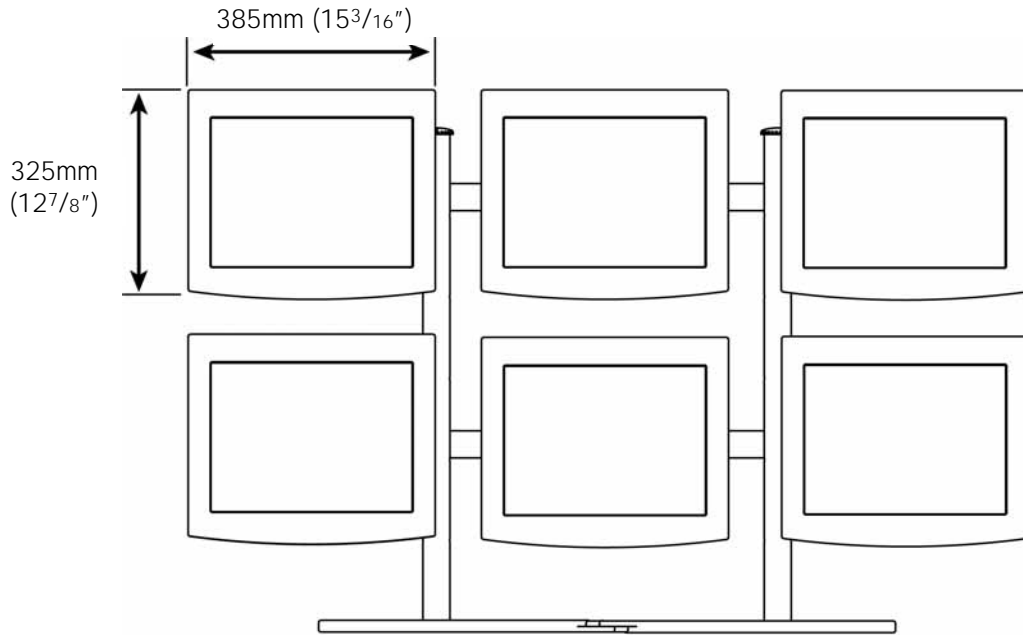
# SPACEDEC<sup>™</sup>

## DISPLAY FREESTANDING HEX

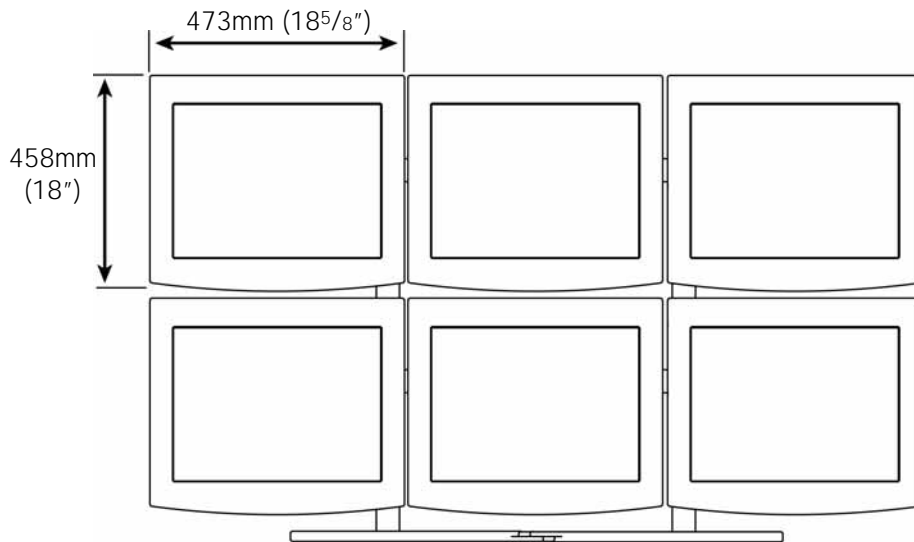
### Dimensions



## Typical Configurations



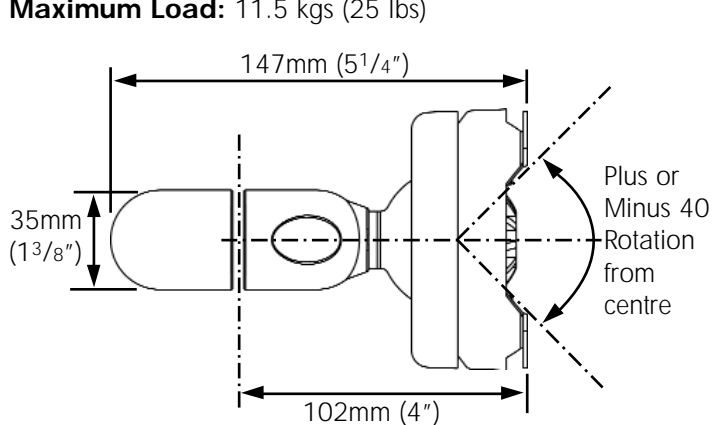
Typical configuration for 15" Monitors



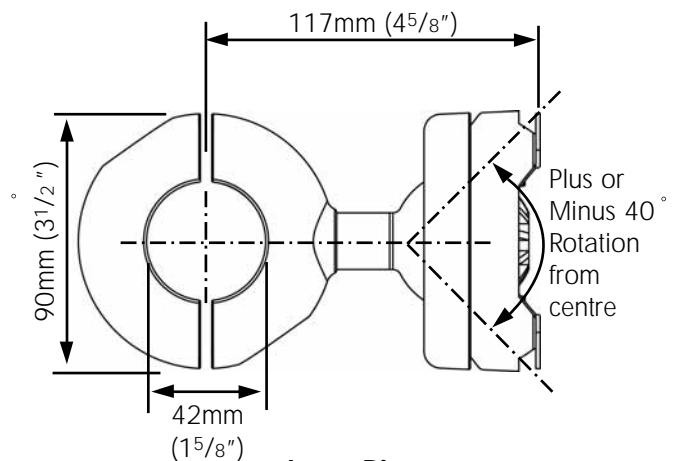
Typical configuration for 21" Monitors

## Donut 42 Dimensions

**Maximum Load:** 11.5 kgs (25 lbs)



**Short Pin**



**Long Pin**

