

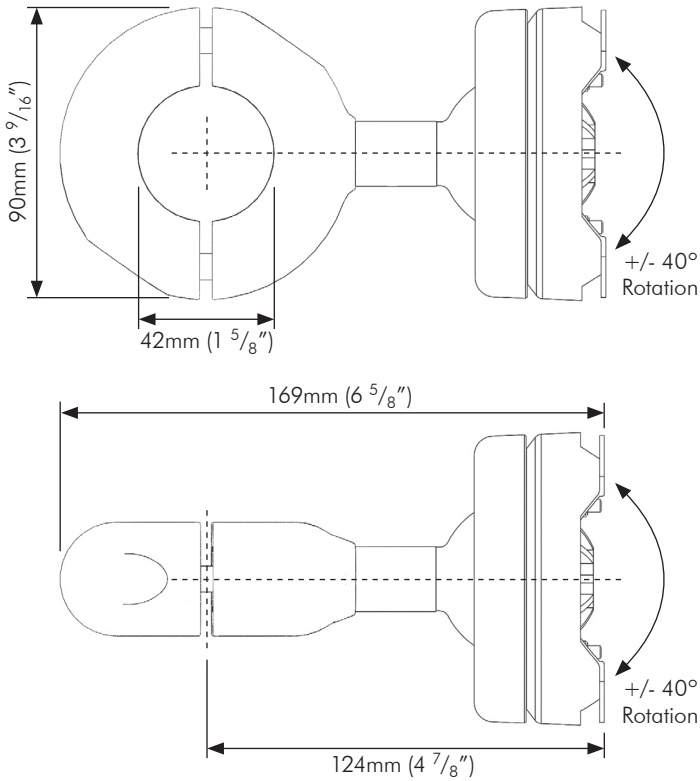
Technical Specifications

SPACEDEC

DONUT 42 & 50 & DONUT COMBO

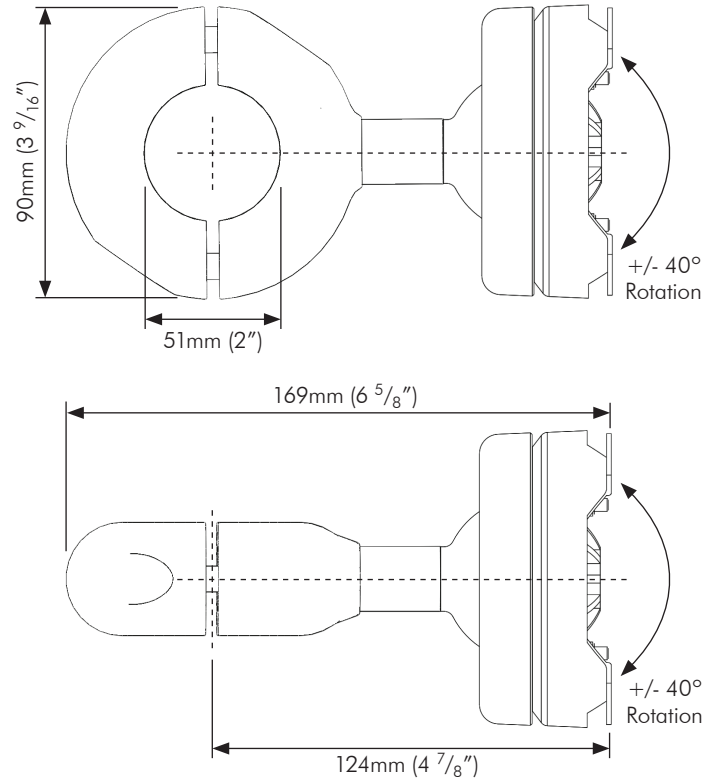
Maximum Load: 11.5 kgs (25lbs)

Donut 42



* This product is VESA compliant and suits both 75mm (3") and 100mm (4") LCD display mounting hole patterns.

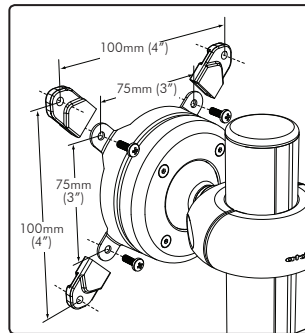
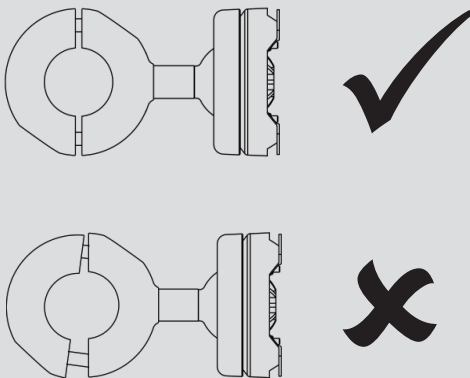
Donut 50



NOTE: Add 25mm (1") for Quick Release

Donut Combo

IMPORTANT: Each of the Donut Bolts must be tightened evenly. Failure to do so will damage the Donut Clamp. Do not over-tighten as this may also result in damage.



Note: Extension Clips are included to suit VESA 100mm x 100mm (4" x 4") Mounting Hole Patterns.

