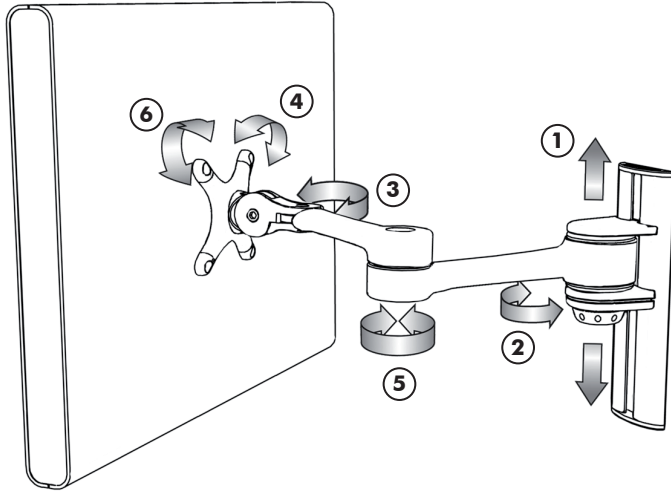


A General Features

- ① Vertical adjustment 128mm (5")
- ② Rotation 180°
- ③ Pan 180°
- ④ Portrait/Landscape adjustment
- ⑤ Rotation 360°
- ⑥ Tilt ±70°



Display Compatibility:

Suits displays from 12" (30cm) to 21" (53.5cm)

Display Weight Compatibility:

Max. 6kg (13lbs)

Display Mounting Options:

Suits 75mm x 75mm (3" x 3") to 100mm x 100mm (4" x 4") mounting hole patterns

Cable Management:

Cable Covers (included in package)

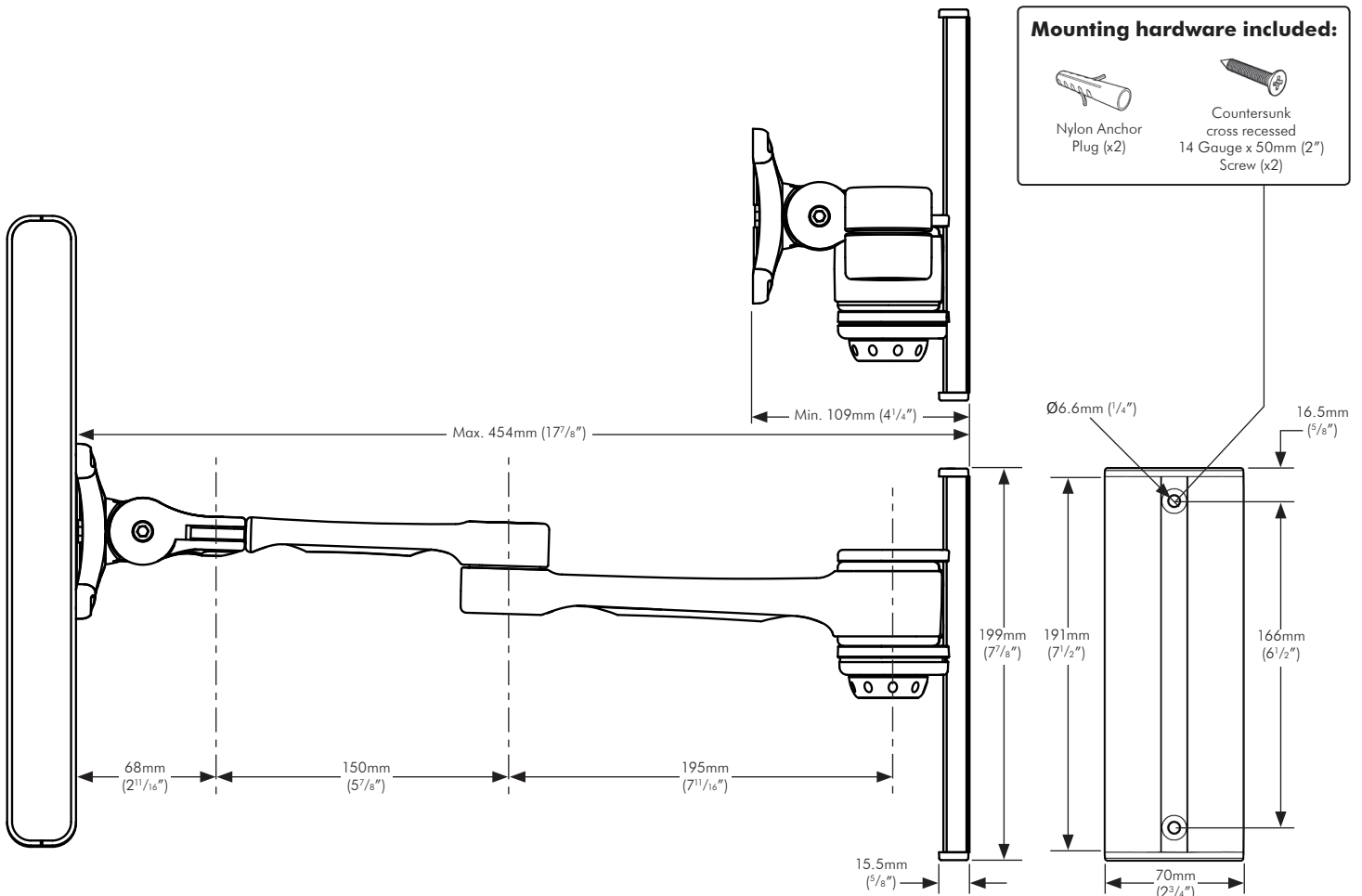
Colours:

Polished Arm with Matt Silver Wall Plate

Warranty:

5 years limited

B Overall Dimensions



Mounting hardware included:



Nylon Anchor Plug (x2)



Countersunk cross recessed 14 Gauge x 50mm (2") Screw (x2)