

# Technical Specifications

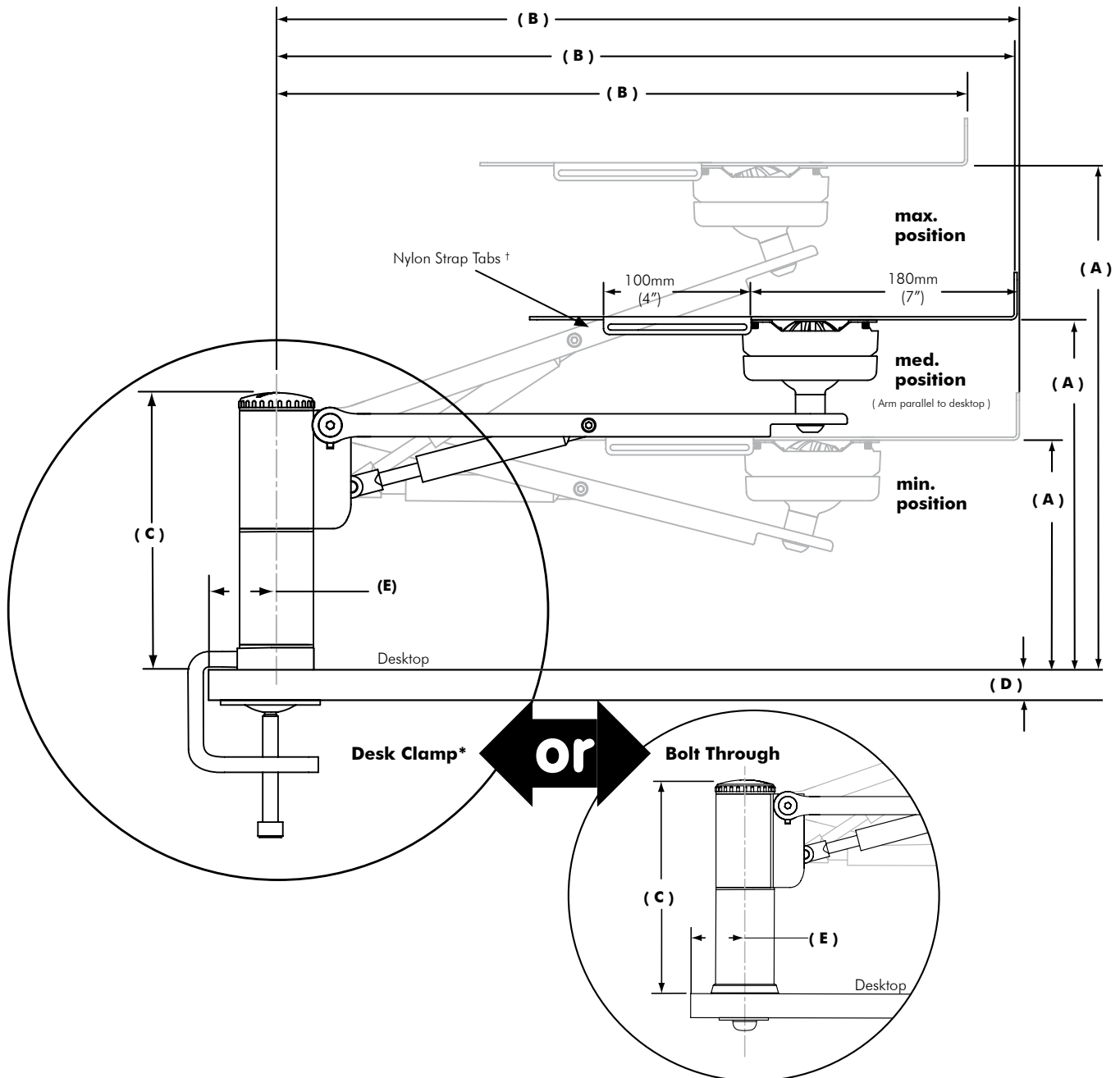
# SPACEDEC

## SWING ARM NOTEBOOK

### Side View Dimensions

NOTE: This product has been designed to support an average sized notebook computer or a notebook computer with docking station and should be used in conjunction with a keyboard and/or mouse.

Maximum Load = 4.5kg (9.9lbs)

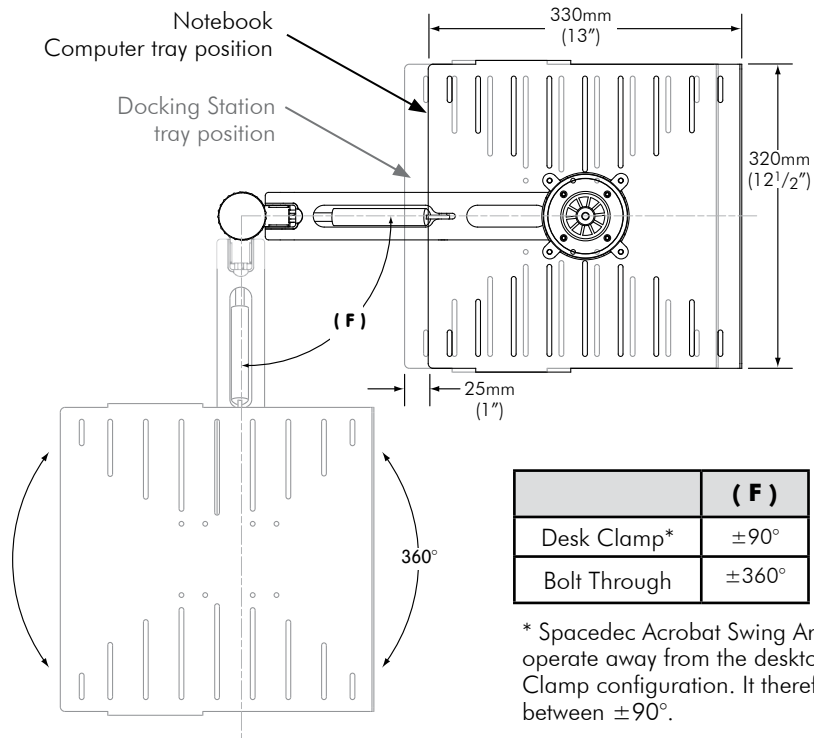


Dimension		( A )			( B )			( C )	( D )		( E )
Position		max.	med.	min.	max.	med.	min.	thickest	thinnest		
Desk Clamp	mm (")	485 (19)	243 (9 <sup>1</sup> / <sub>2</sub> )	159 (6 <sup>1</sup> / <sub>4</sub> )	395 (15 <sup>1</sup> / <sub>2</sub> )	500 (19 <sup>5</sup> / <sub>8</sub> )	502 (19 <sup>3</sup> / <sub>4</sub> )	193 (7 <sup>5</sup> / <sub>8</sub> )	98 (3 <sup>7</sup> / <sub>8</sub> )	12 ( <sup>1</sup> / <sub>2</sub> )	46 (1 <sup>13</sup> / <sub>16</sub> )
Bolt Through	mm (")	478 (18 <sup>7</sup> / <sub>8</sub> )	236 (9 <sup>5</sup> / <sub>16</sub> )	152 (6)	395 (15 <sup>1</sup> / <sub>2</sub> )	500 (19 <sup>5</sup> / <sub>8</sub> )	502 (19 <sup>3</sup> / <sub>4</sub> )	186 (7 <sup>5</sup> / <sub>16</sub> )	40 (1 <sup>1</sup> / <sub>2</sub> )	12 ( <sup>1</sup> / <sub>2</sub> )	29* (1 <sup>1</sup> / <sub>8</sub> )

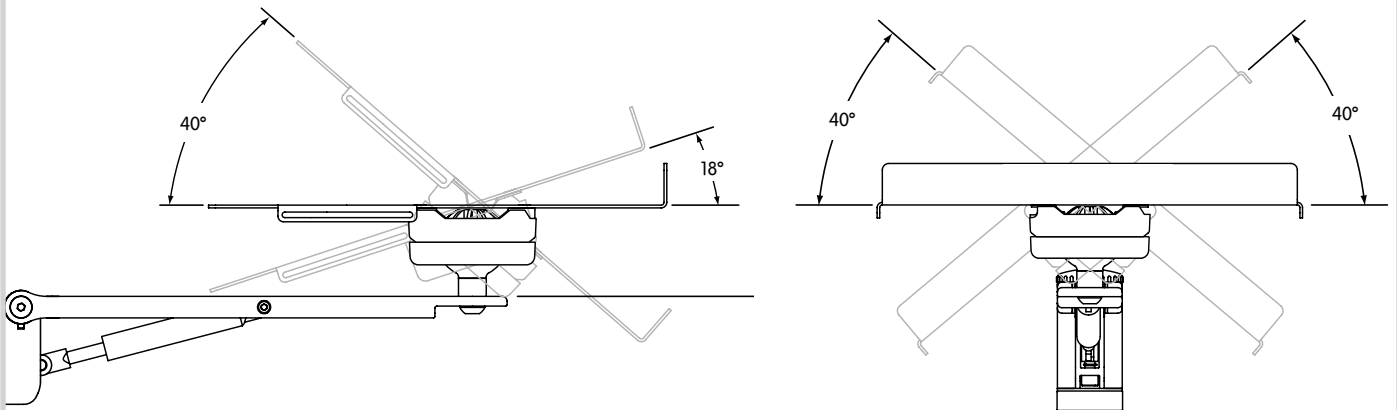
\* Minimum distance from edge of desktop.

† The supplied Nylon Strap suits notebooks and/or docking stations 310mm x 30mm (12<sup>1</sup>/<sub>4</sub>" x 1<sup>3</sup>/<sub>16</sub>") or smaller.

## Top View Dimensions



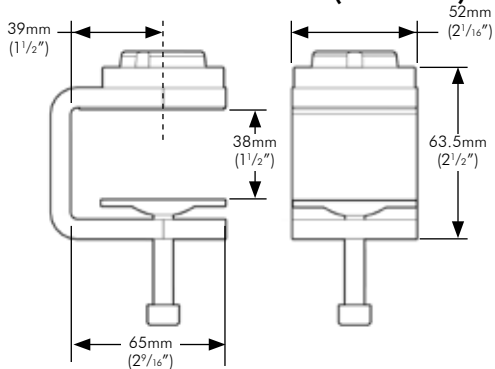
## Ball Joint Movement



## Desk Mounting Options

### Desk Clamp

Suits desk thicknesses of 12mm to 38mm (1/2" to 1 1/2")



**NOTE: Desk Clamp requires min. 60mm (2 3/8") of desk overhang**

### Bolt Through

Suits desk thicknesses of 12mm to 40mm (1/2" to 1 1/2")

