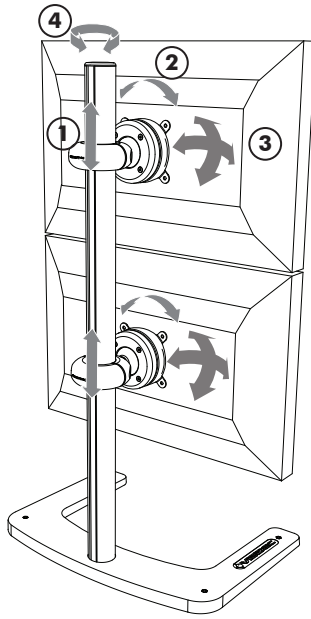


# FREESTANDING DOUBLE VERTICAL

## Technical Specifications

### A General Features



#### Display Compatibility:

Visidec Freestanding Double Vertical is compatible with most Flat Panel Displays between 12" (30cm) and 24" (61cm) that feature either 75mm x 75mm (3 x 3") or 100mm x 100mm (4 x 4") VESA mounting hole patterns.

#### Display Weight Compatibility:

Each Donut Clamp Assembly supports a maximum weight of 11.5kg (25.3lbs)

#### Cable Management:

Cable Slot, Cable Clips and Cable Balls (included in package)

#### Colour Options:

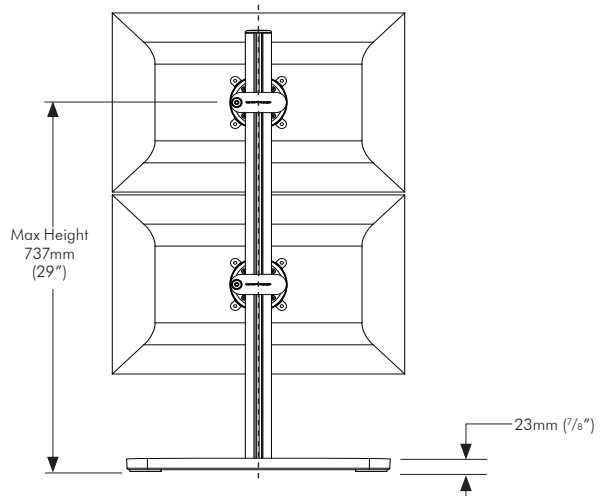
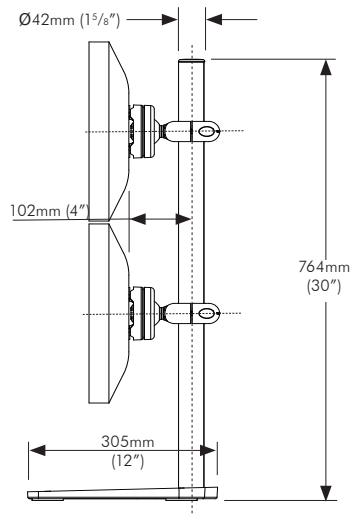
- Pole available in Matt Silver Anodised only.
- Donut available in Black only.
- Base available in black/silver only.

#### Warranty:

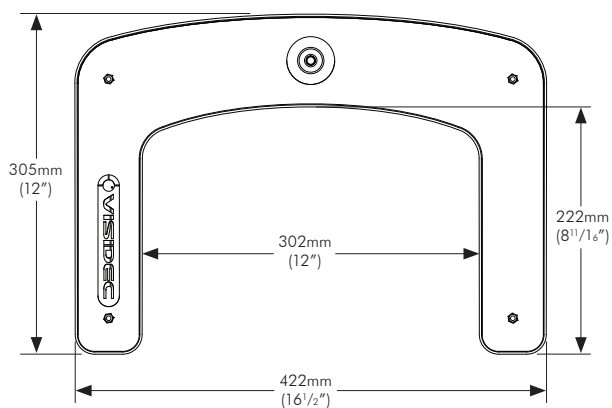
5 years limited

- ① Vertical height adjustment
- ② 360° Portrait/Landscape adjustment
- ③ 40° Pan/Tilt adjustment
- ④ 360° Rotation

### B Overall Dimensions



### C Base Dimensions



### D VESA Display Mounting Options

Choose the correct mounting screws supplied in the bits box and attach the display as shown.

**Note:** Extension Clips are included to suit VESA 100mm x 100mm (4" x 4") Mounting Hole Patterns.

