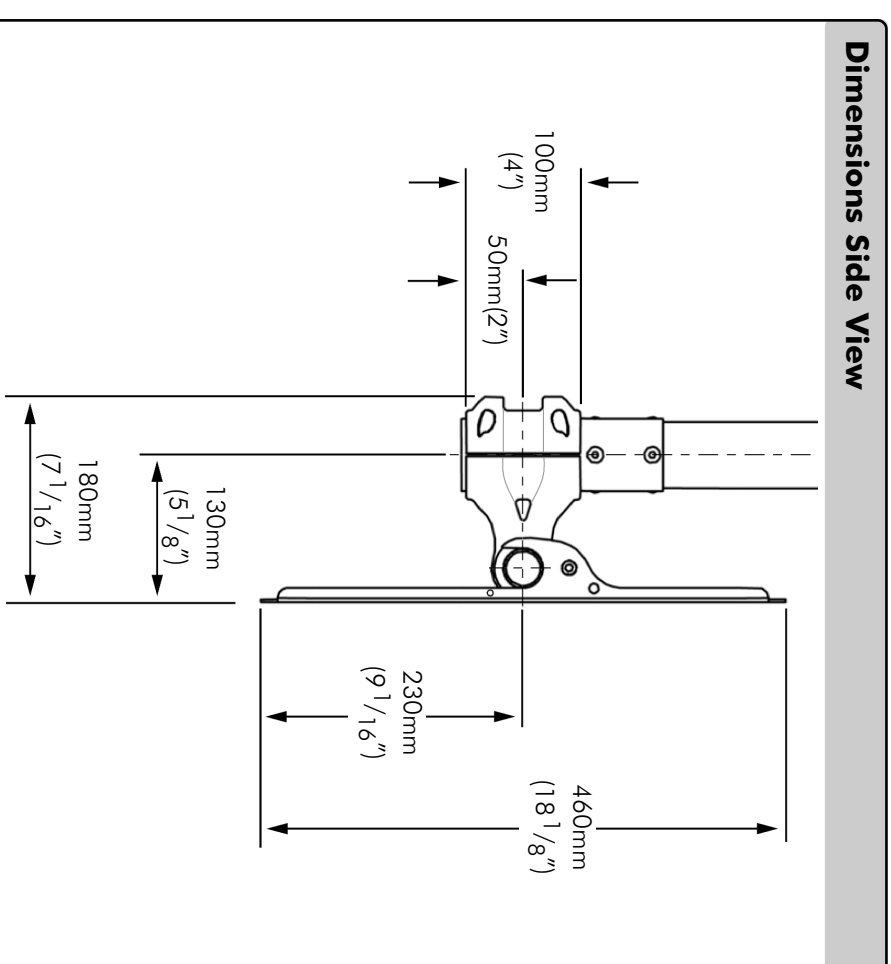


Technical Specifications

TELEHOOK®

31-55 Tilt Ceiling

Dimensions Side View



Telehook 31-55 Tilt Ceiling supports a maximum weight of 60kgs (132lbs)

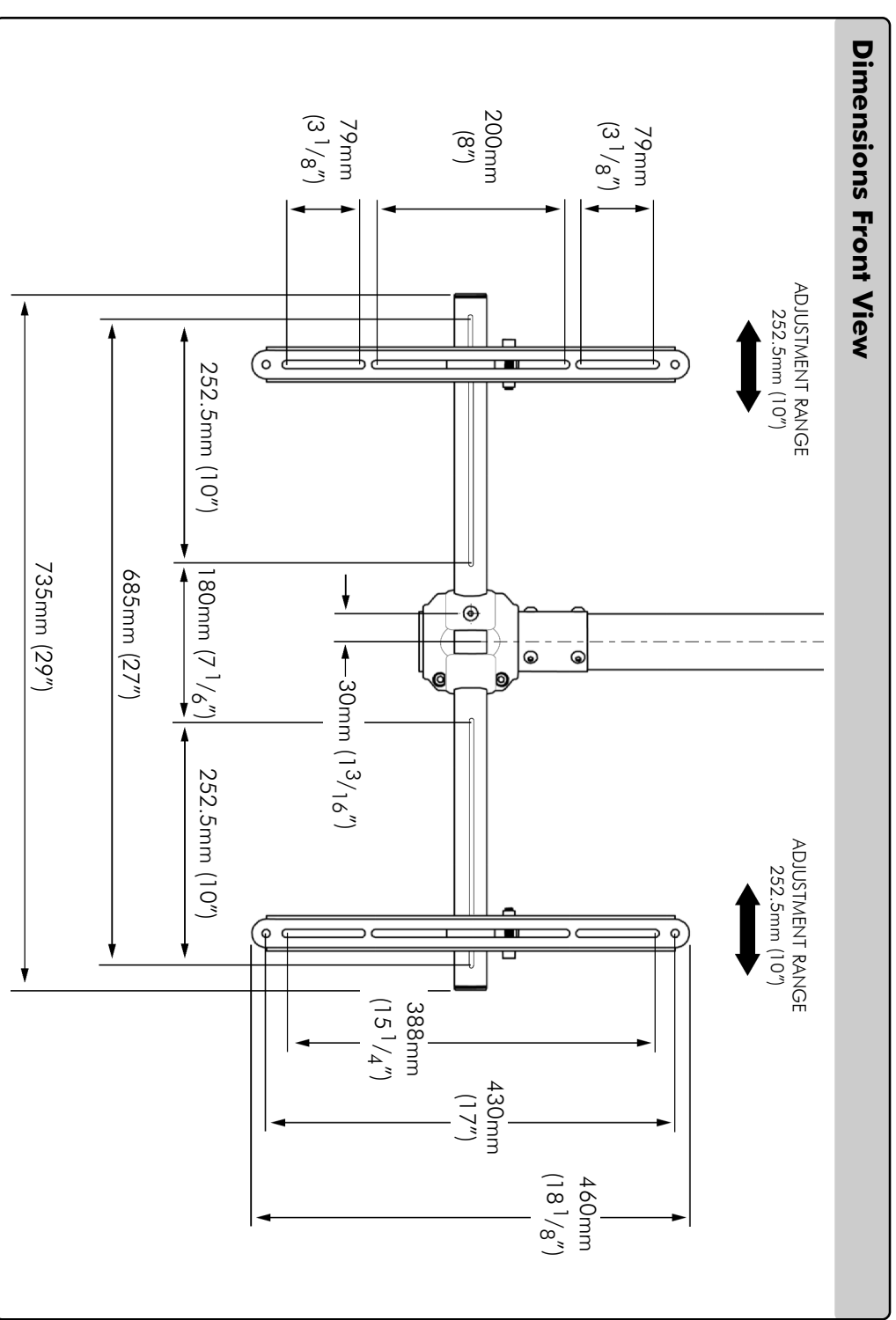
NOTE:

This product is to be used in conjunction with Telehook 31-55 Tilt Wall.

The Telehook 31-55 Tilt Ceiling is designed to suit most VESA and non-VESA compliant displays.

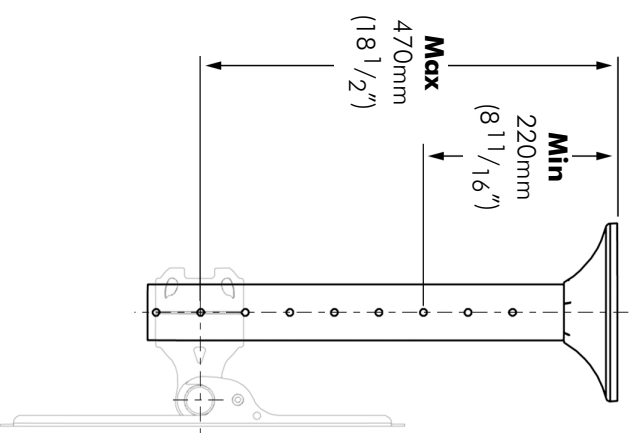
The installer should satisfy themselves that the ceiling is strong enough to support the Telehook 31-55 Tilt Ceiling unit of 14kgs (31lbs) plus the maximum allowable monitor weight of 60kgs (132lbs). Total of 74kgs (163lbs).

Dimensions Front View



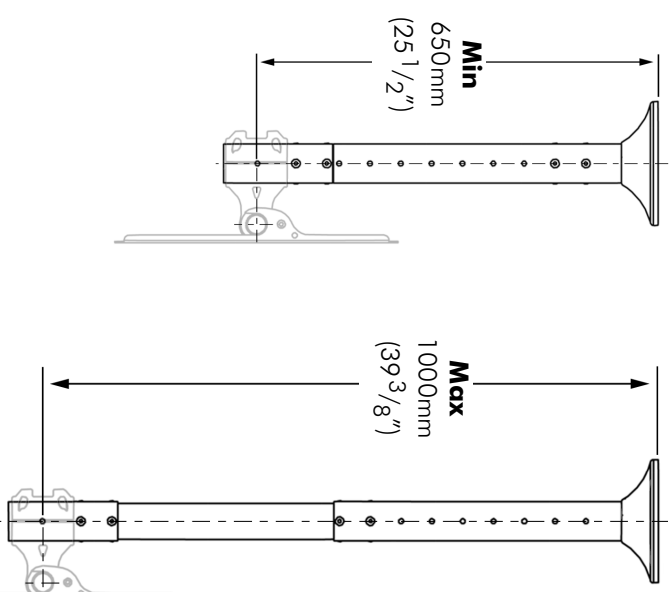
Hanger Settings

Option 1: 220mm (8¹¹/₁₆") - 470mm (18¹/₂")



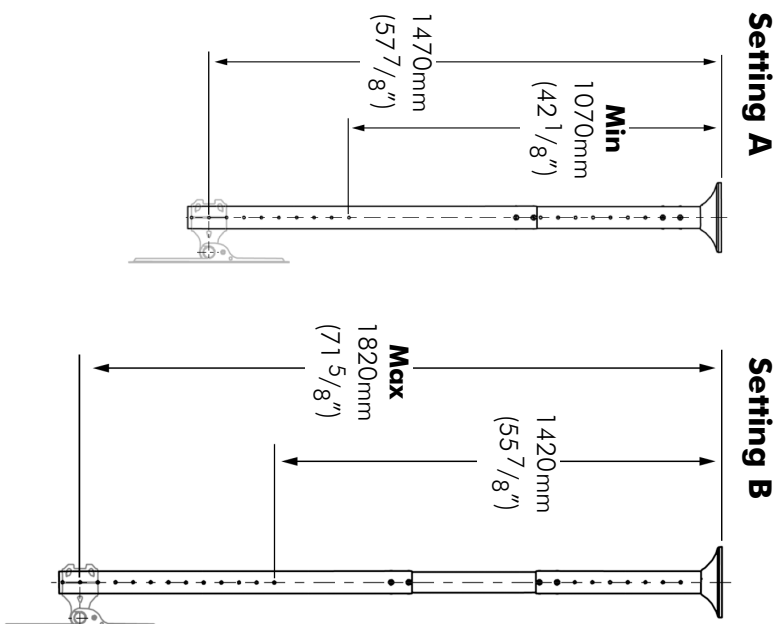
6x50mm (2") incremental positioning options.

Option 2: 650mm (25¹/₂") - 1000mm (39³/₈")



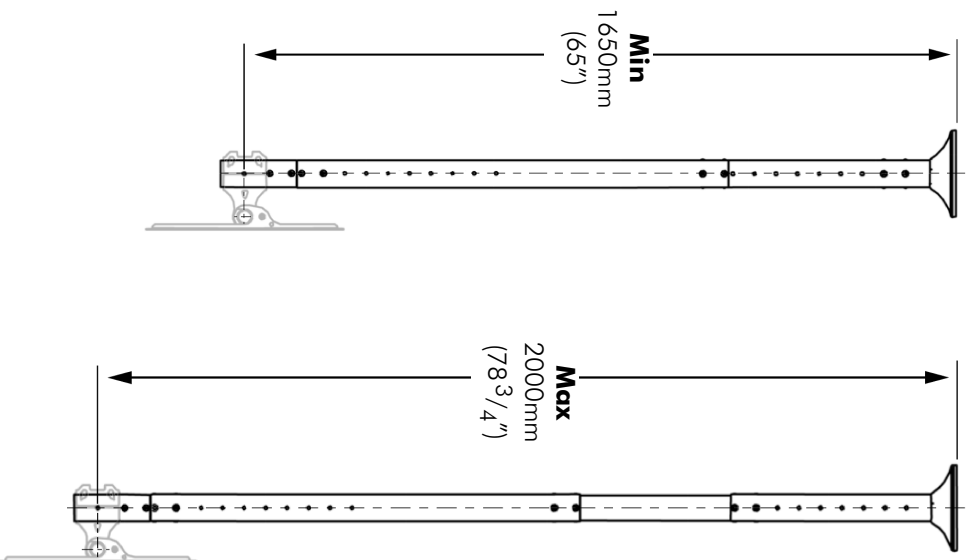
8x50mm (2") incremental positioning options.

Option 3: 1070mm (42¹/₈") - 1820mm (71⁵/₈")



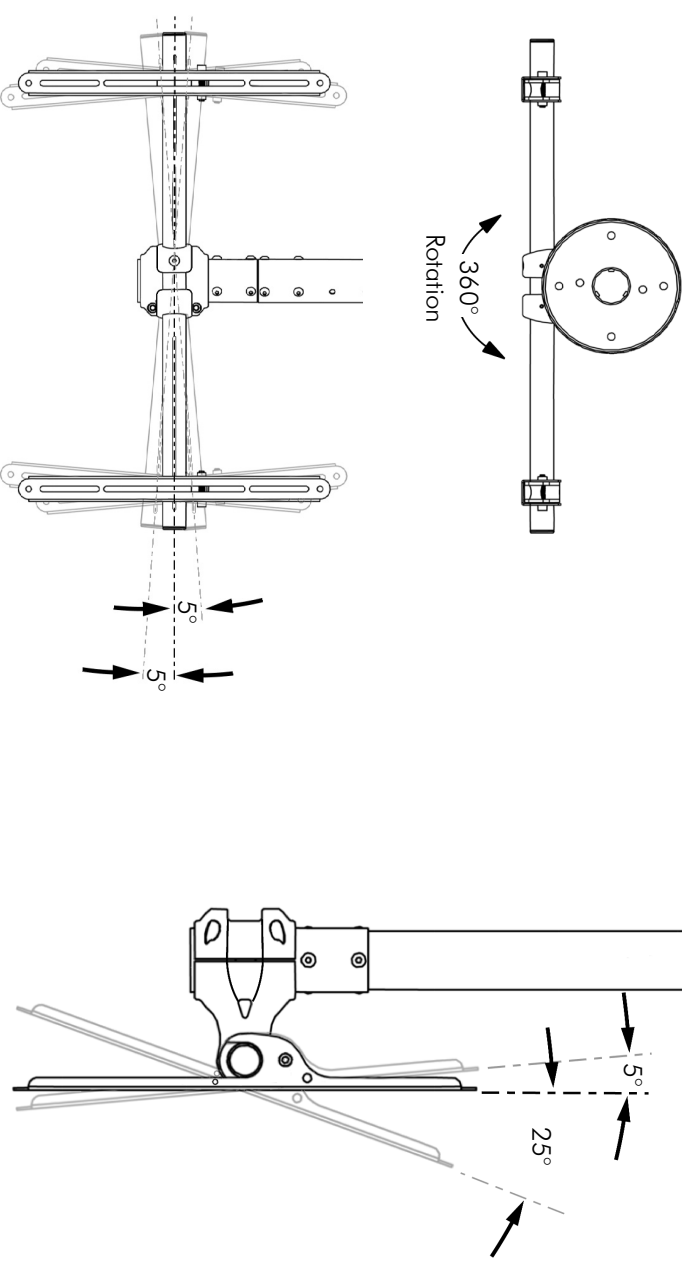
**A: 9x50mm (2") incremental positioning options.
B: 9x50mm (2") incremental positioning options.**

Option 4: 1650mm (65") - 2000mm (78³/₄")

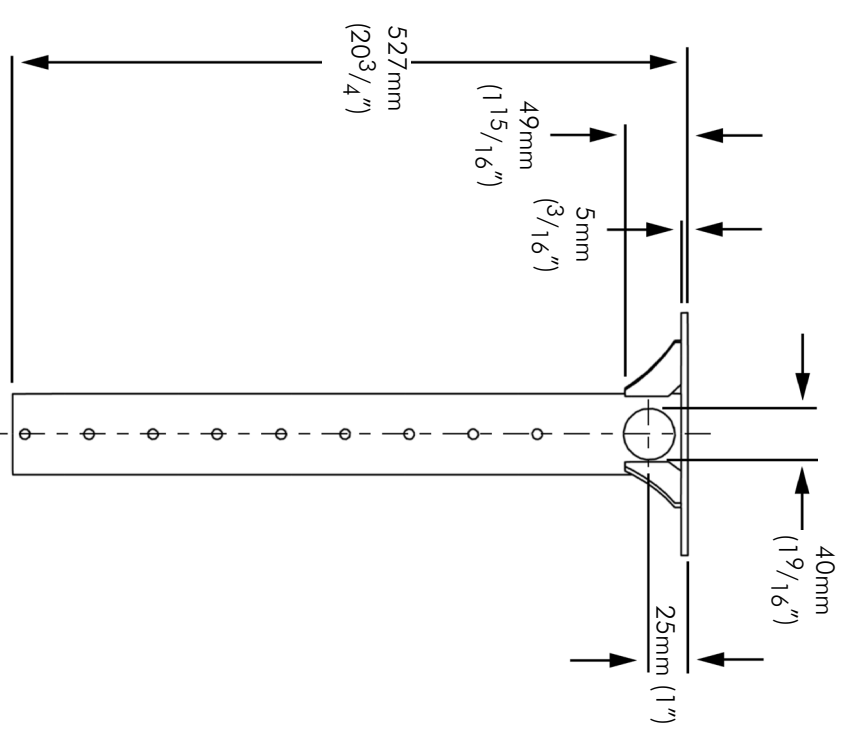


8x50mm (2") incremental positioning options.

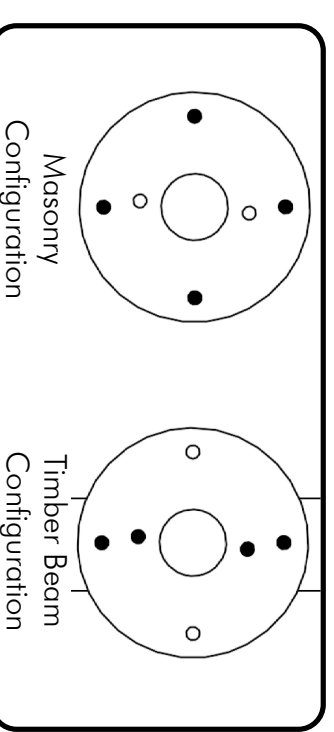
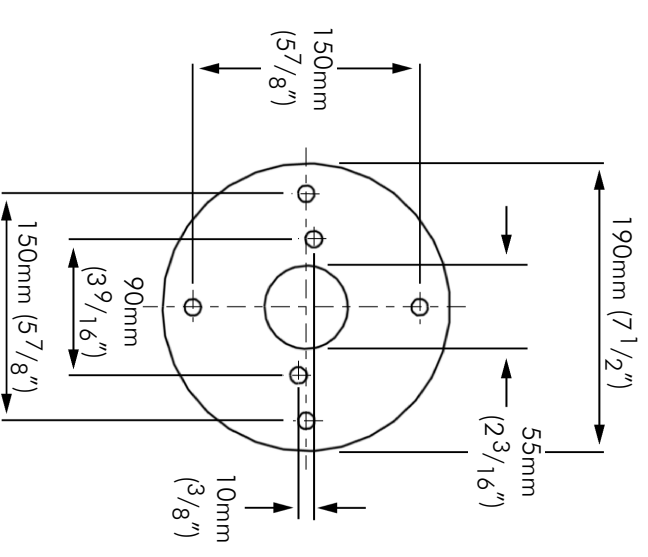
Range of Movement



Ceiling Mount



CEILING PLATE HOLE PATTERN



MOUNTING HOLE PATTERNS