

# Technical Specifications

# TELEHOOK<sup>TM</sup>

## 31-55 Swing Arm Wall Mount

### General Features

**MAXIMUM LOAD:** 60kg (132lbs)

**DISPLAY COMPATIBILITY:** When used in conjunction with Telehook 31-55 TW, the Telehook 31-55 Swing Arm is compatible with most VESA and non-VESA LCD and Plasma flat panel displays between 31" (78cm) and 55" (140cm).

**COLOUR:** Silver.

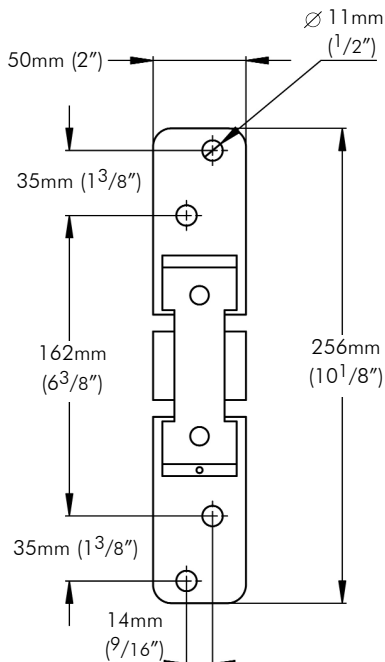
**FASTENERS:** All fasteners included.

**WARRANTY:** Limited 5 years. (Parts and workmanship)

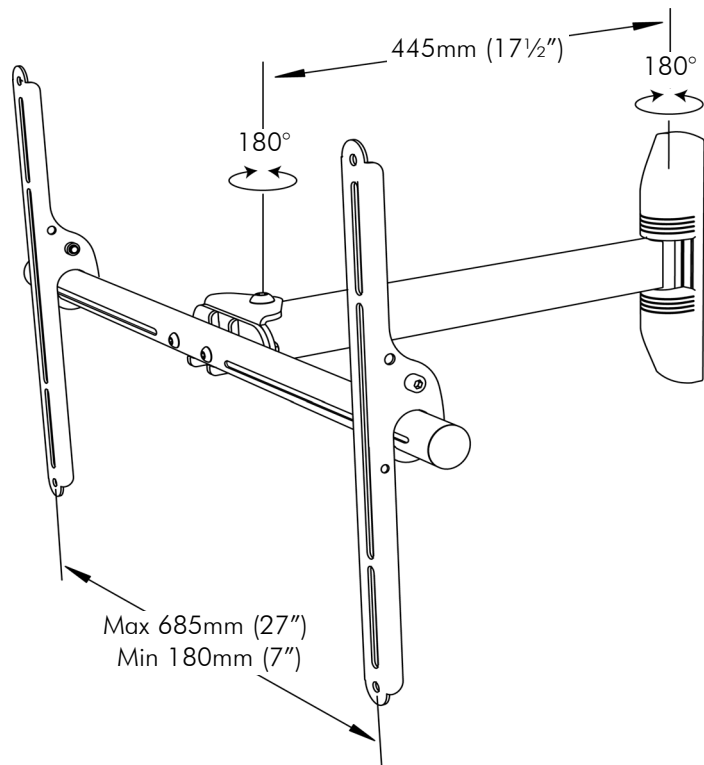
### Overall Dimensions

#### Mounting Bracket

- The Wall Bracket is to be installed vertically.
- The Wall Bracket can be mounted to either:
  - Timber Stud Wall, or
  - Masonry Wall

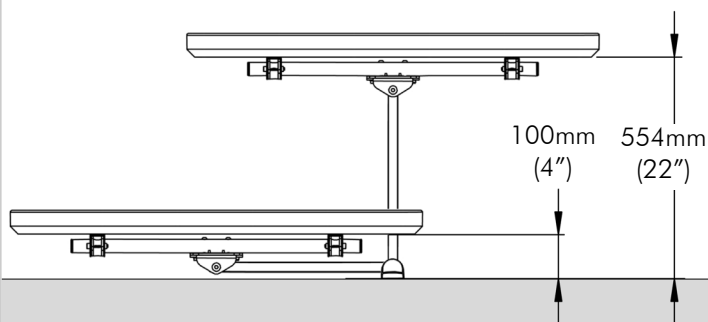


#### Swing Arm Range of Movement

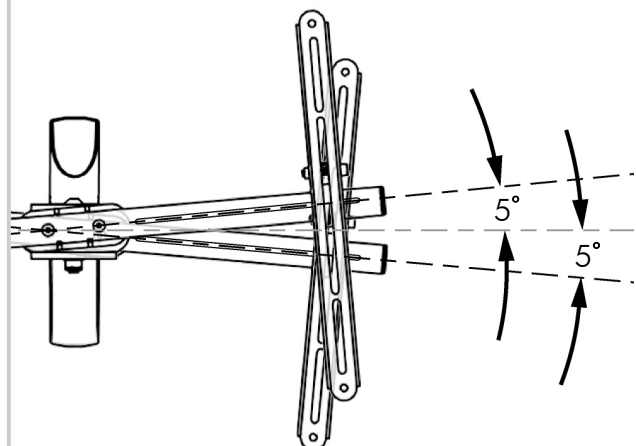


Note: Please refer to Telehook 31-55 TW Technical Specifications for more information on the product.

#### Distance from Wall



#### Horizontal Range of Movement



the visual display mounting company