

Technical Specifications

TELEHOOK[™]

12-30 Multi

General Features

Maximum Load: 18kg (39lbs)

Display Compatibility: Telehook 12-30 Multi is compatible with most LCD and Plasma Flat Panel Displays between 12" (30cm) and 30" (76cm) that use the VESA international mounting standard.

VESA Display Mounting Plates: Telehook 12-30 Multi comes with two separate VESA compliant mounting plates. These Plates accommodate the following mounting hole patterns: - 75mm x 75mm (3" x 3"), 100mm x 100mm (4" x 4") & 200mm x 100mm (8" x 4")

Product Configurations: Telehook 12-30 Multi is able to be assembled into three different configurations to suit a wide range of applications. These include an Articulated Arm configuration, a Swing Arm configuration and a Wall Mount configuration. (Each configuration is able to use either of the two VESA Display Mounting Plates)

Cable Management: Each unit includes 3 Push-In Clips for cable management.

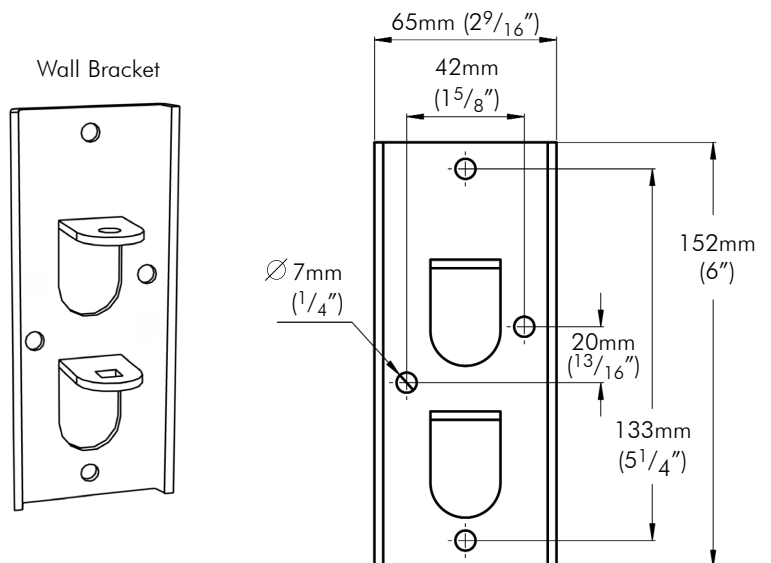
Colour: Silver

Fasteners: All fasteners included

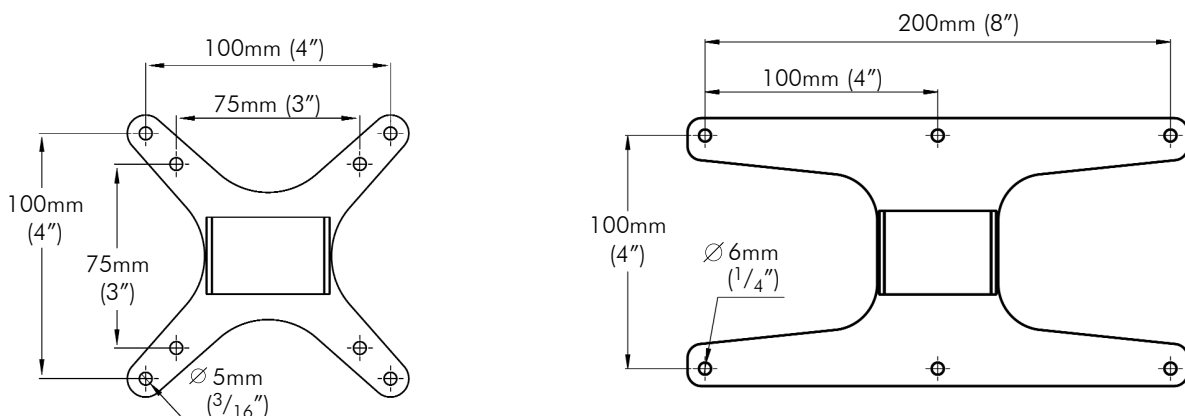
Warranty: 5 year limited

Mounting Options

- The Wall Bracket can be installed either horizontally or vertically depending on your application
- The Wall Bracket can be mounted to either;
 - Timber Stud Wall
 - Masonry Wall
- Coach Screws and Nylon Anchor Plugs are included with the product

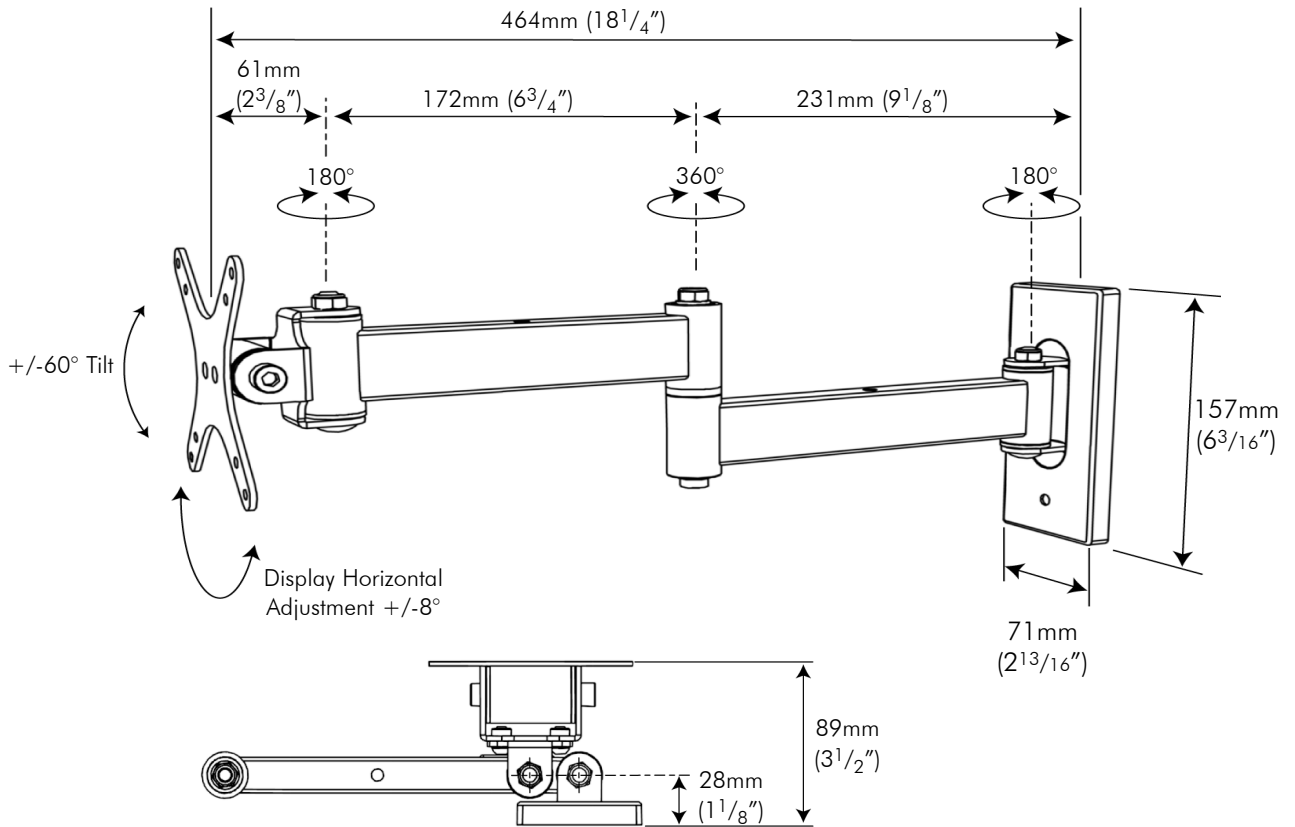


VESA Display Mounting Plates

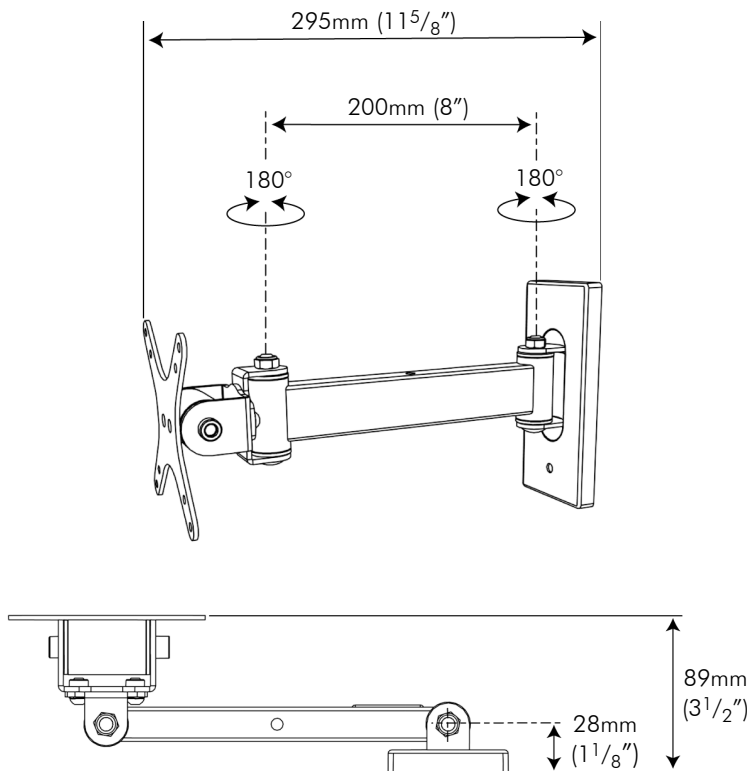


Overall Dimensions

Articulated Arm



Swing Arm



Wall Mount

