

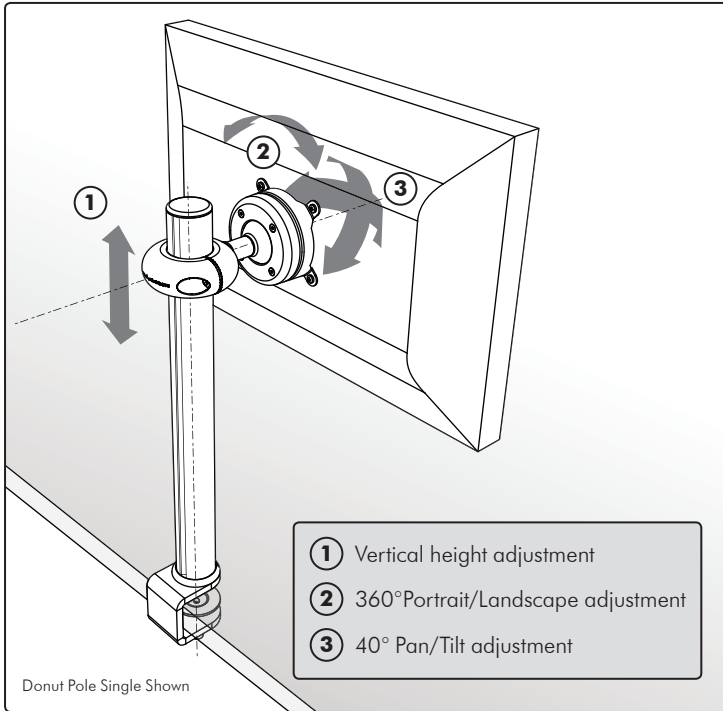
# Technical Specifications

# SPACEDEC

## DONUT POLE

Single / Double / Triple

### A General Features



#### Display Compatibility:

Spacedec Donut Pole is compatible with most Flat Panel Displays between 12" (30cm) and 24" (61cm) that feature either 75mm x 75mm (3 x 3") or 100mm x 100mm (4 x 4") VESA mounting hole patterns

#### Display Weight Compatibility:

- Each Donut Clamp Assembly supports a maximum weight of 11.5kg (25lbs)
- Donut Pole Single supports a total of 11.5kg (25lbs)
  - Donut Pole Double supports a total of 23kg (51lbs)
  - Donut Pole Triple supports a total of 34.5kg (76lbs)

#### Mounting Option:

Spacedec Donut Pole Single, Double and Triple includes Bolt Through and Desk Clamp mounting options

- Desk Clamp suits desktop thicknesses from 12mm (1/2") - 38mm (1 1/2")
- Bolt Through suits desktop thicknesses from 12mm (1/2") - 40mm (1 1/2")

#### Cable Management:

Cable Slot, Cable Clips and Cable Balls (included in package)

#### Colour Options:

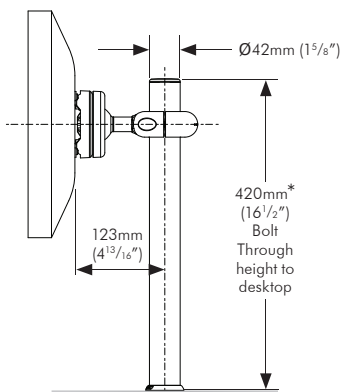
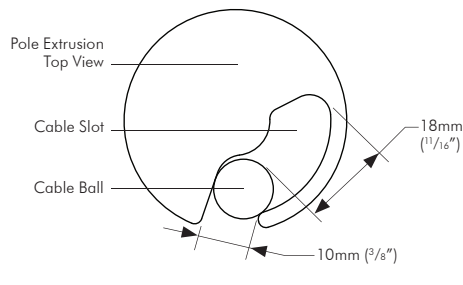
- Pole available in Matt Silver Anodised or Black Texture Powdercoat
- Donut available in Black only

#### Warranty:

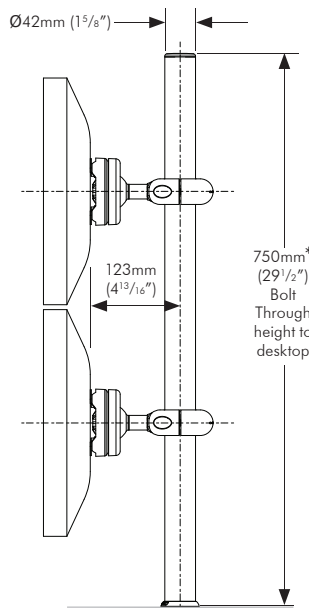
5 years limited

### B Overall Dimensions

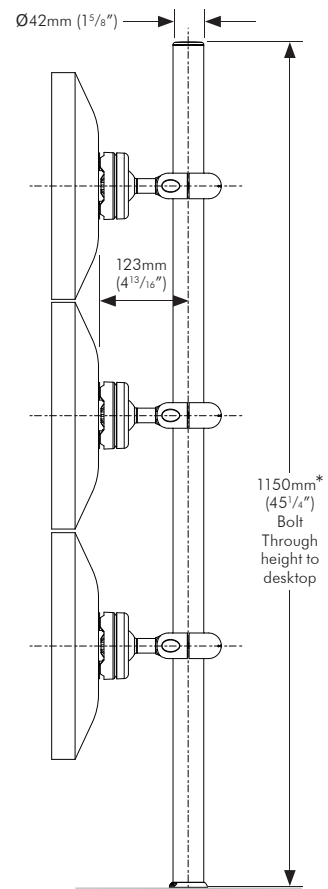
#### Cable Management Slot Detail



**DONUT POLE SINGLE**



**DONUT POLE DOUBLE**



**DONUT POLE TRIPLE**

\* The Desk Clamp mounting option increases the total height of Spacedec Donut Pole by 10mm (3/8")

