

Technical Specifications

SPACDEC

DISPLAY

Ceiling Mount Single & Back to Back

A General Features

Display Compatibility:

Suits display from 12" (30cm) to 24" (61cm)

Display weight Compatibilities:

Supports a maximum weight of 11.5 (25.3lbs) per Display.

Colour:

Black

Display Mounting Options:

Suits 75mm x 75mm (3" x 3") and 100mm x 100mm (4" x 4") Mounting Hole patterns.

Cable Management:

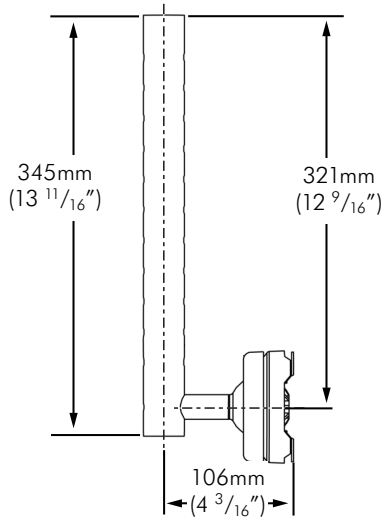
Internal and External Cable Management included.

Warranty:

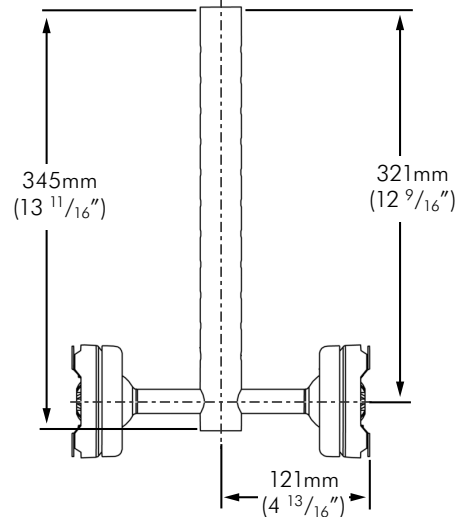
5 years limited

B Dimensions

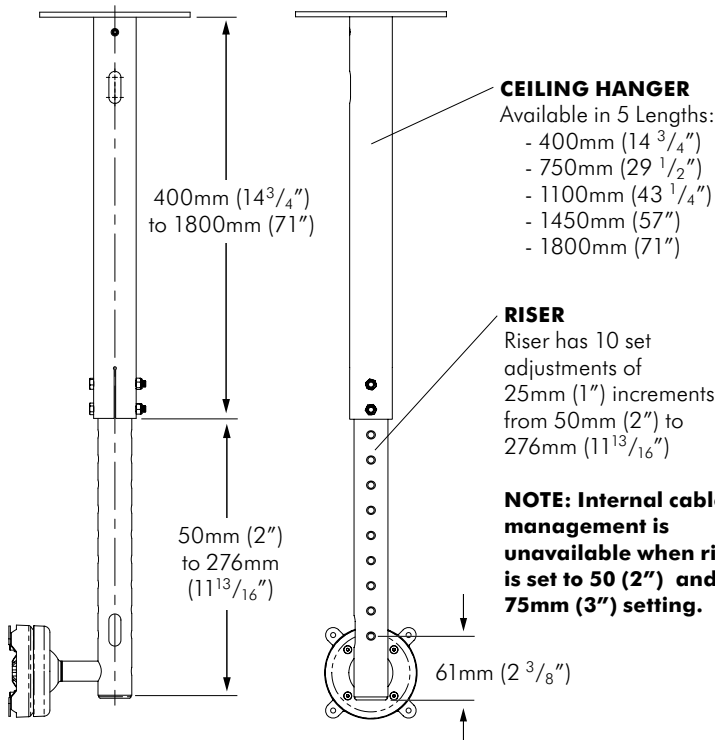
Single Ceiling Mount



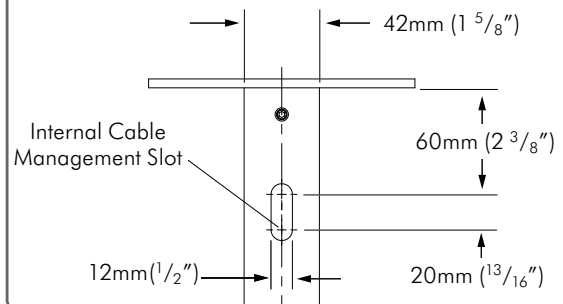
Back to Back Ceiling Mount



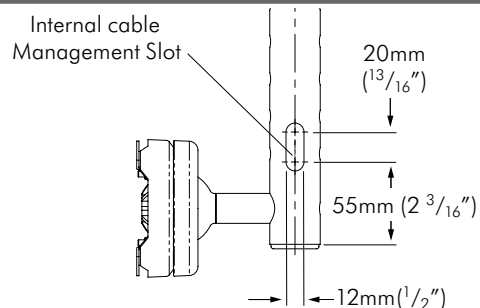
Hanger & Riser Details



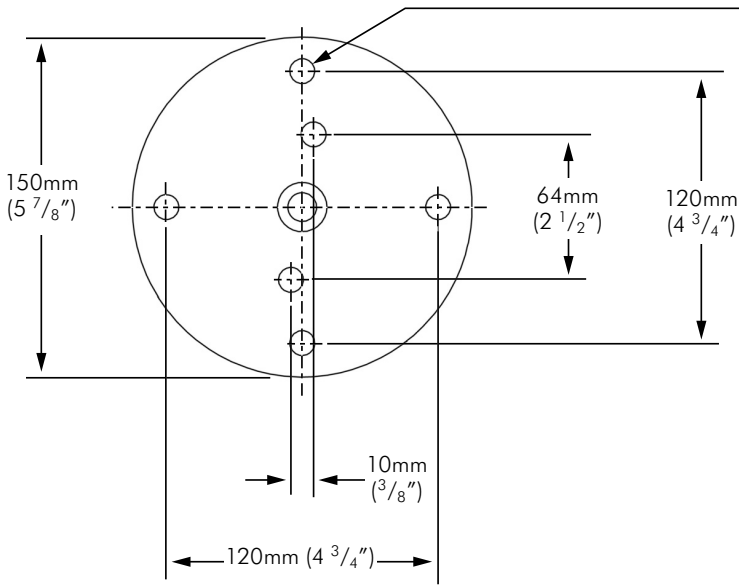
Hanger Internal Cable Manager Detail



Riser Internal Cable Manager Detail



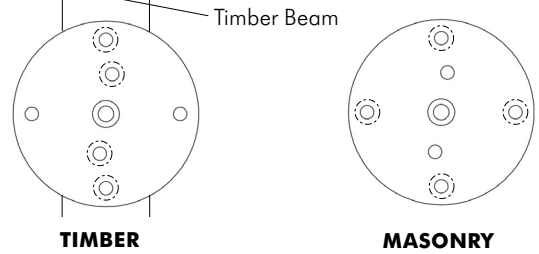
C Ceiling Plate Details



Timber and Masonry Mounting Holes suit supplied hardware:



Mounting Hole Configurations

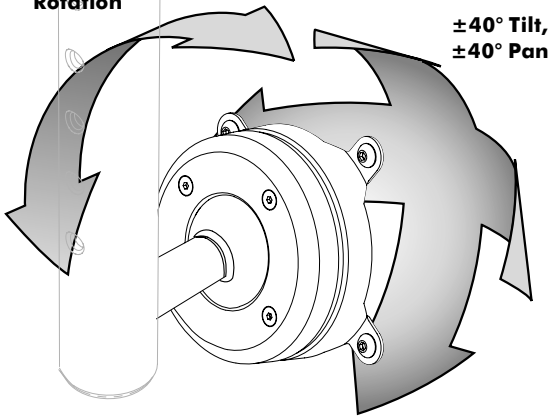


D Direct Mount Details

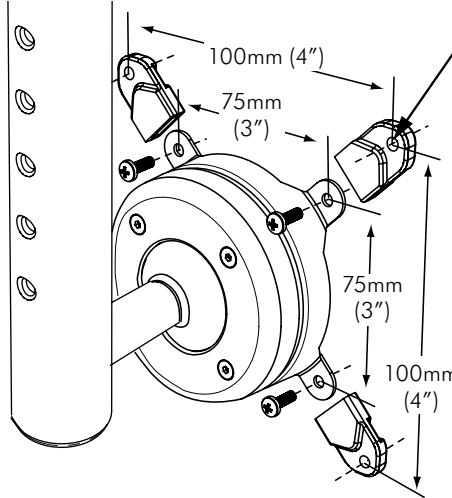
Maximum Load: 11.5kgs (25.3lbs)

Range of Movement

Portrait/Landscape Rotation



Mounting Hole Patterns



Mounting holes suit supplied hardware.

