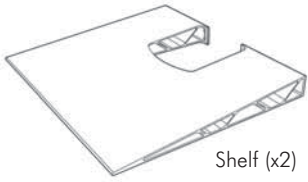


Installation Instructions

TELEHOOKTM

Cable Manager Shelf System

Component Checklist



Check you have received all parts against the Component Checklist

Bits Bag



IMPORTANT NOTES

- The Telehook Cable Manager Shelf System **MUST** be used in conjunction with the Telehook Cable Manager.
- Each Telehook Cable Manager is limited to a maximum of 4 Shelves.
- Each Shelf supports a maximum weight of 20kgs (44lbs).
- If you wish to paint your Cable Manager Shelves, please consult your paint specialist for advice.

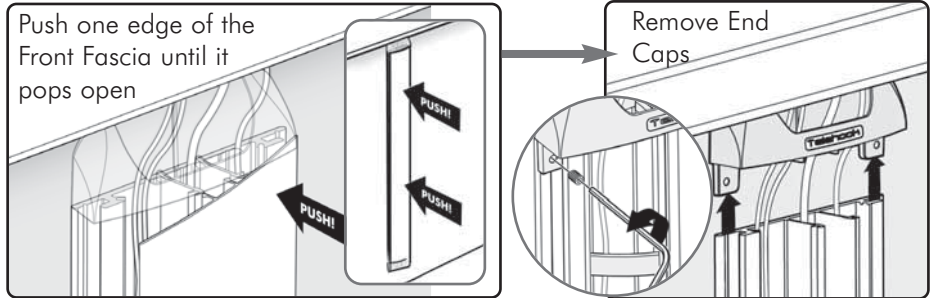
A Installation Options

If your display is already wall mounted, depending on its position, it may be best to remove the display, as it may interfere with the installation of the Telehook Cable Manager and Cable Manager Shelf System.

Option 1

If you already have the Telehook Cable Manager installed.

Begin by removing the Front Fascia and the End Caps as shown. Once complete, continue to step B below.



OR

Option 2

If you are installing both the Telehook Cable Manager and Telehook Cable Manager Shelf System at the same time.

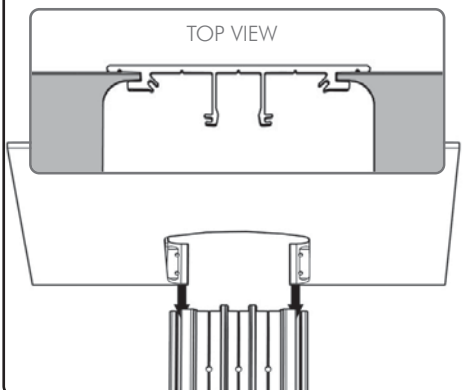
Begin by mounting the Wall Plate as shown in step A on the Telehook Cable Manager Installation Instructions. Once complete, continue to step B below.

Note:
If the mounted height of the display is less than the length of the Telehook Cable Manager, you may need to reduce the length by cutting it to size.
(Consult a professional at this stage)

B Installing Telehook Cable Manager Shelves

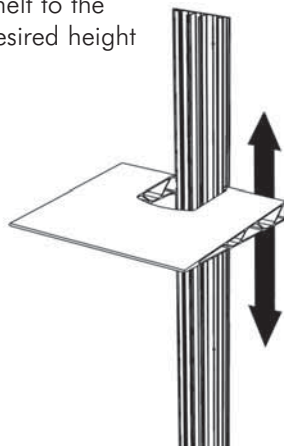
B.1.

Slide the Cable Manager Shelf onto the Cable Manager Wall Mount



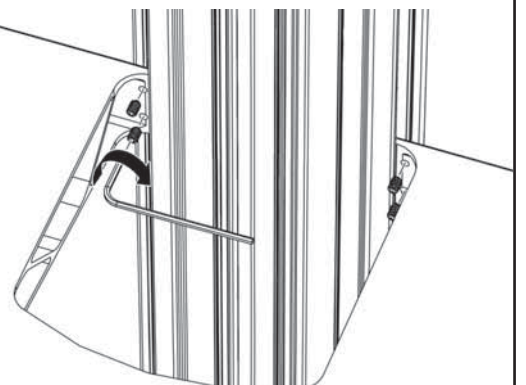
B.2.

Adjust the Cable Manager Shelf to the desired height



B.3.

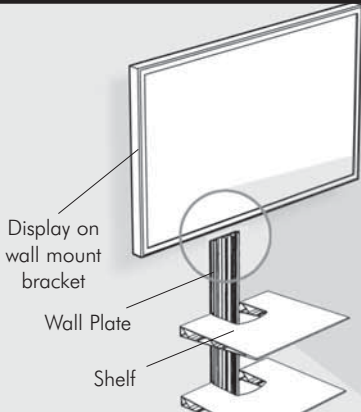
Secure in place using the M4 Grub Screws and the 2mm Allen Key supplied



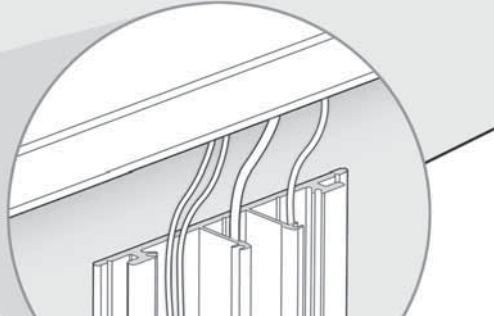
C Install your Equipment

- Install or reinstall your display
- Place your Audio/Video equipment on the Telehook Cable Manager Shelves
- Connect all required cables to Audio/Video equipment

D Installing Cables

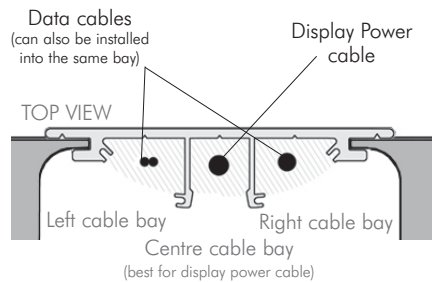


Install the display's cables into the left, right and centre cable bays as shown

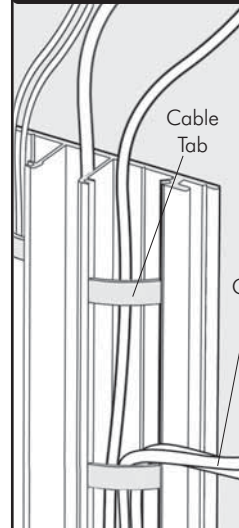


NOTE:

If possible, separate the display's power cable from the data cables (i.e. hi-fi & speaker cables) by installing them into separate cable bays. This will reduce the chance of electromagnetic interference. The diagram to the right shows an example installation setup.



E Insert Cable Clips



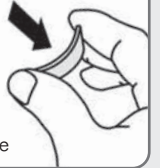
Insert the Cable Tabs into the Wall Plate to Secure Cables in place.

If required, cables can exit from the side of the Cable Manager. In this case, use the left or right cable bays only.

Cables exiting from the side

E.1.

Using your thumb and index finger, flex the Cable Tab into a concave shape

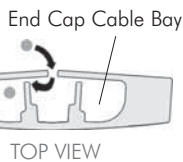
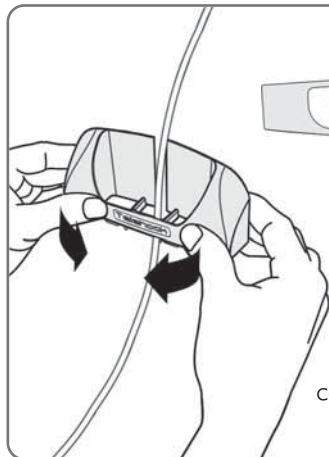


E.2.

Twist the Cable Tabs into the small slots in the Wall Plate



F Attach End Caps



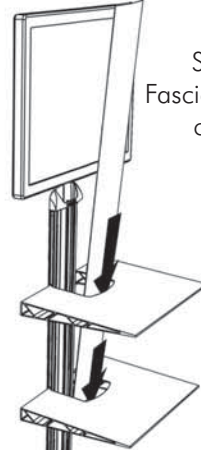
Using two hands, flex the End Cap around the display's cables and manoeuvre them into their corresponding End Cap Cable Bay

Attach an End Cap onto both ends of the Wall Plate and secure in place using the M4 Grub Screws as shown.

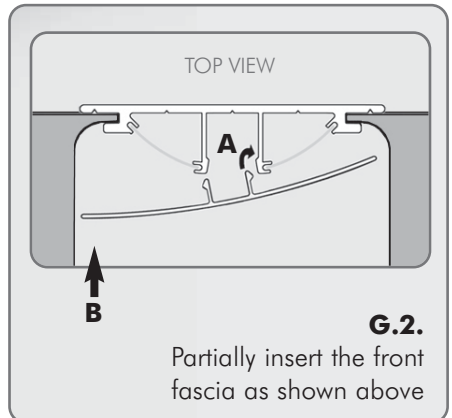
M4 Grub Screw
2mm Allen Key

WARNING: DO NOT OVER TIGHTEN

G Insert Front Fascia

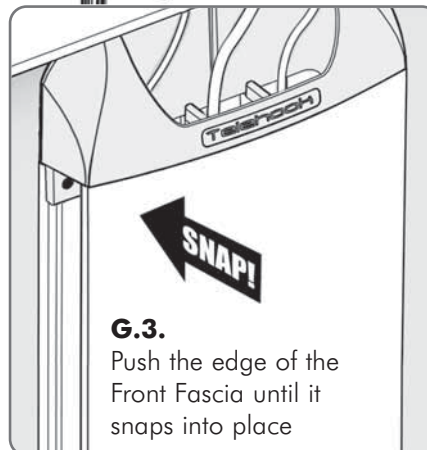


G.1. Slide the Front Fascia through the cut outs in the Shelves



G.2.

Partially insert the front fascia as shown above



G.3.

Push the edge of the Front Fascia until it snaps into place

G.4.

Repeat G.3. down the length of the Front Fascia until it is firmly secured onto the Wall Plate



Installation Complete