

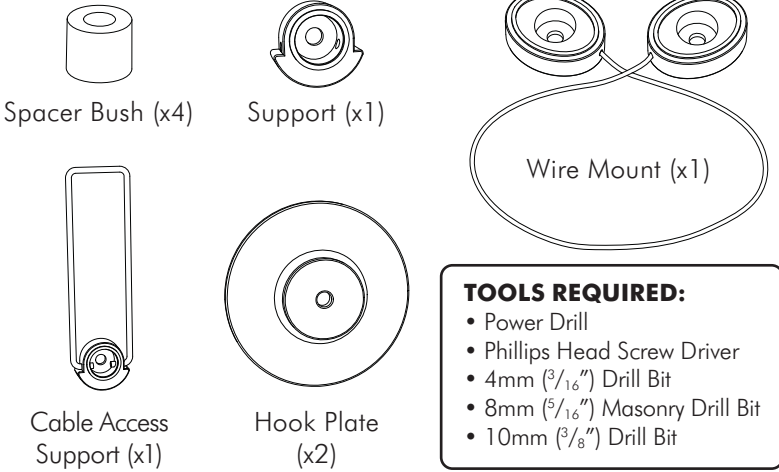
Installation Instructions

telehook

LED Slim Wall Mount

Note: This product is suitable for LED/LCD displays with VESA mounting hole configurations 400mm (16") wide, supporting a maximum weight of 50 kg (110 lbs).

Component Checklist



- TOOLS REQUIRED:**
- Power Drill
 - Phillips Head Screw Driver
 - 4mm (5/16") Drill Bit
 - 8mm (5/16") Masonry Drill Bit
 - 10mm (3/8") Drill Bit

Hardware

	M6 Washer (x2)		Nylon Anchor (x2)
	M8 Washer (x4)		Dry Wall Anchor (x2)
	M8 Spring Washer (x4)		Wall Mount Screw (x2)

Mounting Fasteners

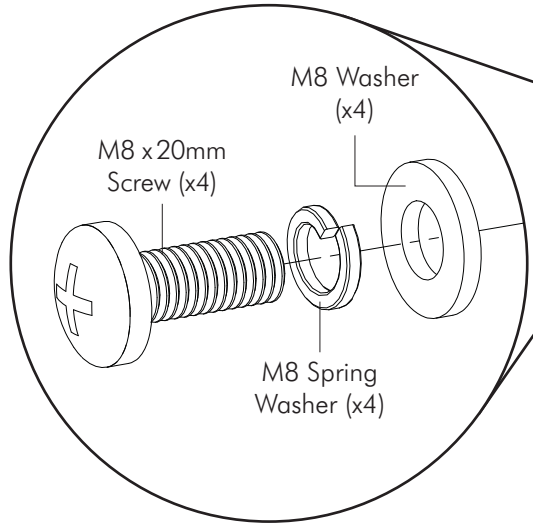
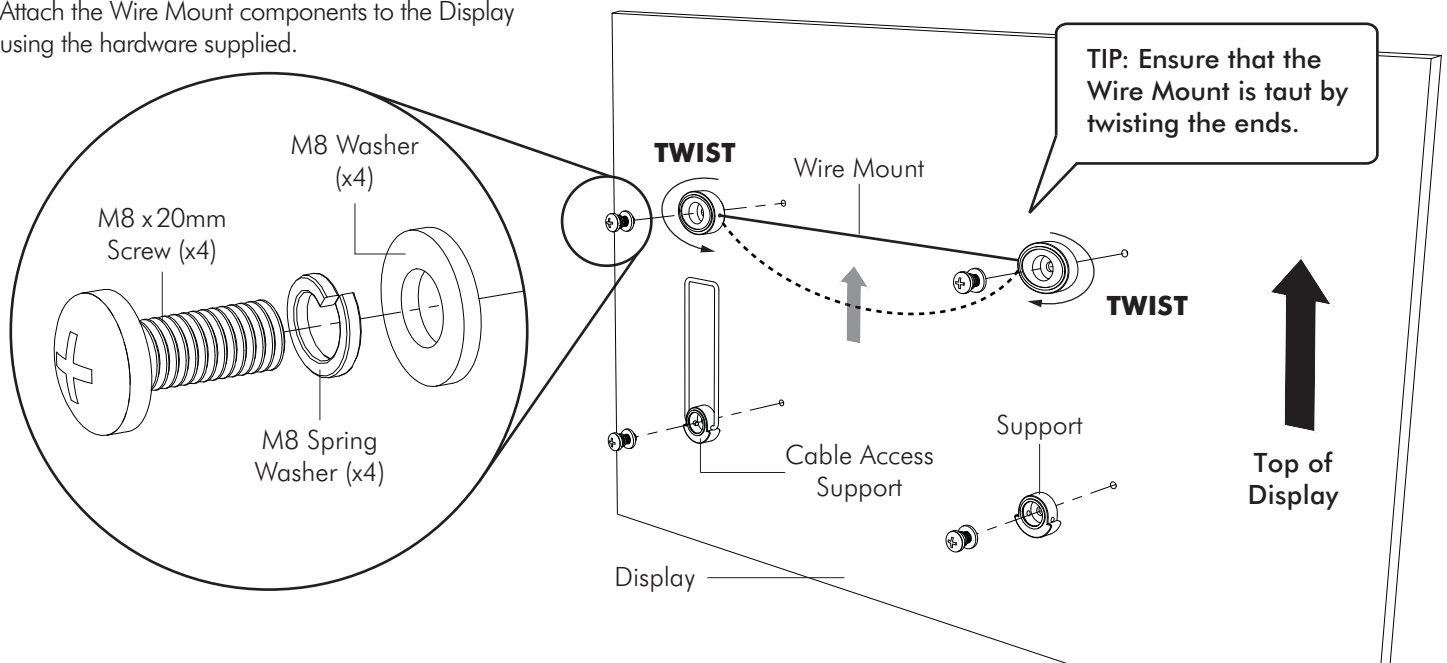
	M8 x 20mm Screw (x4)		M8 x 40mm Screw (x4)
--	----------------------	--	----------------------

Step 1. Component Checklist

Check you have received all parts against the Component Checklist above.

Step 2. Attach Wire Mount to the Display

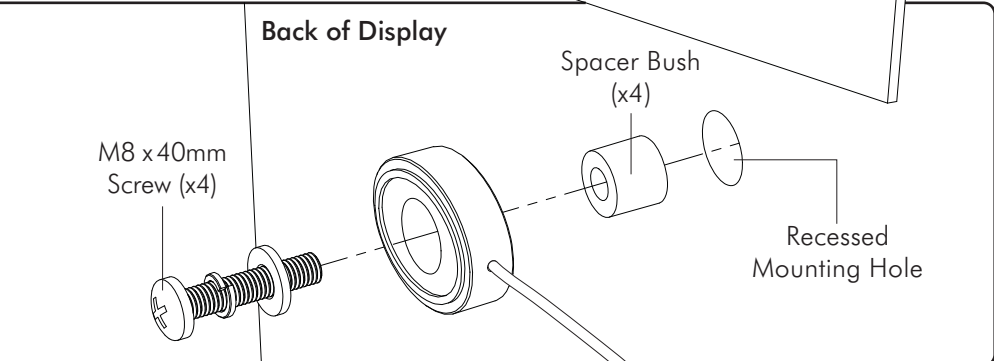
Attach the Wire Mount components to the Display using the hardware supplied.



Recessed Mounting Holes or Display with a Curved Rear Panel

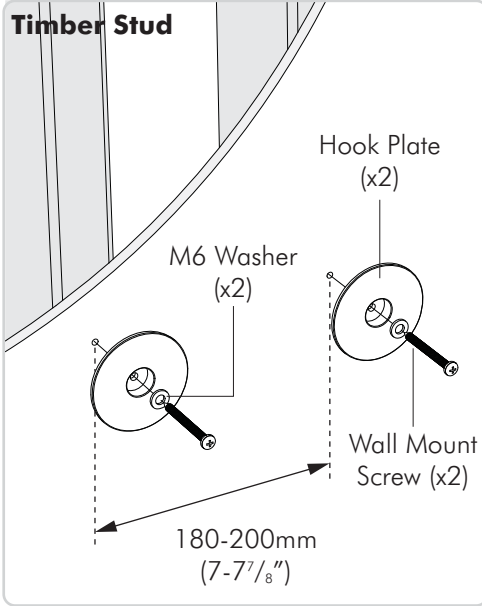
If the Mounting Holes are recessed into the back of the Display, or the Display has a curved rear panel, use the Spacer Bushes supplied to pack the Mounting Holes.

NOTE: Use the longer Mounting Fasteners (M8 x 40mm) supplied.

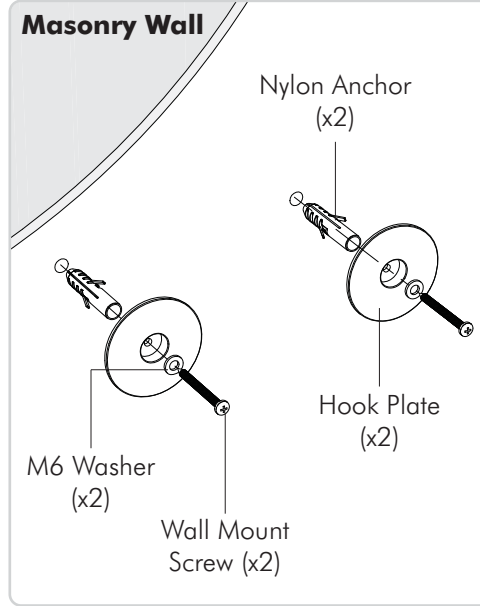


Step 3. Mount the Hook Plates on the Wall

Choose from one of the following Mounting options (see below), **Timber Stud**, **Masonry Wall**, or **Dry Wall**. Fasten the Hook Plates 180-200mm (7-7⁷/₈") apart, using the appropriate Mounting Hardware supplied to suit the type of wall.



Drill two holes 50mm deep using a 4mm drill bit.



Drill two holes 50mm deep using an 8mm Masonry drill bit.

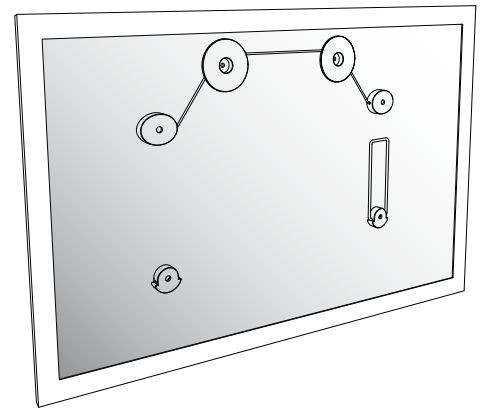
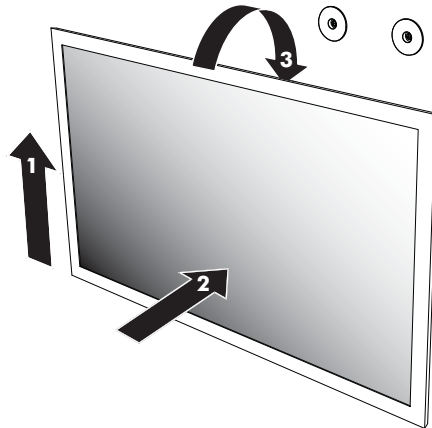


Drill two holes 60mm deep using a 10mm drill bit.

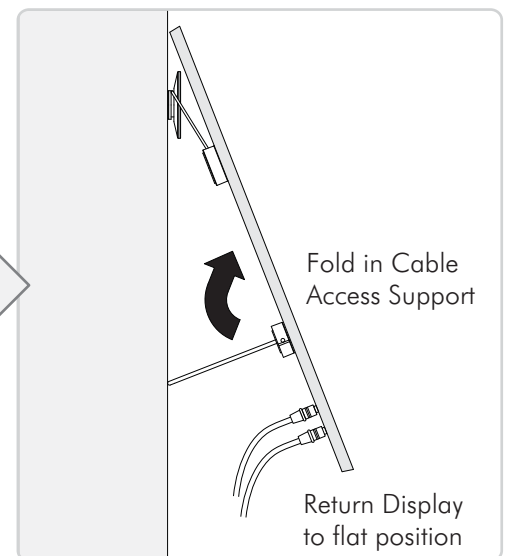
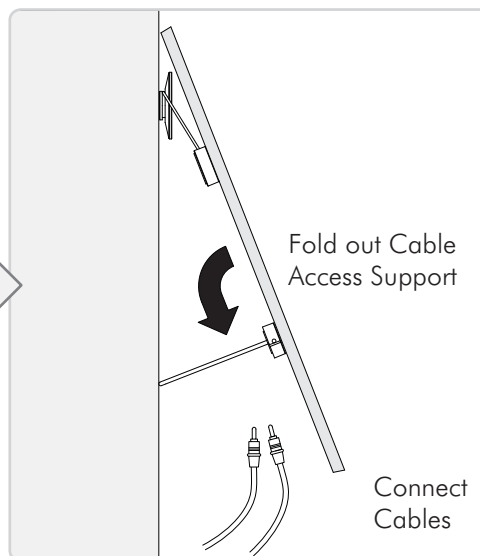
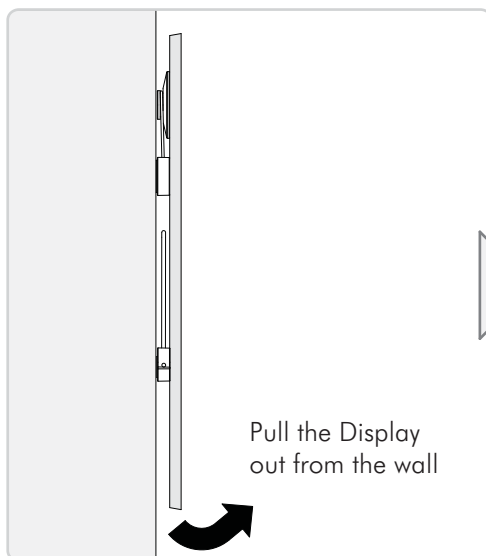
Step 4. Hang the Display on the Wall

(2 people required)

1. Lift the Display so that the Wire Mount is above the Hook Plates.
2. Push the Display in, so that it touches the wall.
3. Gradually lower the Display until it is hanging from the Hook Plates.



Step 5. Cable Access



Installation Complete

