

Technical Specifications



Flat Screen Wall Mount | Swing Arm

General Features

MAXIMUM LOAD: 65kg (143lbs)

DISPLAY COMPATIBILITY: Compatible with most VESA & non-VESA LCD/Plasma Flat screens with mounting hole configurations:

From 180mm to 685mm (7" to 27") Wide;

From 100mm to 430mm (4" to 17") High.

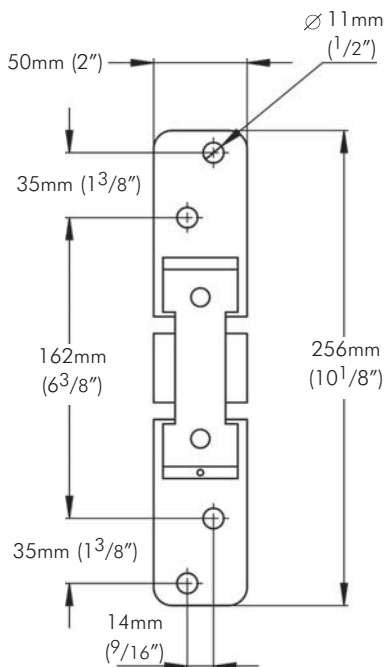
FASTENERS: All fasteners included.

WARRANTY: Limited 5 years. (Parts and workmanship)

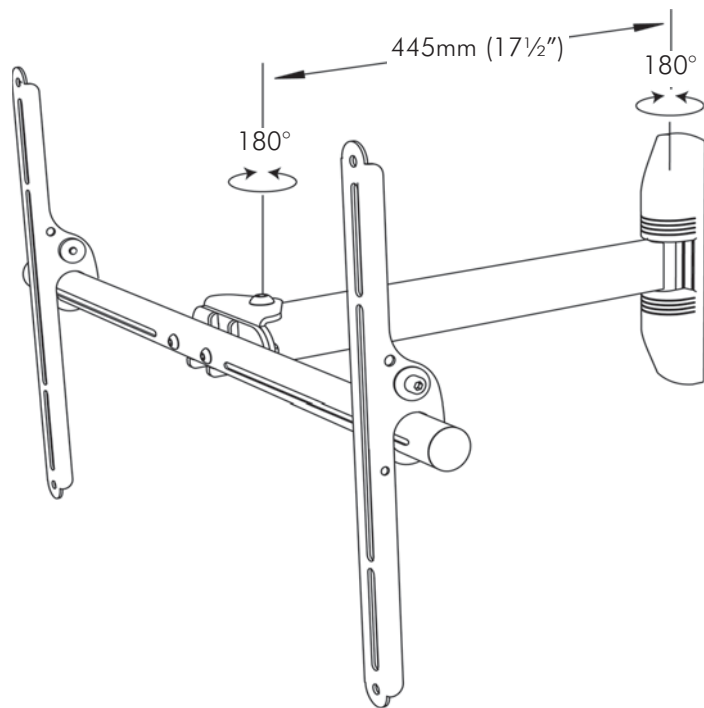
Dimensions

Mounting Bracket

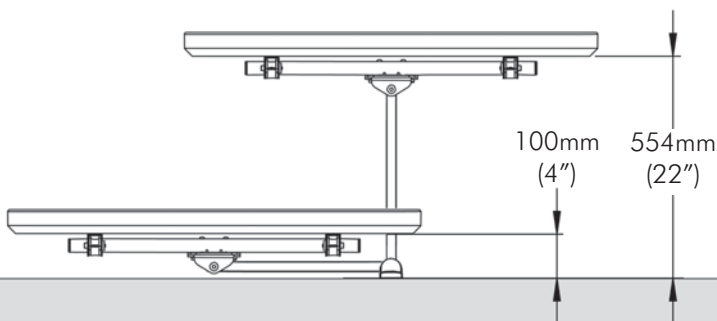
- The Wall Bracket is to be installed vertically.
- The Wall Bracket can be mounted to either:
 - Timber Stud Wall, or
 - Masonry Wall



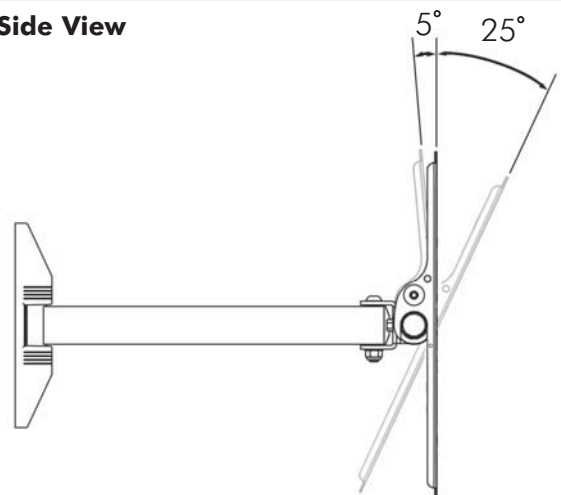
Swing Arm Range of Movement



Distance from Wall

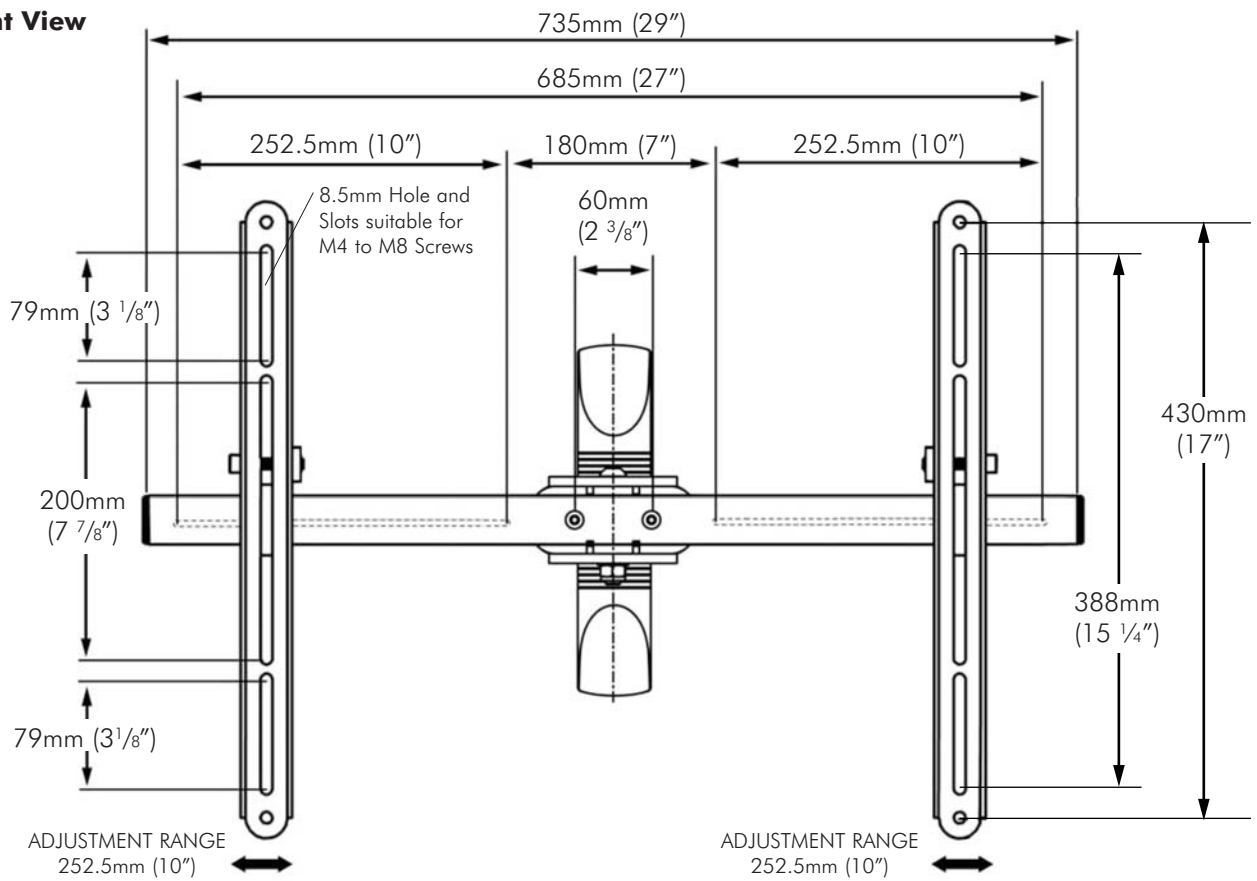


Side View



Dimensions (continued)

Front View



Horizontal Range of Movement

