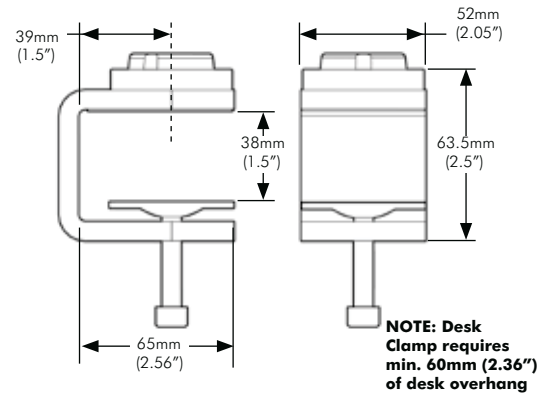


E Desk Mounting Options

Desk Clamp

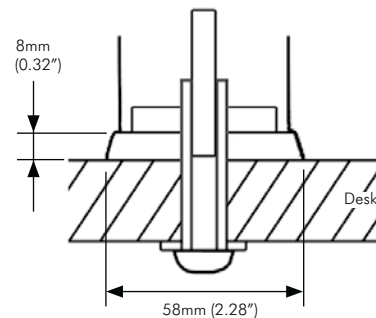
Suits desk thicknesses of **12mm to 38mm (0.5" to 1.5")**



NOTE: Desk Clamp requires min. 60mm (2.36") of desk overhang

Bolt Through

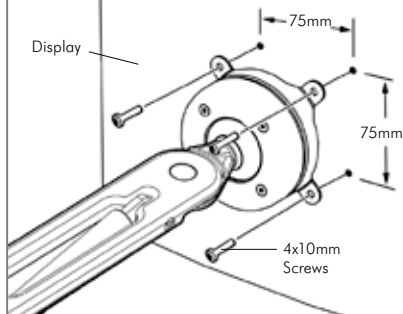
Suits desk thicknesses of **12mm to 40mm (0.5" to 1.5")**



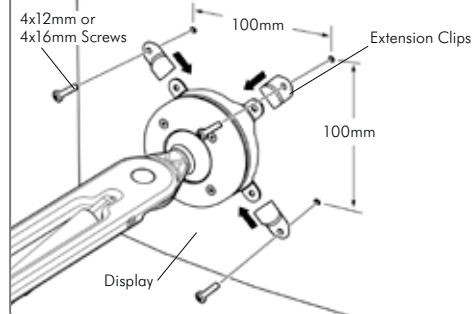
F Display Mounting Options

Suits 75mm x 75mm and 100mm x 100mm mounting hole patterns.

75mm x 75mm mounting hole pattern

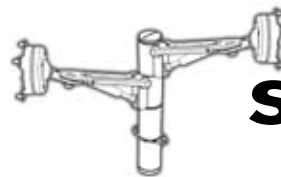
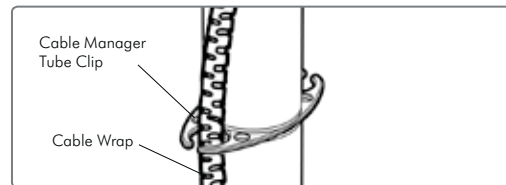
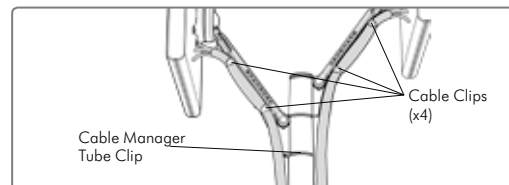


100mm x 100mm mounting hole pattern



G Cable Management

All Spacedec Acrobat Swing Arm Doubles are supplied with 2 x 650mm (25.5") of Ø16mm (0.63") black Cable Wrap



Technical Specifications

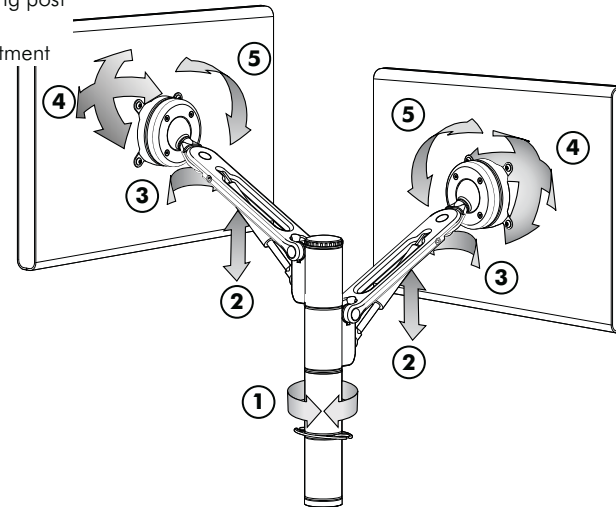
SPACEDEC ACROBAT

SWING ARM DOUBLE

NOTE: The following information is based on a Spacedec Acrobat Swing Arm Double with the standard 350mm (13.75") arm set at the 6kg (13lbs) gas strut setting.

A General Features

- ① Arms swing 360° around mounting post
- ② Up to 460mm (18") height adjustment
- ③ Pivot head pans 85°
- ④ ±40° tilt, ±40° pan
- ⑤ Portrait/Landscape rotation



Display Compatibility:

Spacedec Acrobat is compatible with most LCD displays that use the VESA international mounting standard. Please refer to the VESA Compliance List on the Atdec website to view all compatible LCD models (atdec.com)

Display Weight Compatibility:

Each Arm supports 3kg to 9kg (6.6lbs to 19.8lbs)

Desk Mounting Options:

Bolt Through (included in package) - Suits desktop thicknesses of 12mm to 40mm (0.5" to 1.5")
 Desk Clamp (included in package) - Suits desktop thicknesses of 12mm to 38mm (0.5" to 1.5")

Display Mounting Options:

Suits 75mm x 75mm and 100mm x 100mm mounting hole patterns.

Cable Management:

Cable Wrap Manager Clip, Cable Clips and Cable Wrap (included in package)

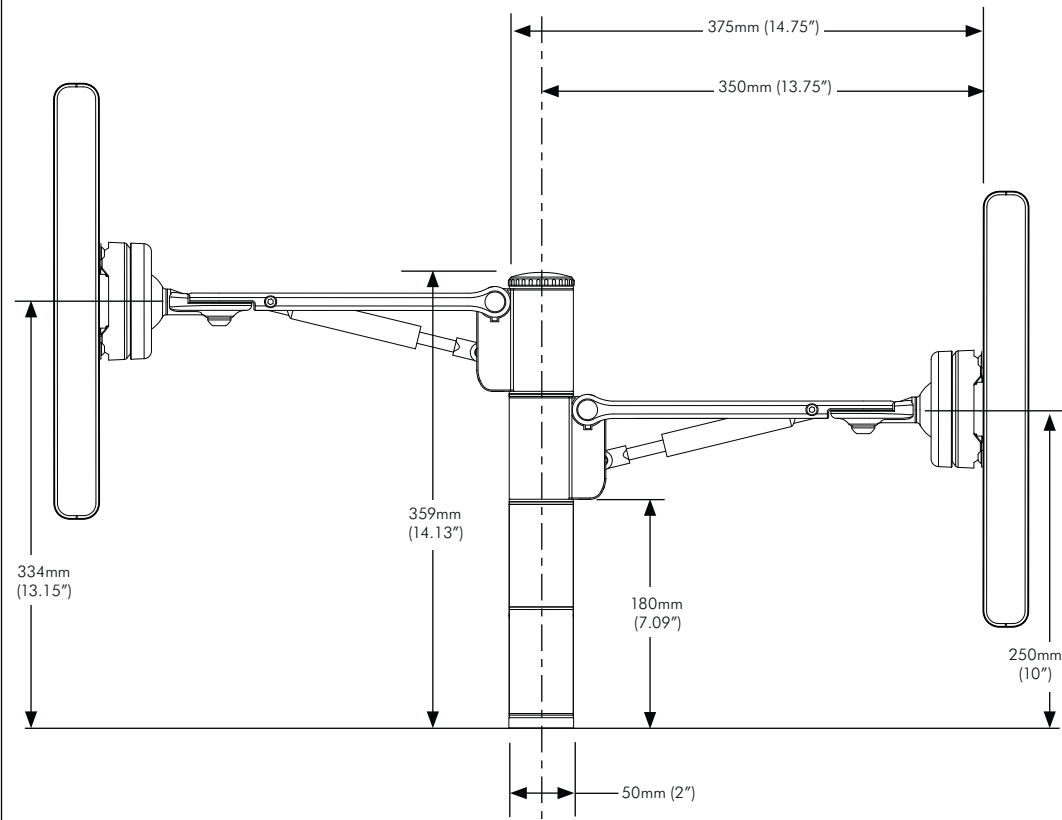
Colours:

Polished Aluminum, Silver or Black

Warranty:

5 years limited

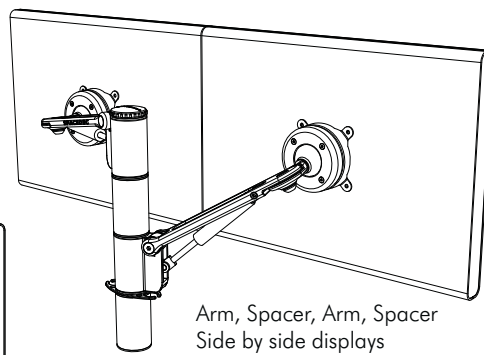
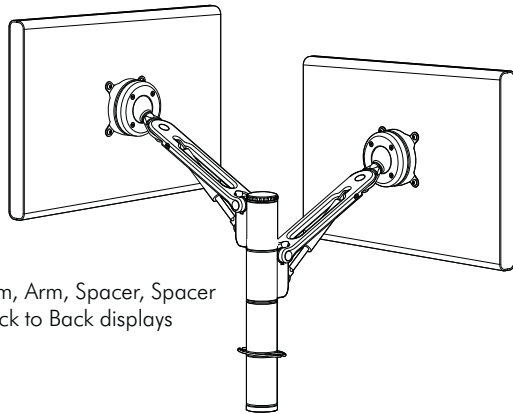
B Overall Dimensions



C Possible Configurations

Spacedec Acrobat Swing Arm Double can be assembled in a number of different configurations depending on the users requirements.

Two such examples are shown below and right.



NOTE: When using the side by side configuration, the maximum display width is 515mm (20.28").

D Range of Movement

