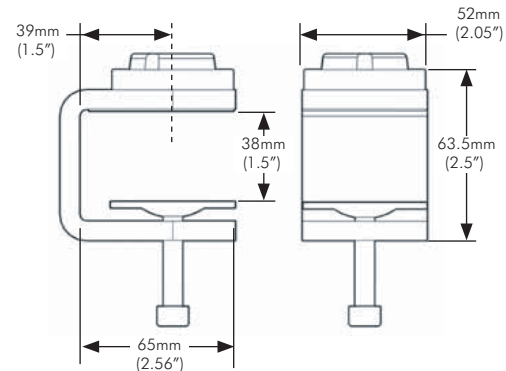


## D Desk Mounting Options

### Desk Clamp

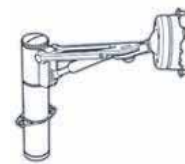
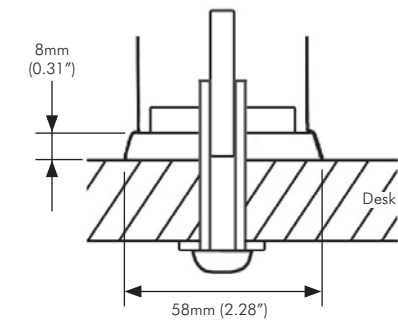
Suits desk thicknesses of 12mm to 38mm (0.5" to 1.5")



**NOTE:** Desk Clamp requires min. 60mm (2.36") of desk overhang

### Bolt Through

Suits desk thicknesses of 12mm to 40mm (0.5" to 1.5")



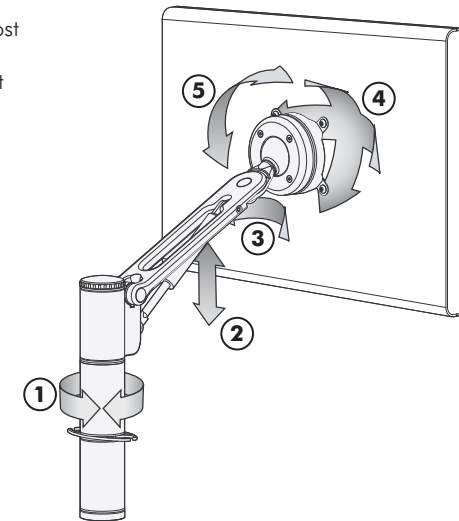
# Technical Specifications SPACEDEC ACROBAT

SWING ARM

**NOTE:** The following information is based on a Spacedec Acrobat Swing Arm with the standard 350mm arm set at the 6kg gas strut setting.  
For technical information regarding Spacedec Acrobat's optional extras please refer to "Technical Specification Spacedec Acrobat Optional Extras" at [atdec.com](http://atdec.com)

## A General Features

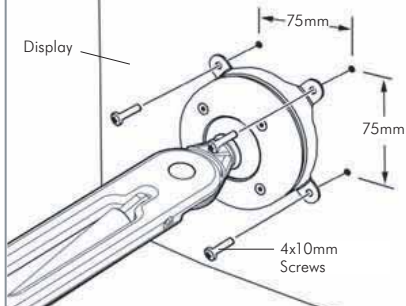
- 1 Arm swings 360° around mounting post
- 2 Up to 460mm (18") height adjustment
- 3 Pivot head pans 85°
- 4 ±40° tilt, ±40° pan
- 5 Portrait/Landscape rotation



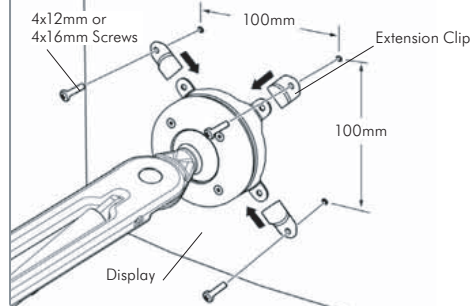
## E Display Mounting Options

Suits 75mm x 75mm and 100mm x 100mm mounting hole patterns.

### 75mm x 75mm mounting hole pattern

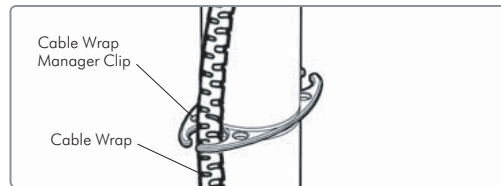
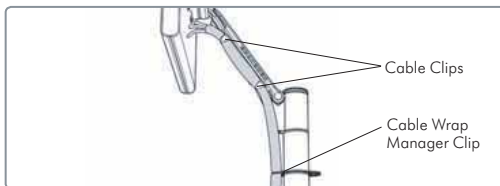


### 100mm x 100mm mounting hole pattern



## F Cable Management

All Spacedec Acrobat Swing Arms are supplied with 650mm (25.5") of Ø16mm (0.63") black Cable Wrap.



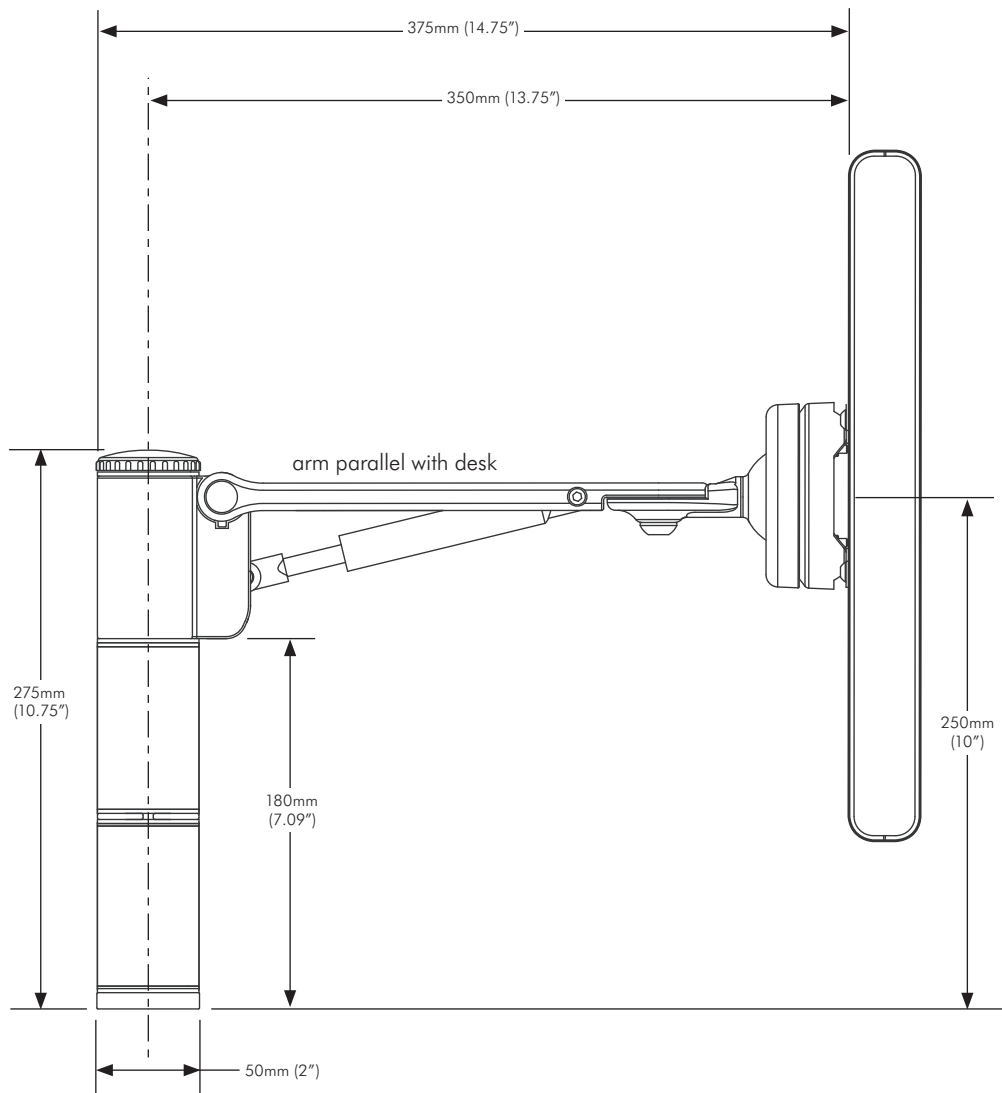
### Colours:

Polished Aluminum, Silver or Black

### Warranty:

5 years limited

## B Overall Dimensions



## C Range of Movement

