

# Installation Instructions

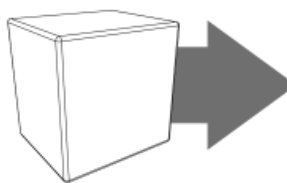
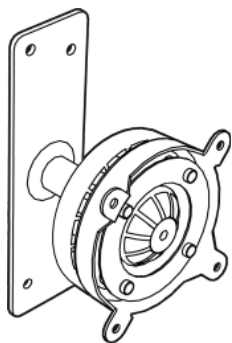
# SPACEDEC

DISPLAY  
Direct Wall

**Note:** This product will suit VESA compliant monitors with 75mmx75mm (3"x3") & 100mmx100mm (4"x4") hole patterns only. It will support up to a maximum weight of 11.5kg (25lbs).

## Component Checklist

Wall Mount Assembly (x1)



### Bits Box



M6 Coach Screws (x4)



2.5mm Allen Key (x1)



Washers (x4)



Extension Clip (x4)



S8 Nylon Anchor (x4)



10mm Screws (x4)

### Mounting Fasteners



M4x10mm Screw (x4)



M4x12mm Screw (x4)



M4x16mm Screw (x4)

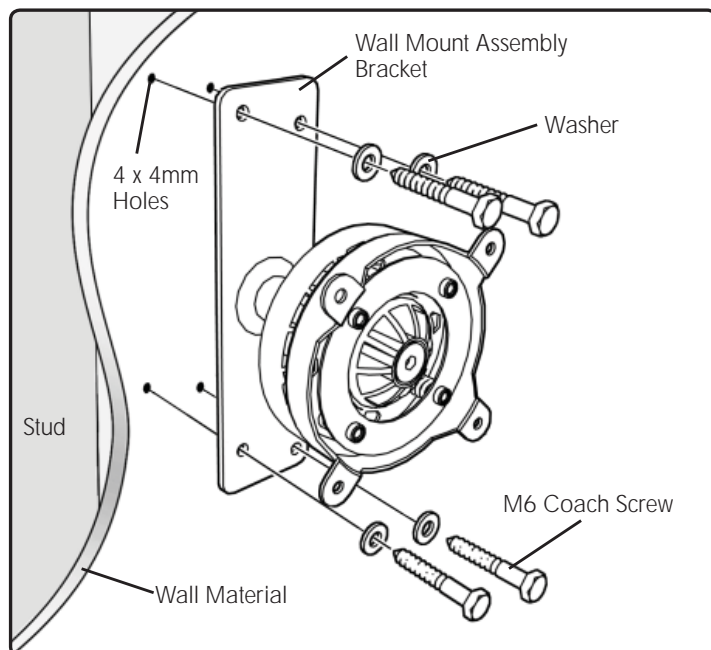
## A Component Checklist

Check you have received all parts against the Component Checklist above.

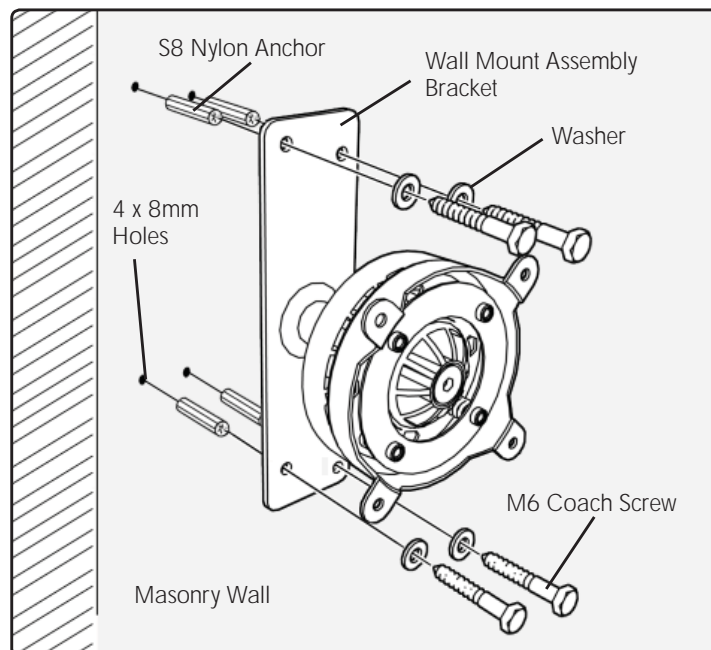
## B Installing Wall Mount Assembly

**B.1. For mounting Spacedec to a timber stud wall** - Using the Wall Mount Assembly's Bracket, mark the location of the 4 holes and drill using a 4mm drill bit. Secure the bracket to the wall using the M6 Coach Screws and Washers as shown in diagram B.1.1.

**B.2. For mounting Spacedec to a masonry wall** - Using the Wall Mount Assembly's Bracket, mark the location of the 4 holes and drill using an 8mm masonry drill bit. Secure the bracket to the wall using the M6 Coach Screws, Washers and S8 Nylon Plugs as shown in diagram B.2.1.



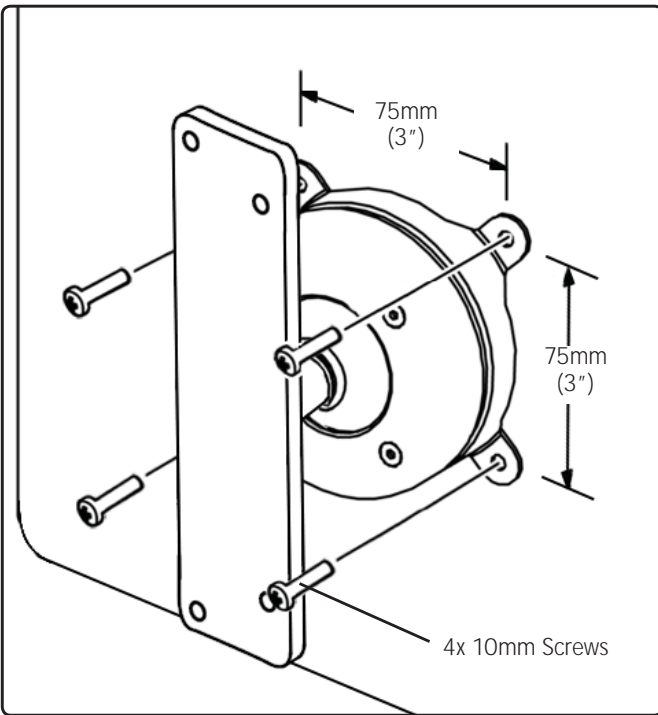
B.1.1.



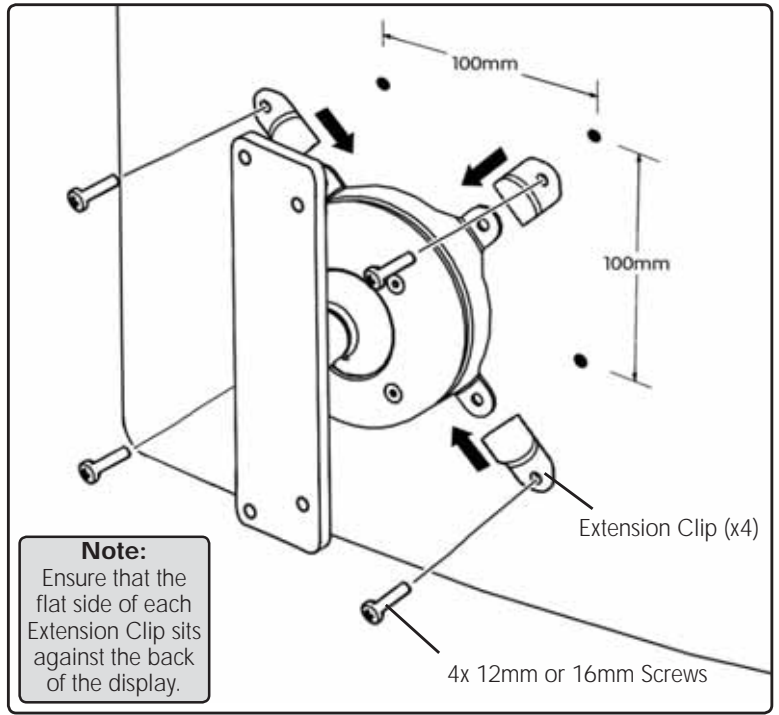
B.2.1.

## © VESA Screen Mounting Options

Fitting a Display to the Wall Mount Assembly.



75mm(3") x 75mm(3") hole pattern

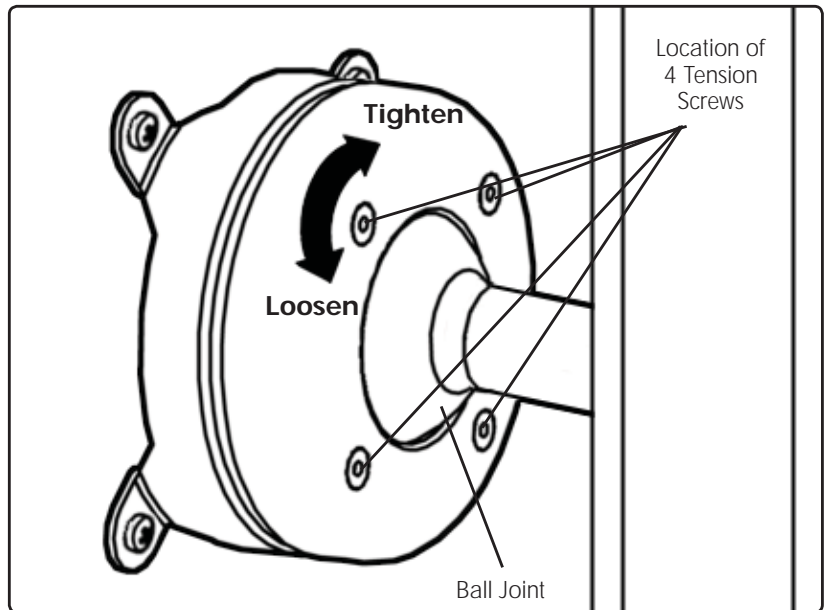


100mm(4") x 100mm(4") hole pattern

## © Adjusting the Donut Clamp Assembly

Depending on the weight of the display, it may be necessary to make adjustments to the Ball Joint Mechanism. If the display doesn't hold its position or is too resistant, adjust the four tension screws located around the Ball Joint (see diagram on the right). To make any adjustments, use the supplied 2.5 mm Allen Key.

Check the display, and then adjust again if necessary.



**Installation Complete**

