

Installation Instructions SPACEDEC

DISPLAY
Ceiling Mount

Important Notes

- The Spacedec Ceiling Mount Supports a maximum load of 11.5kgs (25lbs).
- This product only supports VESA compliant displays with 75mm x 75mm (3"x3") and 100mm x 100mm (4"x4") mounting hole patterns.
- The manufacturer does not accept responsibility for incorrect installation.

Component Checklist

<p>Ceiling Plate</p> <p>Ceiling Plate Cover</p> <p>Direct Mount</p> <p>Single Riser Assembly</p>	<p>Sold Separately</p> <p>Hanger</p> <p>Cable Wrap</p>	<p>Bits Bag</p> <p>Coach Screw (x4)</p> <p>Washer (x4)</p> <p>Cable Ties (x2)</p> <p>Masonry Plug (x4)</p> <p>M6 Nut (x2)</p> <p>Cable Wrap Applicator</p> <p>M6x50mm Bolt (x2)</p> <p>2.5mm Allen Key</p> <p>3mm Allen Key</p>	<p>Direct Mount Bits Bag (Per Direct Mount)</p> <p>Extension Clips (x4)</p> <p>Mounting Screws</p> <p>M4x10mm (x4)</p> <p>M4x12mm (x4)</p> <p>M4x16mm (x4)</p> <p>TOOLS REQUIRED:</p> <ul style="list-style-type: none"> • Power Drill • 12mm (1/2") or 7mm (1/4") Drill Bit • Socket Wrench or Shifter
--	---	--	---

A Mounting the Ceiling Plate

Masonry Ceiling

Masonry Anchor Plug

12mm (1/2") Hole

Ceiling Plate

Coach Screw

Washer

OR

Plaster Board Ceiling

Timber Beam

7mm (1/4") Hole

Plaster Board Ceiling

Washer

Coach Screw

NOTE: Ensure that all four Coach Screws are fixed directly into a structural member such as a timber beam.

B Attaching the Hanger and Riser to the Ceiling Plate

B.1.

Screw the hanger to the ceiling plate in clockwise direction. The display will face the same direction as the holes at the base of the hanger. Turn the Hanger to the preferred direction and then tighten the Grub Screw to secure its position.

Direction of Display Relative to Hanger

Ceiling Plate

Grub Screw

Tighten

Hanger

B.2.

B.3.

Hanger

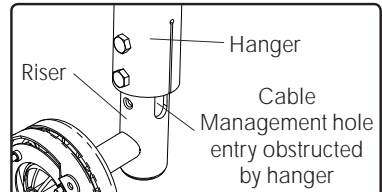
M6x55mm Bolt

M6 Nut

Riser

B.2. Before inserting the riser, slide on the Ceiling Plate Cover. Lock into place so that it covers the Ceiling Plate.

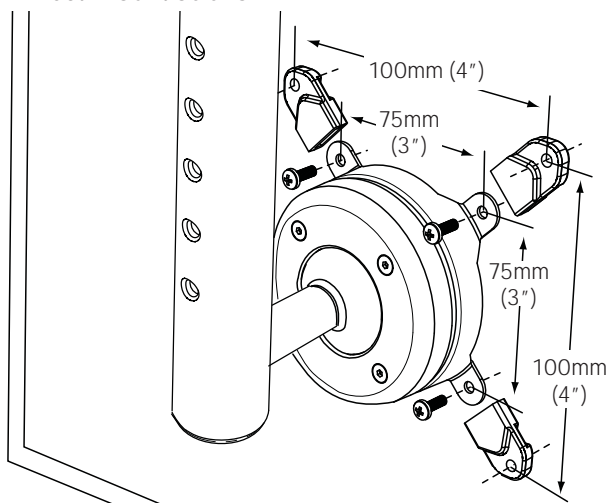
B.3. Insert the riser into the Hanger at the desired height and secure the riser in position using the two M6x55mm Bolts and M6 Nuts.



NOTE: If you intend to use the internal cable management feature, it is important that you ensure the riser is not retracted to its full limit as the hanger will obstruct the entry to the cable management hole.

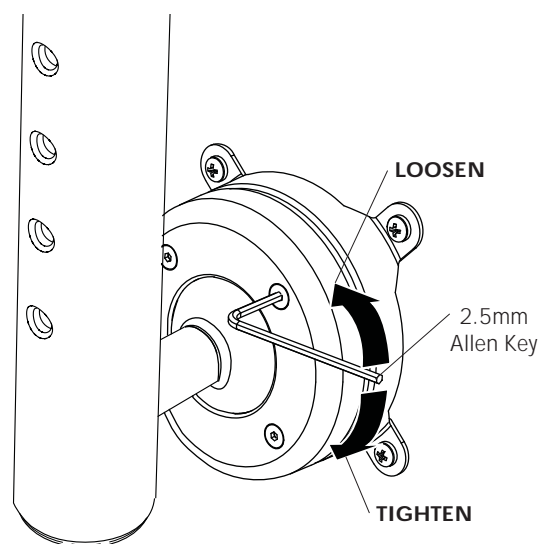
C Attaching VESA Compliant Display

Use the appropriate Mounting screws to attach the display to the Direct Mount as shown.



Note: Extension clips are included to suit VESA 100mm x 100mm (4"x4") mounting hole patterns. Ensure that the flat side of each Extension Clip sits against the back of the display.

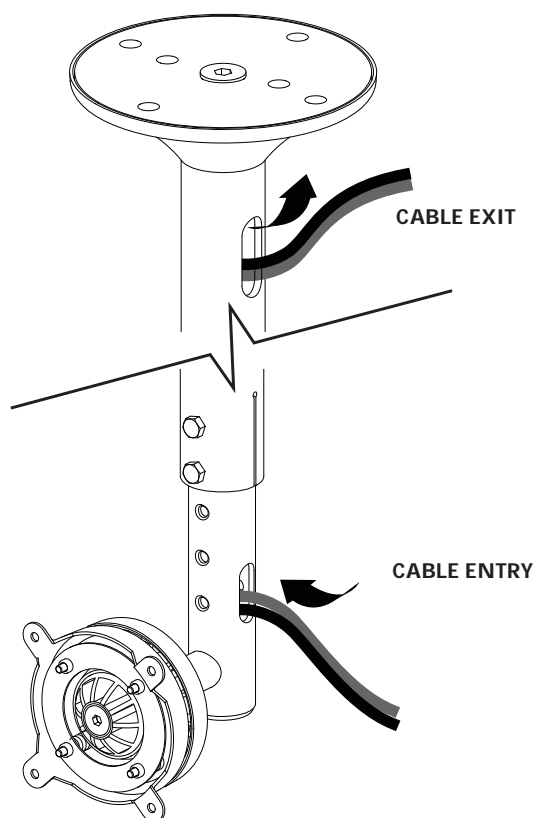
D Adjust Ball Joint Mechanism



Adjust the Ball Joint Mechanism to suit the weight of your display. Tighten or loosen screws evenly with the supplied 2.5mm Allen Key, at 1/4 turn at a time

E Cable Management Options

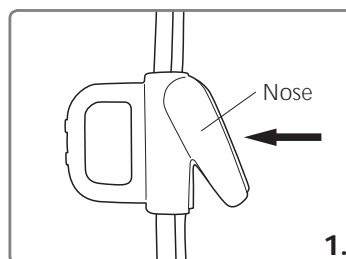
Internal Cable Management



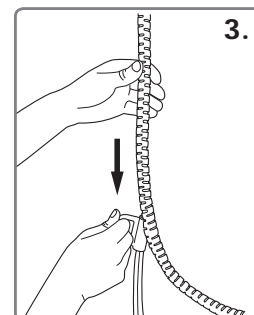
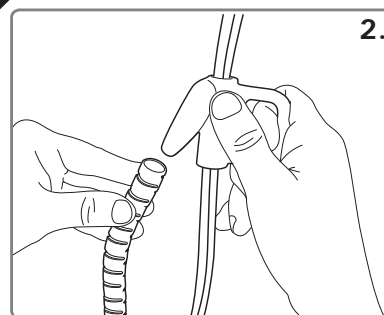
For internal cable management, feed the cables through the cable entry slot and out through the exit.

NOTE: For demonstration purposes the display has been omitted from the above image.

External Cable Management



Feed the cables into the Cable Wrap Applicator.



Insert the nose of the Applicator into the Cable Wrap ensuring that the opening edges of the Cable Wrap Face towards the nose. Pull the Applicator down the length of the Cable Wrap as shown above.

Once Cables are securely contained in the Cable Wrap, use the two supplied Cable Ties to attach to the outside of the Hanger and Riser

