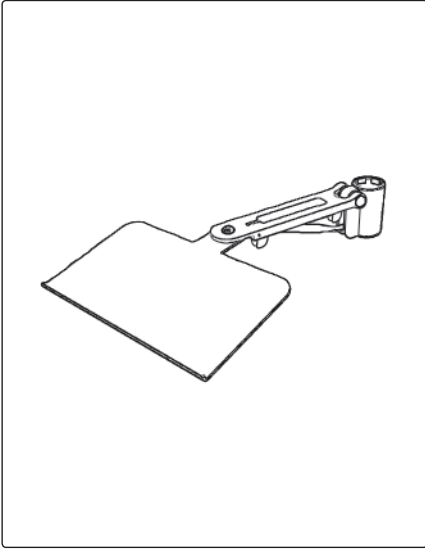


Technical Specifications

SPACEDEC®

ACROBAT ACCESSORY HOLDER

A General Features



PLEASE NOTE:

- The Accessory Holder is designed to provide a platform for you to rest your keyboard on.

It is not intended for use as a keyboard support when the keyboard is being used (ie typed on).

- The Spacedec Acrobat Accessory Holder is designed to be used in combination with an existing spacedec Acrobat Swing Arm.

Cable Management:

Cable Clips (included in package)

Colours:

Silver or Black Powder Coat and Polished Aluminium

Warranty:

5 years limited

Maximum weight:

5kg (11lbs)

B Overall Dimensions

