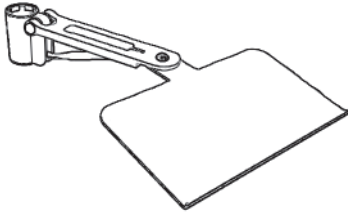


Installation Instructions

SPACEDEC

ACROBAT ACCESSORY HOLDER

Component Checklist



Accessory Holder Assembly (x1)



Cable Clip (x2)

PLEASE NOTE:

- The Accessory Holder is designed to provide a platform for you to rest your keyboard on.

It is not intended for use as a keyboard support when the keyboard is being used (ie. typed on)

- The Spacedec Acrobat Accessory Holder is designed to be used in combination with an existing Spacedec Acrobat Swing Arm.
- Disconnect and detach your display before installing the Accessory Holder.
- Maximum Weight: 5kg (11lbs)

A Check Components

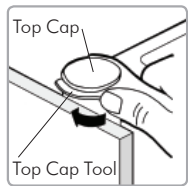
A.1. Check you have received all parts against the Component Checklist above.

B Installing the Accessory Holder

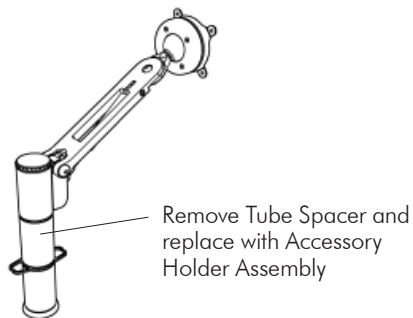
B.1. Disassemble the existing Spacedec Acrobat Swing Arm Post and remove one of the Tube Spacers as shown in diagram B.1.1. You may need to use the Top Cap tool included with your Spacedec Acrobat Swing Arm to untighten/tighten the top cap.

B.2. Replace the Spacer Tube with the Accessory Holder Assembly and Reassemble the Spacedec Acrobat Swing Arm as shown in diagram B.2.1.

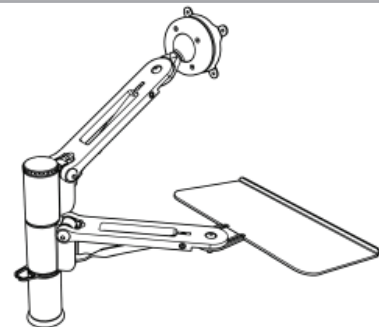
B.3. Reattach the display as per the existing Spacedec Bracket's Installation Instructions.



B.1.1. Existing Spacedec Bracket



Remove Tube Spacer and replace with Accessory Holder Assembly

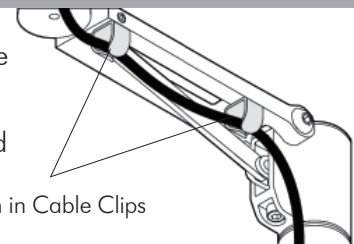


B.2.1. Spacedec Acrobat Swing Arm with Accessory Holder

C Cable Management

C.1. Insert the supplied Cable Management clips into the two small holes on the underside of the Accessory Holder's Arm as shown to the right.

C.2. Ensure that there is sufficient cabling at the end of the arm so cables are not stretched or pulled out when the Holder is moved. Cables are positioned into the Cable Clips as shown.



Push in Cable Clips

